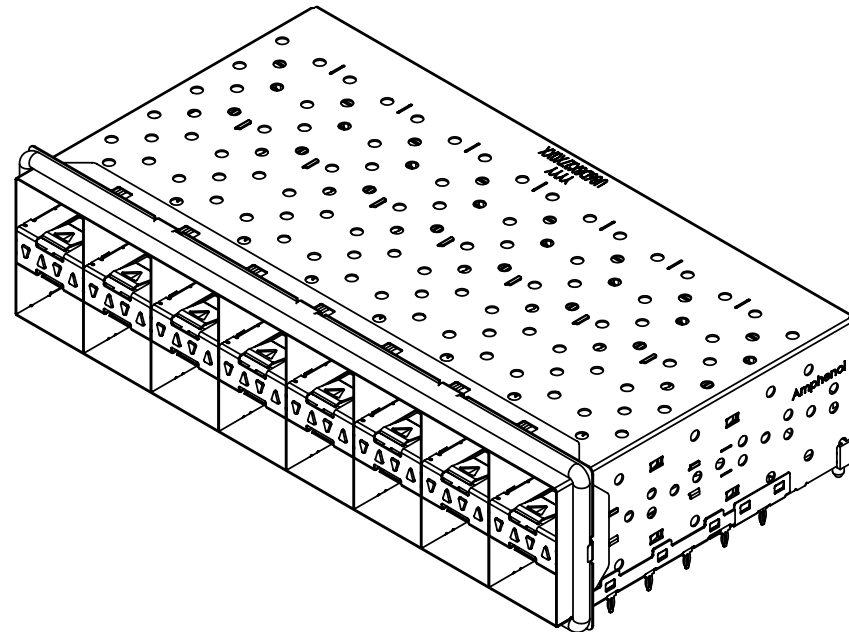
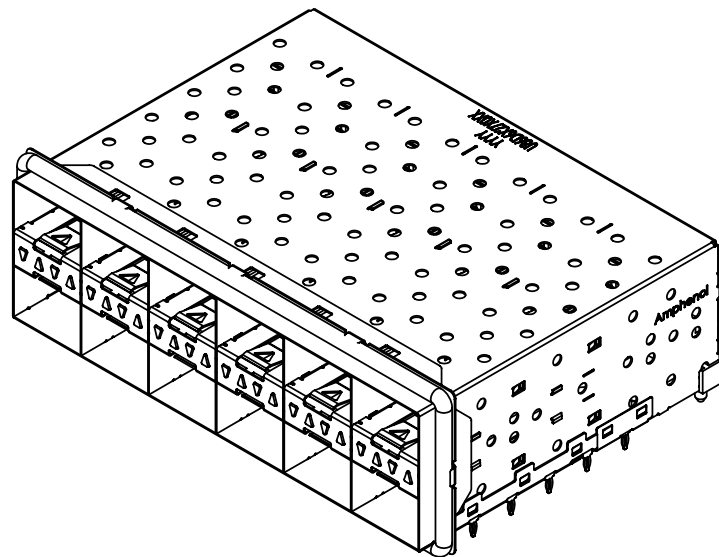
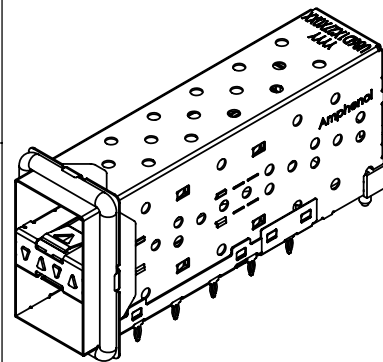
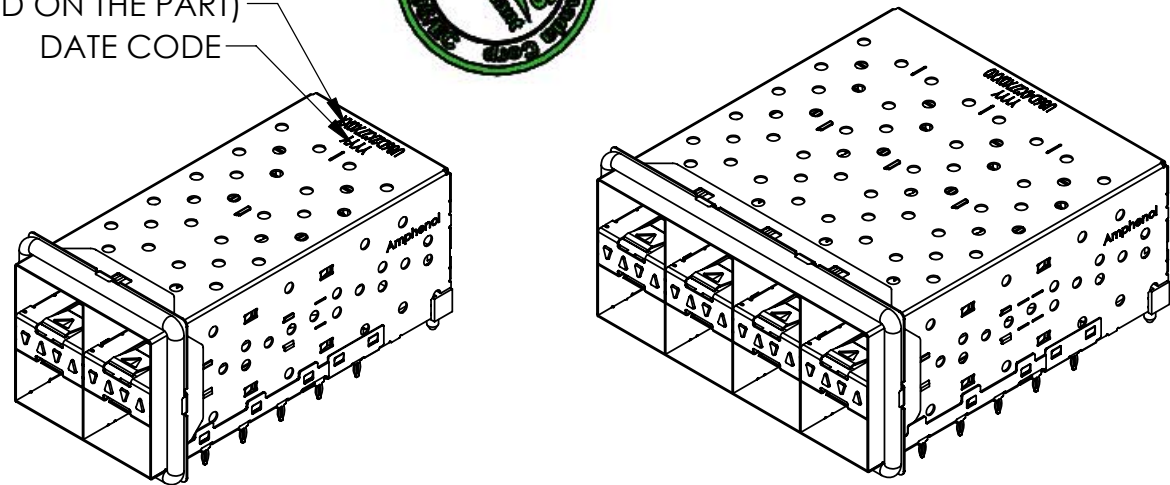
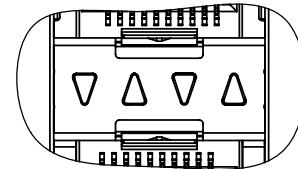


PART NUMBER  
(LAST DIGIT INDICATING  
PACKAGING TYPE, NOT  
PRINTED ON THE PART)  
DATE CODE

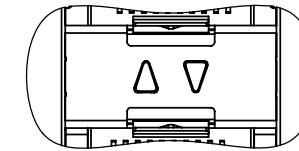


REVISIONS				
REV.	ECN	DESCRIPTION	DATE	APPROVED
G		LIGHT PIPE CONFIGURATION ADDED	MAY21/09	
E		PART NUMBERS ADDED	JUL27/09	
J		ADD 2X1 AND 2X8	AUG31/10	

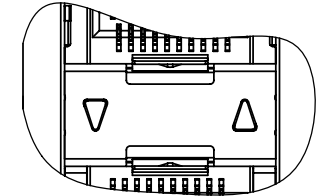
**LIGHT PIPE CONFIGURATIONS**



U86-DX427-10XX1  
(4 LIGHT PIPES PER 2X1)



U86-DX427-20XX1  
(2 INNER LIGHT PIPES PER 2X1)



U86-DX427-30XX1  
(2 OUTER LIGHT PIPES PER 2X1)

MATERIAL: (RoHS COMPLIANT)

CAGE - PRESS FIT:  
COPPER ALLOY  
PLATING:  
SEE AMPHENOL PART NUMBER  
CONFIGURATION FOR OPTIONS.

CONNECTOR - PRESS FIT:  
PLASTIC HOUSING:  
LCP,  
FLAMMABILITY RATING UL94-0.

CONTACTS:  
PHOSPHOR BRONZE  
PLATING OPTION:  
NICKEL 2.54 µm MIN.

LIGHT PIPE:  
CLEAR POLYCARBONATE, FLAMMABILITY  
RATING UL94-0.

PACKAGING:  
TRAY PACKAGING.  
TEMPERATURE RANGE:  
-40°C TO +85°C

**AMPHENOL PART NUMBER CONFIGURATION**

U86 - D X 4 2 7 - X 0 X X 1

**NUMBER OF PORTS**

- 1 = 2X1
- 2 = 2X2
- 4 = 2X4
- 6 = 2X6
- 8 = 2X8

**LIGHT PIPE CONFIGURATIONS**

- 1 = 4 LIGHT PIPES PER 2X1
- 2 = 2 INNER LIGHT PIPES PER 2X1
- 3 = 2 OUTER LIGHT PIPES PER 2X1

**PACKAGING**

- 1 = TRAY
- 2 = NICKEL

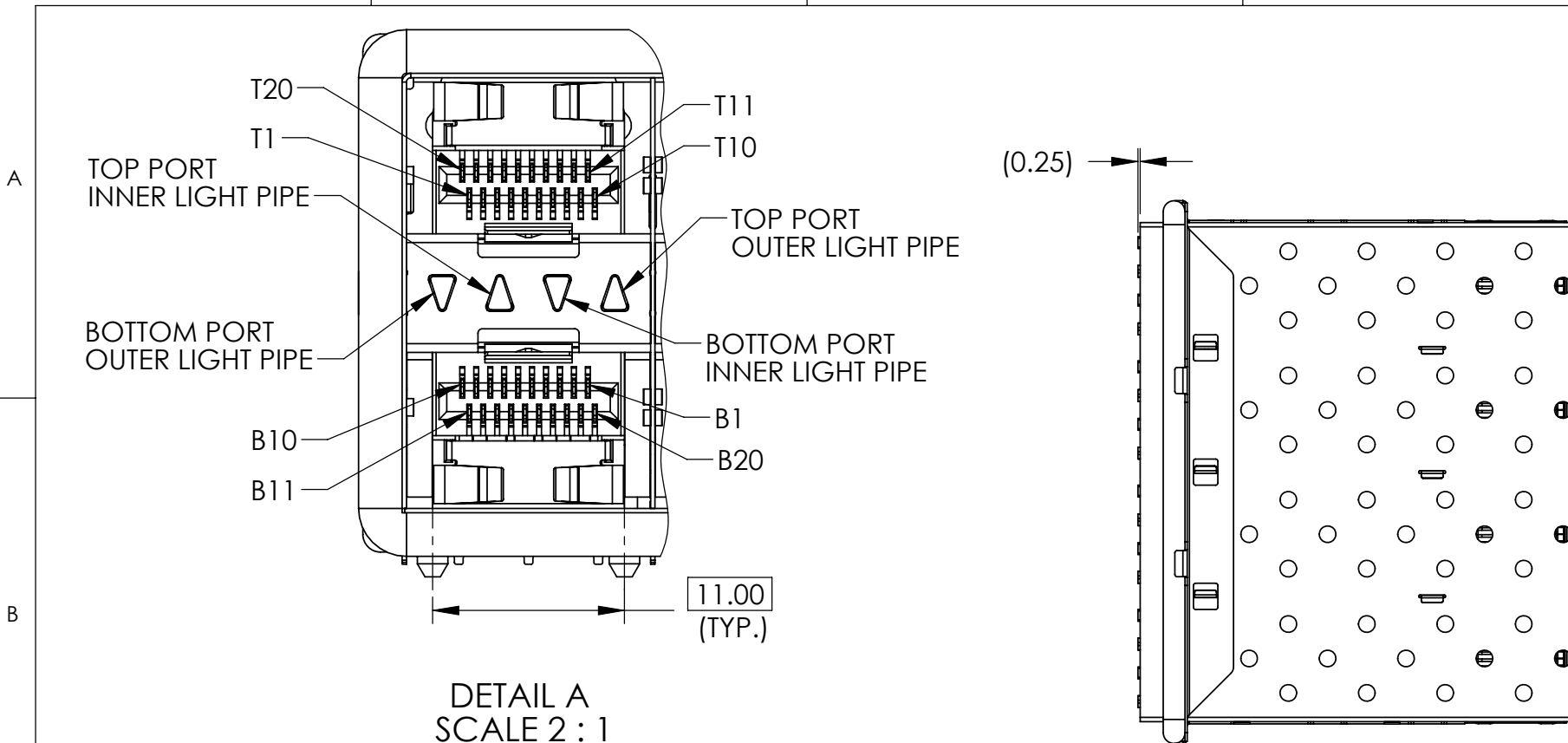
**PRESS FIT CONNECTOR PLATING**

- 1 = 0.76 µm MIN. GOLD ON MATING AREA  
3.81-7.62 µm TIN/LEAD ON TERMINATION
- 4 = 0.38 µm MIN. GOLD ON MATING AREA  
3.81-7.62 µm TIN/LEAD ON TERMINATION

**DO NOT SCALE DRAWING**

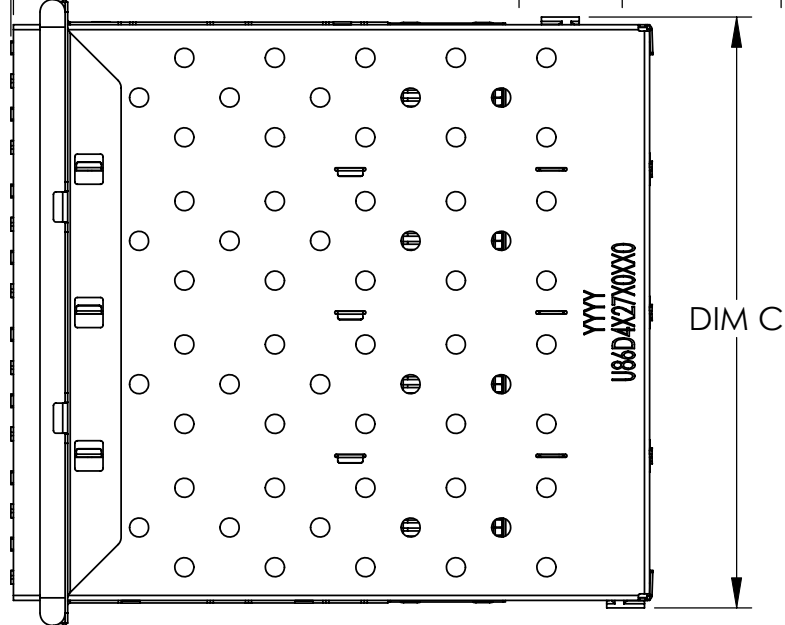
THIS DOCUMENT CONTAINS PROPRIETARY INFORMATION AND SUCH INFORMATION MAY NOT BE DISCLOSED TO OTHERS FOR ANY PURPOSE OR USED FOR MANUFACTURING PURPOSES WITHOUT PERMISSION FROM AMPHENOL CANADA CORP.

UNLESS OTHERWISE SPECIFIED DIMENSIONS ARE IN MILLIMETERS TOLERANCES ARE: DECIMALS ANGLES X.X ± 0.25 ± 1° X.XX ± 0.15	<b>APPROVALS</b>	<b>DATE</b>	<b>Amphenol Canada Corp.</b> TITLE 2XN SFP+ EXPRESSPORT™ COMBO WITH LIGHT PIPE (ELASTOMERIC GASKET)	
	DRAWN B.PHAM	AUG31/10		
	DESIGNED J.SI	FEB23/09		
	CHECKED X	X		
MATERIAL AND FINISH N/A	QA APPD X	X	SIZE A4	DWG. NO. P-U86-DX427-X0XX1
REF. X	IE APP'D X	X	SCALE 2:3	PROJECT
CODE IDENT. NO. 03554	DWG APP'D		SHEET 1 OF 8	

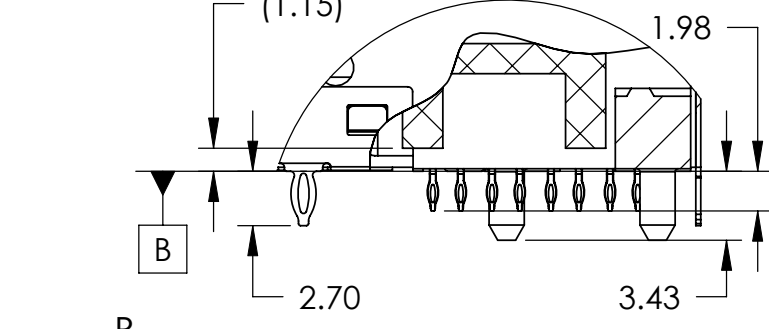
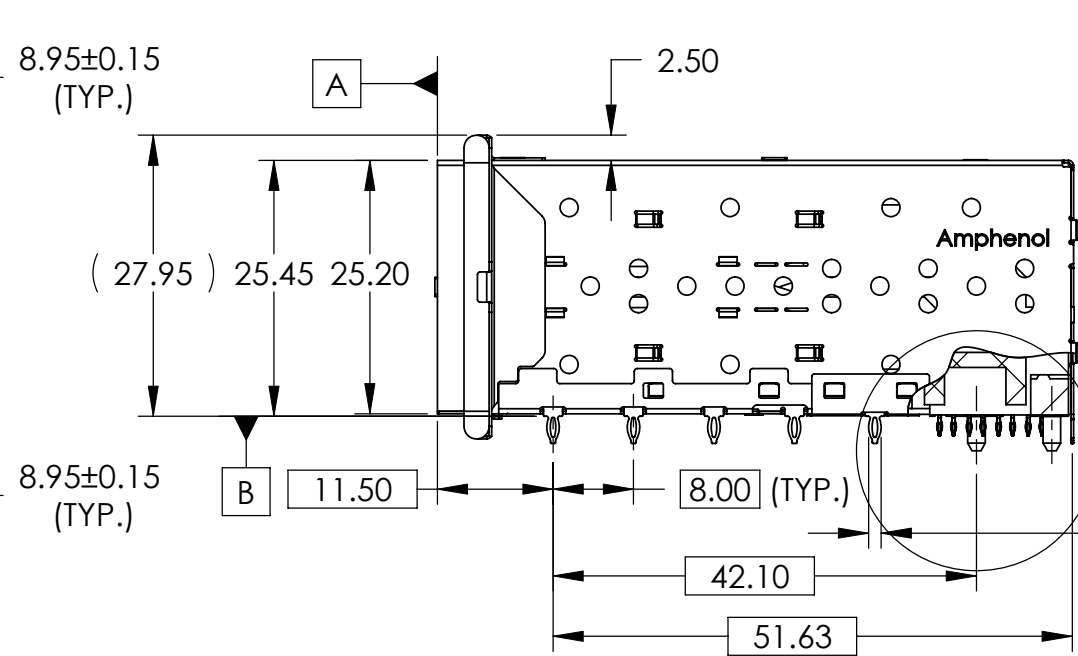
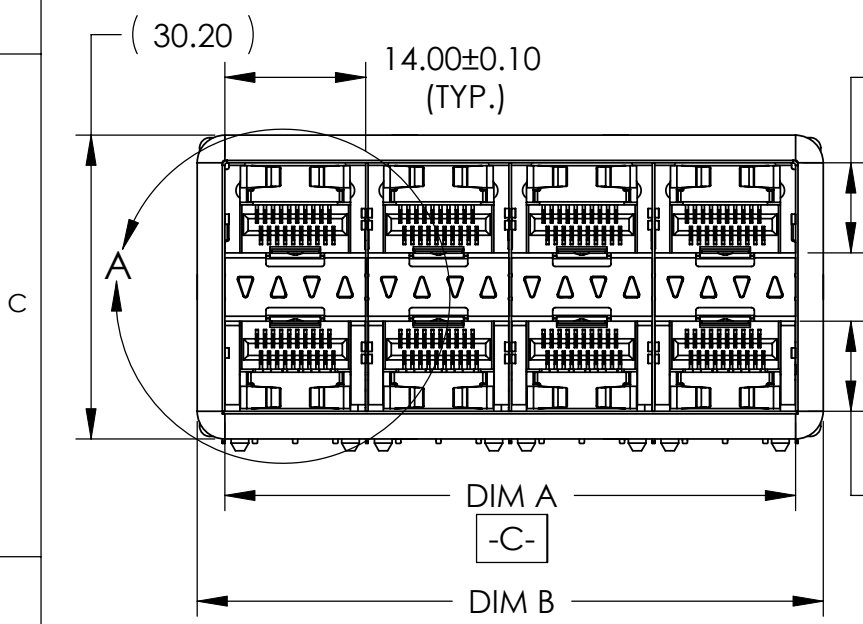


DETAIL A  
SCALE 2 : 1

REVISIONS				
REV.	ECN	DESCRIPTION	DATE	APPROVED
G		LIGHT PIPE CONFIGURATION ADDED	MAY21/09	
H		PART NUMBERS UPDATED	JUL27/09	
J		ADD 2X1 AND 2X8	AUG31/10	



SFP COMBO	DIMA	DIM B	DIM C
2X1 SFP	14.00	19.50	16.00
2X2 SFP	28.25	33.75	30.25
2X4 SFP	56.75	62.25	58.75
2X6 SFP	85.25	90.75	87.25
2X8 SFP	113.75	119.25	115.75



DETAIL B  
SCALE 2 : 1

**DO NOT SCALE DRAWING**

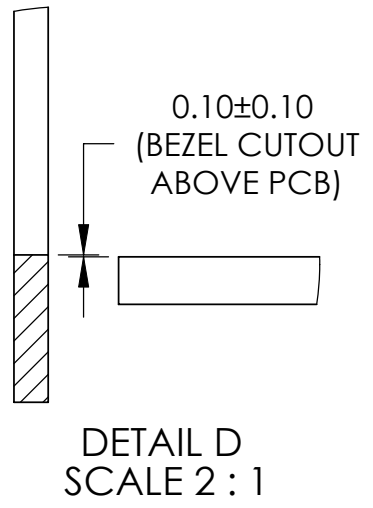
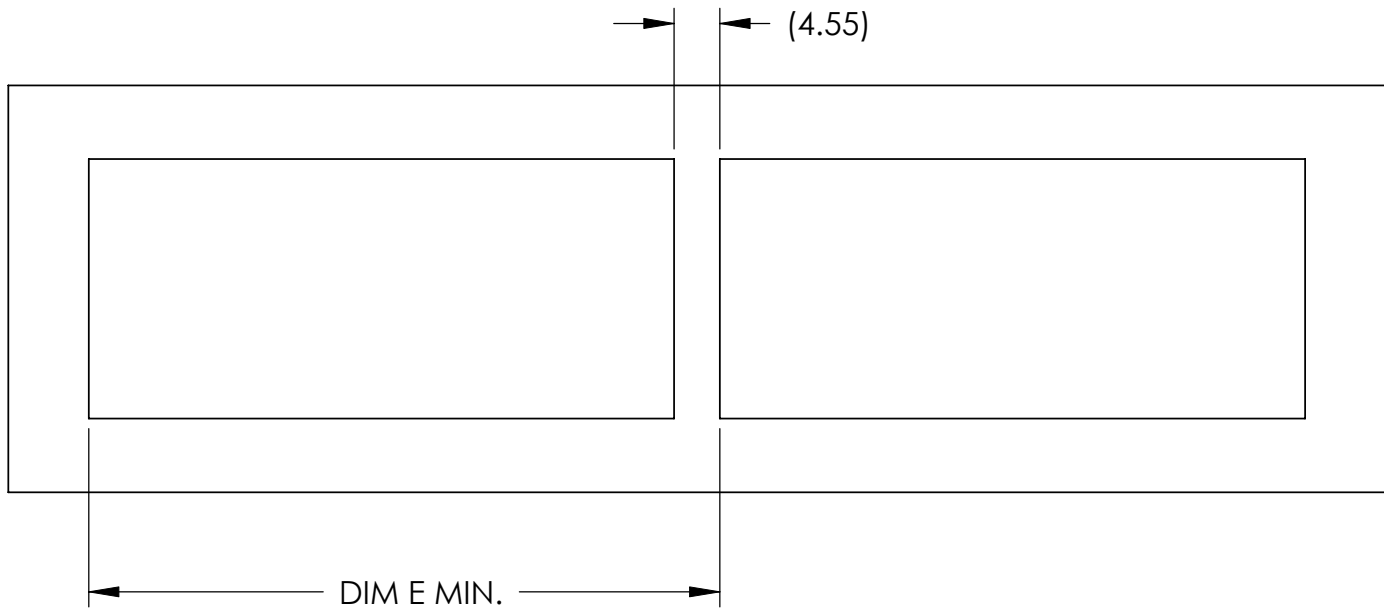
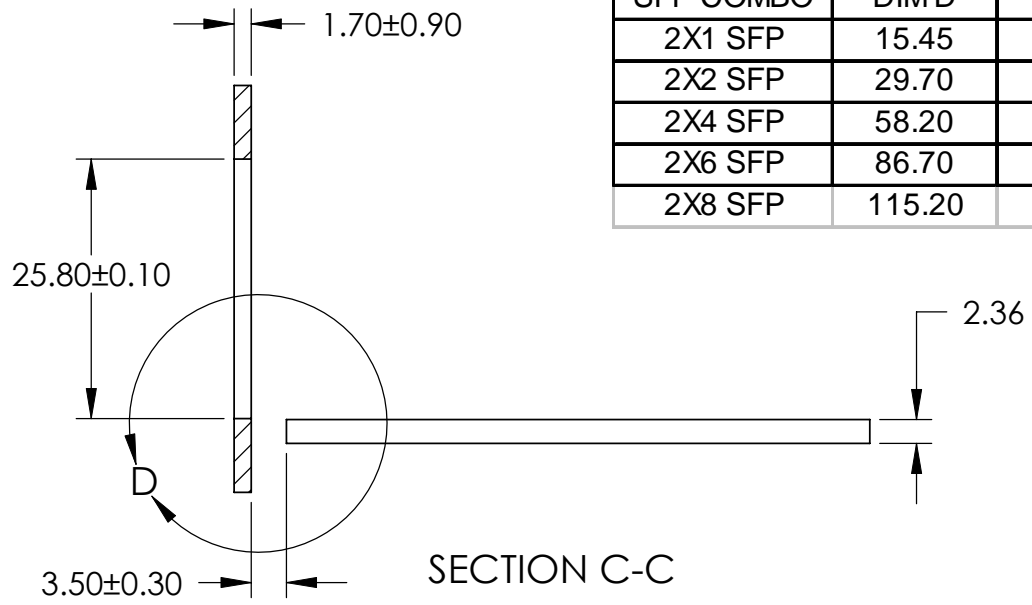
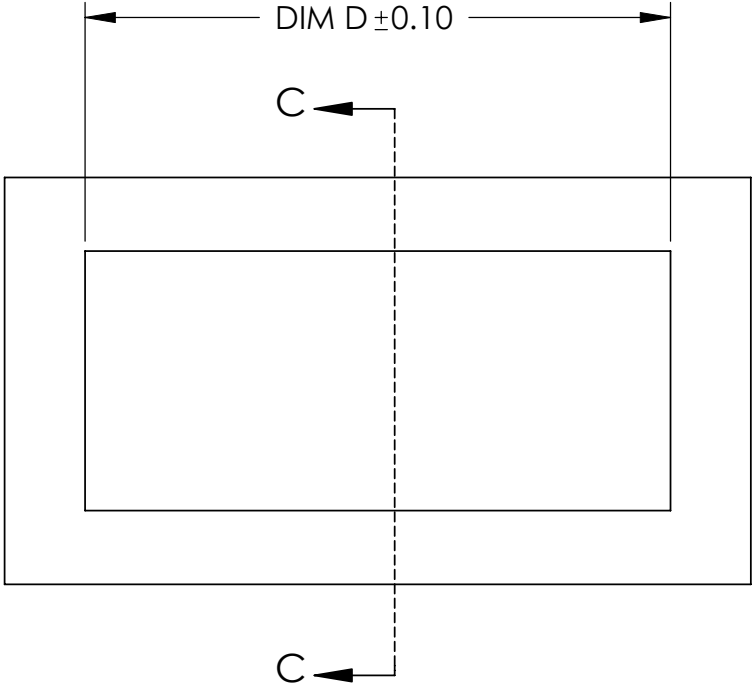
THIS DOCUMENT CONTAINS PROPRIETARY INFORMATION AND SUCH INFORMATION MAY NOT BE DISCLOSED TO OTHERS FOR ANY PURPOSE OR USED FOR MANUFACTURING PURPOSES WITHOUT PERMISSION FROM AMPHENOL CANADA CORP.

UNLESS OTHERWISE SPECIFIED DIMENSIONS ARE IN MILLIMETERS TOLERANCES ARE: DECIMALS ANGLES X.X ± 0.25 ± 1° X.XX ± 0.15	<b>APPROVALS</b>	<b>DATE</b>
	DRAWN B.PHAM	AUG31/10
	DESIGNED J.SI	FEB23/09
	CHECKED X	X
	QA APPD X	X
MATERIAL AND FINISH N/A	IE APP'D X	X
REF. X	DWG APP'D	
CODE IDENT. NO. 03554		

<b>Amphenol Canada Corp.</b>	
TITLE	2XN SFP+ EXPRESSPORT™ COMBO WITH LIGHT PIPE (ELASTOMERIC GASKET)
SIZE A4	DWG. NO. P-U86-DX427-X0XX1
SCALE 1:1	PROJECT SHEET 2 OF 8

REVISIONS				
REV.	ECN	DESCRIPTION	DATE	APPROVED
G		LIGHT PIPE CONFIGURATION ADDED	MAY21/09	
H		PART NUMBERS ADDED	JUL27/09	
J		ADD 2X1 AND 2X8	AUG31/10	

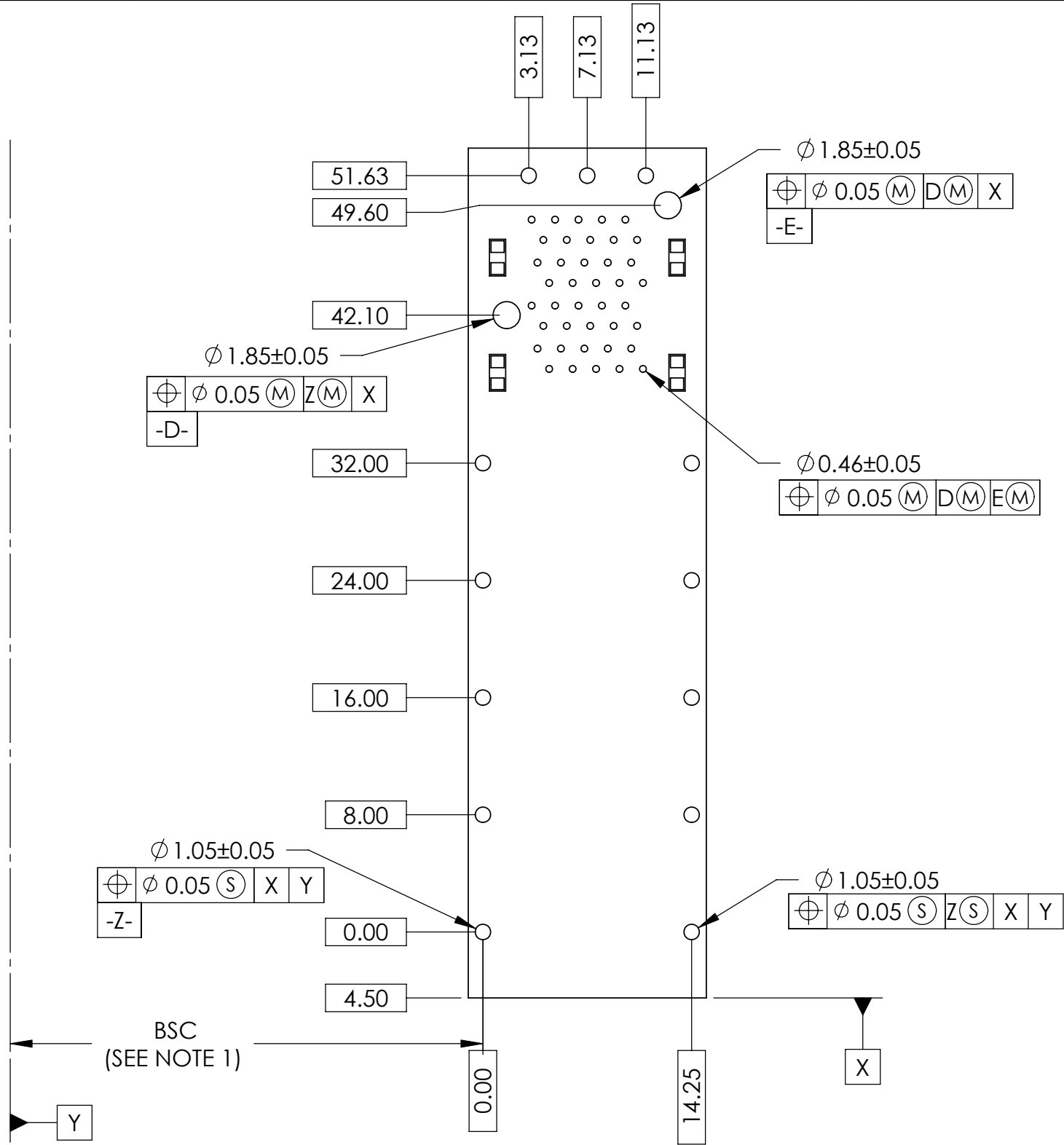
SFP COMBO	DIM D	DIM E
2X1 SFP	15.45	20.95
2X2 SFP	29.70	35.20
2X4 SFP	58.20	63.70
2X6 SFP	86.70	92.20
2X8 SFP	115.20	120.70



**DO NOT SCALE DRAWING**  
 THIS DOCUMENT CONTAINS PROPRIETARY INFORMATION AND SUCH INFORMATION MAY NOT BE DISCLOSED TO OTHERS FOR ANY PURPOSE OR USED FOR MANUFACTURING PURPOSES WITHOUT PERMISSION FROM AMPHENOL CANADA CORP.

UNLESS OTHERWISE SPECIFIED DIMENSIONS ARE IN MILLIMETERS TOLERANCES ARE: DECIMALS ANGLES X.X ± 0.25 ± 1° X.XX ± 0.15	<b>APPROVALS</b>	<b>DATE</b>	<b>Amphenol Canada Corp.</b>	
	DRAWN B.PHAM	AUG31/10		
MATERIAL AND FINISH N/A	DESIGNED J.SI	FEB23/09	TITLE 2XN SFP+ EXPRESSPORT™ COMBO WITH LIGHT PIPE (ELASTOMERIC GASKET)	
	CHECKED X	X		
REF. X	QA APP'D X	X	SIZE A4	DWG. NO. P-U86-DX427-X0XX1
	IE APP'D X	X	SCALE 1:1	PROJECT
CODE IDENT. NO. 03554	DWG APP'D		SHEET 3 OF 8	REV. J

REVISIONS				
REV.	ECN	DESCRIPTION	DATE	APPROVED
G		LIGHT PIPE CONFIGURATION ADDED	MAY21/09	
H		PART NUMBERS ADDED	JUL27/09	
J		ADD 2X1 AND 2X8	AUG31/10	



- NOTES:
- DATUM AND BASIC DIMENSIONS ESTABLISHED BY CUSTOMER.
  - 1.05 mm DIAMETER HOLES ARE CHASSIS GROUND (13 HOLES).

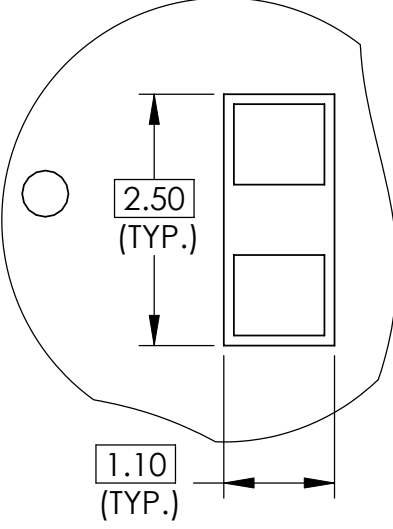
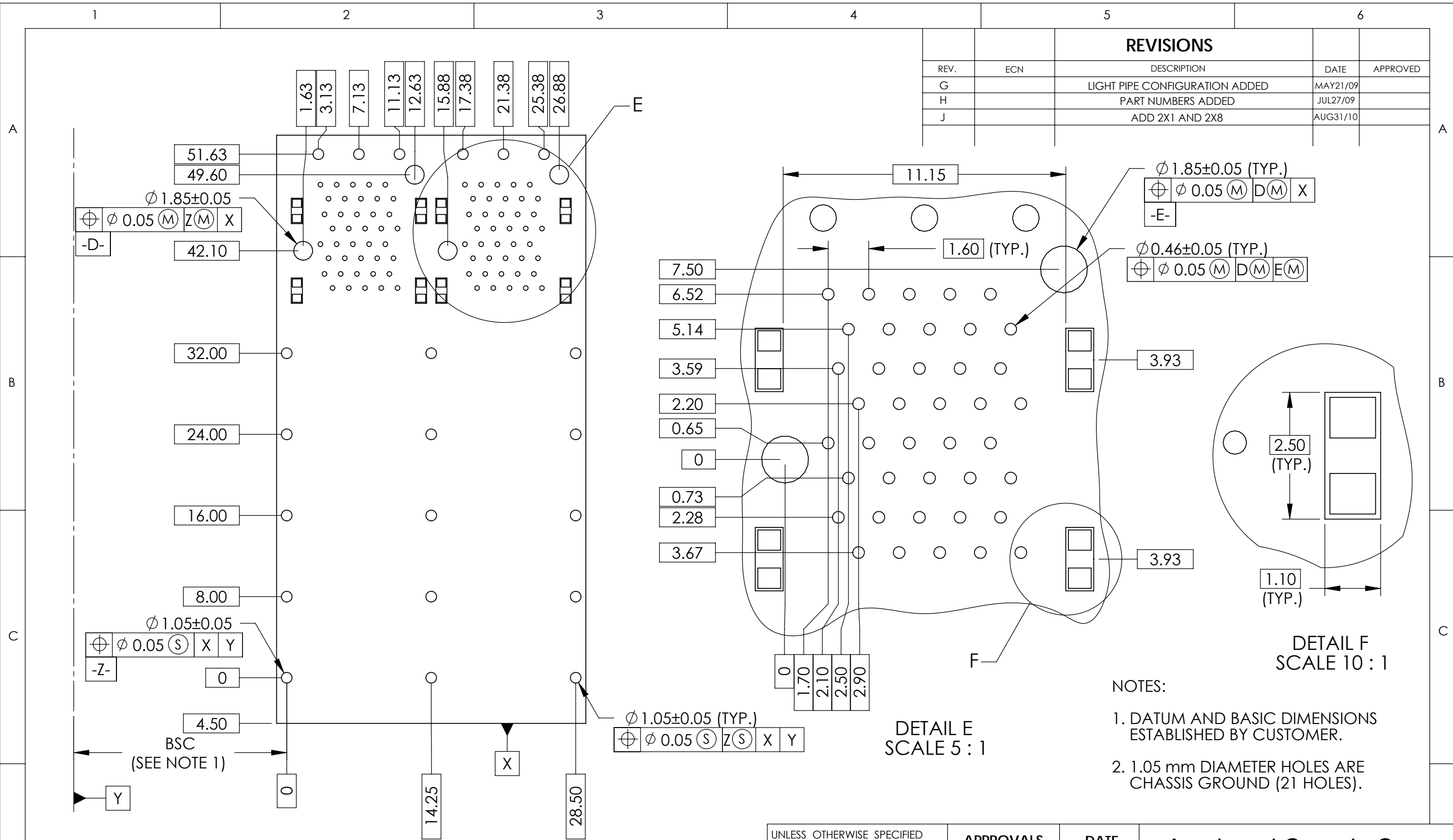
**2X1 PCB LAYOUT**

**DO NOT SCALE DRAWING**

THIS DOCUMENT CONTAINS PROPRIETARY INFORMATION AND SUCH INFORMATION MAY NOT BE DISCLOSED TO OTHERS FOR ANY PURPOSE OR USED FOR MANUFACTURING PURPOSES WITHOUT PERMISSION FROM AMPHENOL CANADA CORP.

UNLESS OTHERWISE SPECIFIED DIMENSIONS ARE IN MILLIMETERS TOLERANCES ARE: DECIMALS ANGLES X.X ± 0.25 ± 1° X.XX ± 0.15	<b>APPROVALS</b>		<b>DATE</b>		<b>Amphenol Canada Corp.</b>		
	DRAWN	B.PHAM	AUG31/10				
	DESIGNED	J.SI	FEB23/09		TITLE 2XN SFP+ EXPRESSPORT™ COMBO WITH LIGHT PIPE (ELASTOMERIC GASKET)		
	CHECKED	X	X				
MATERIAL AND FINISH	N/A		QA APP'D	X	SIZE A4 DWG. NO. P-U86-DX427-X0XX1 REV. J		
REF.	X		IE APP'D	X			
CODE IDENT. NO.	03554		DWG APP'D				

REVISIONS				
REV.	ECN	DESCRIPTION	DATE	APPROVED
G		LIGHT PIPE CONFIGURATION ADDED	MAY21/09	
H		PART NUMBERS ADDED	JUL27/09	
J		ADD 2X1 AND 2X8	AUG31/10	



DETAIL E  
SCALE 5:1

DETAIL F  
SCALE 10:1

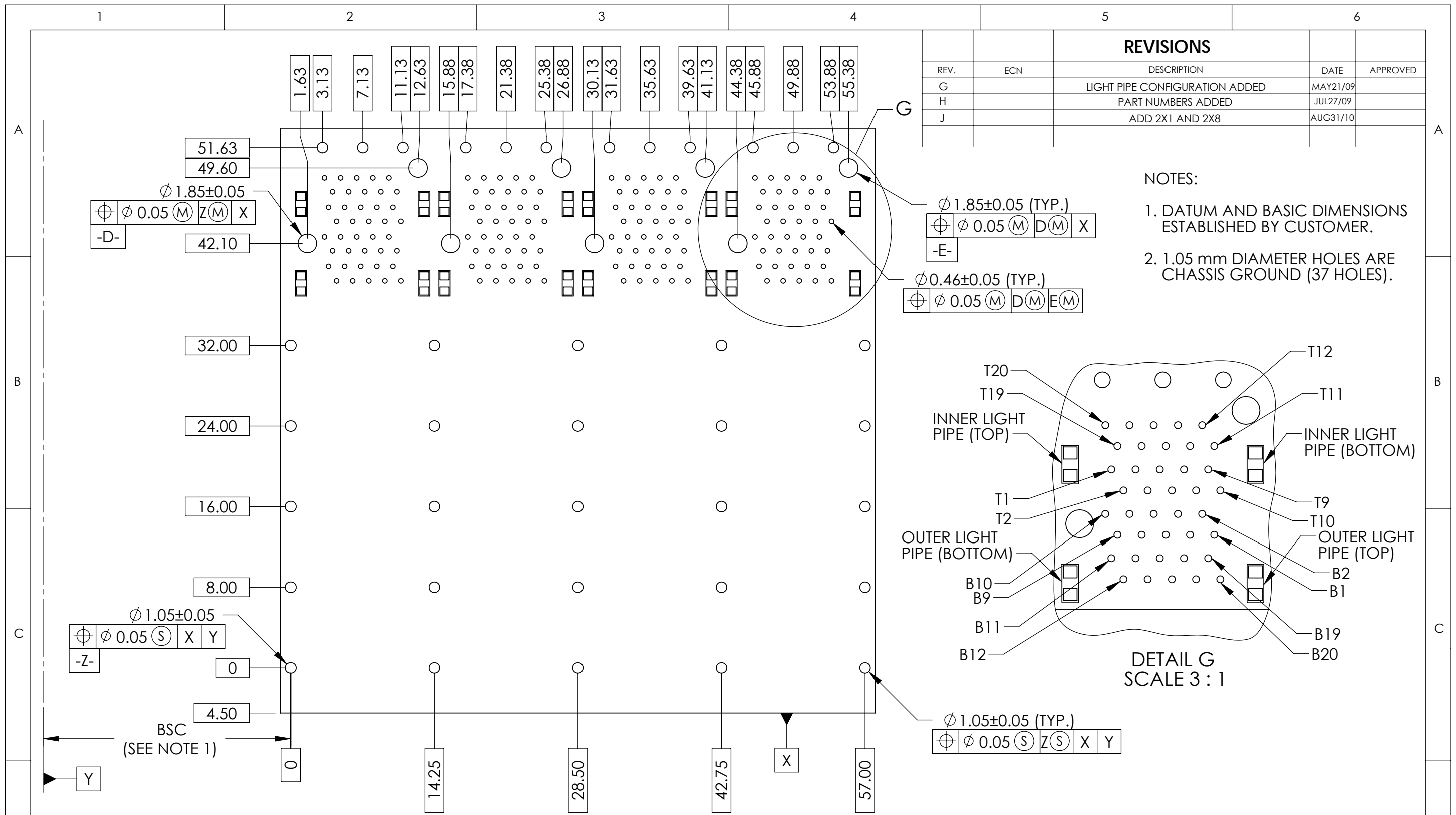
- NOTES:
1. DATUM AND BASIC DIMENSIONS ESTABLISHED BY CUSTOMER.
  2. 1.05 mm DIAMETER HOLES ARE CHASSIS GROUND (21 HOLES).

2X2 PCB LAYOUT

**DO NOT SCALE DRAWING**

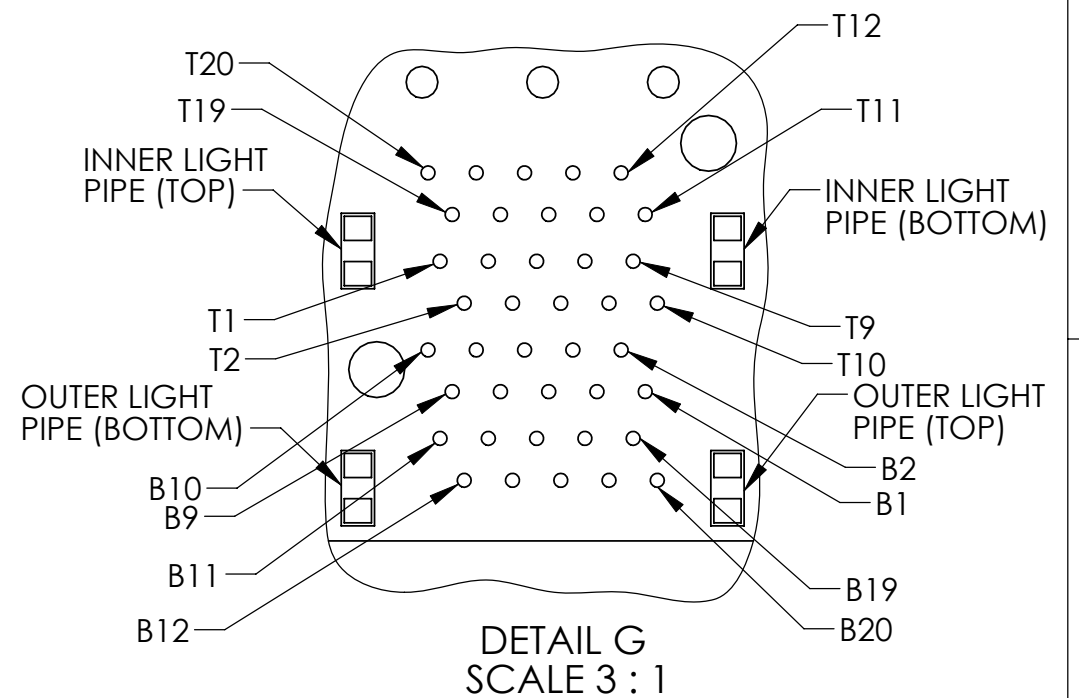
THIS DOCUMENT CONTAINS PROPRIETARY INFORMATION AND SUCH INFORMATION MAY NOT BE DISCLOSED TO OTHERS FOR ANY PURPOSE OR USED FOR MANUFACTURING PURPOSES WITHOUT PERMISSION FROM AMPHENOL CANADA CORP.

UNLESS OTHERWISE SPECIFIED DIMENSIONS ARE IN MILLIMETERS TOLERANCES ARE: DECIMALS X.X ± 0.25 ANGLES ± 1° MATERIAL AND FINISH N/A REF. X CODE IDENT. NO. 03554	<b>APPROVALS</b>	<b>DATE</b>	<b>Amphenol Canada Corp.</b>
	DRAWN B.PHAM DESIGNED J.SI CHECKED X QA APPD X IE APP'D X DWG APP'D	AUG31/10 FEB23/09 X X X	
		SIZE A4 SCALE 2:1	DWG. NO. P-U86-DX427-X0XX1 PROJECT REV. J SHEET 5 OF 8



REVISIONS				
REV.	ECN	DESCRIPTION	DATE	APPROVED
G		LIGHT PIPE CONFIGURATION ADDED	MAY21/09	
H		PART NUMBERS ADDED	JUL27/09	
J		ADD 2X1 AND 2X8	AUG31/10	

- NOTES:
- DATUM AND BASIC DIMENSIONS ESTABLISHED BY CUSTOMER.
  - 1.05 mm DIAMETER HOLES ARE CHASSIS GROUND (37 HOLES).



2X4 PCB LAYOUT

DO NOT SCALE DRAWING

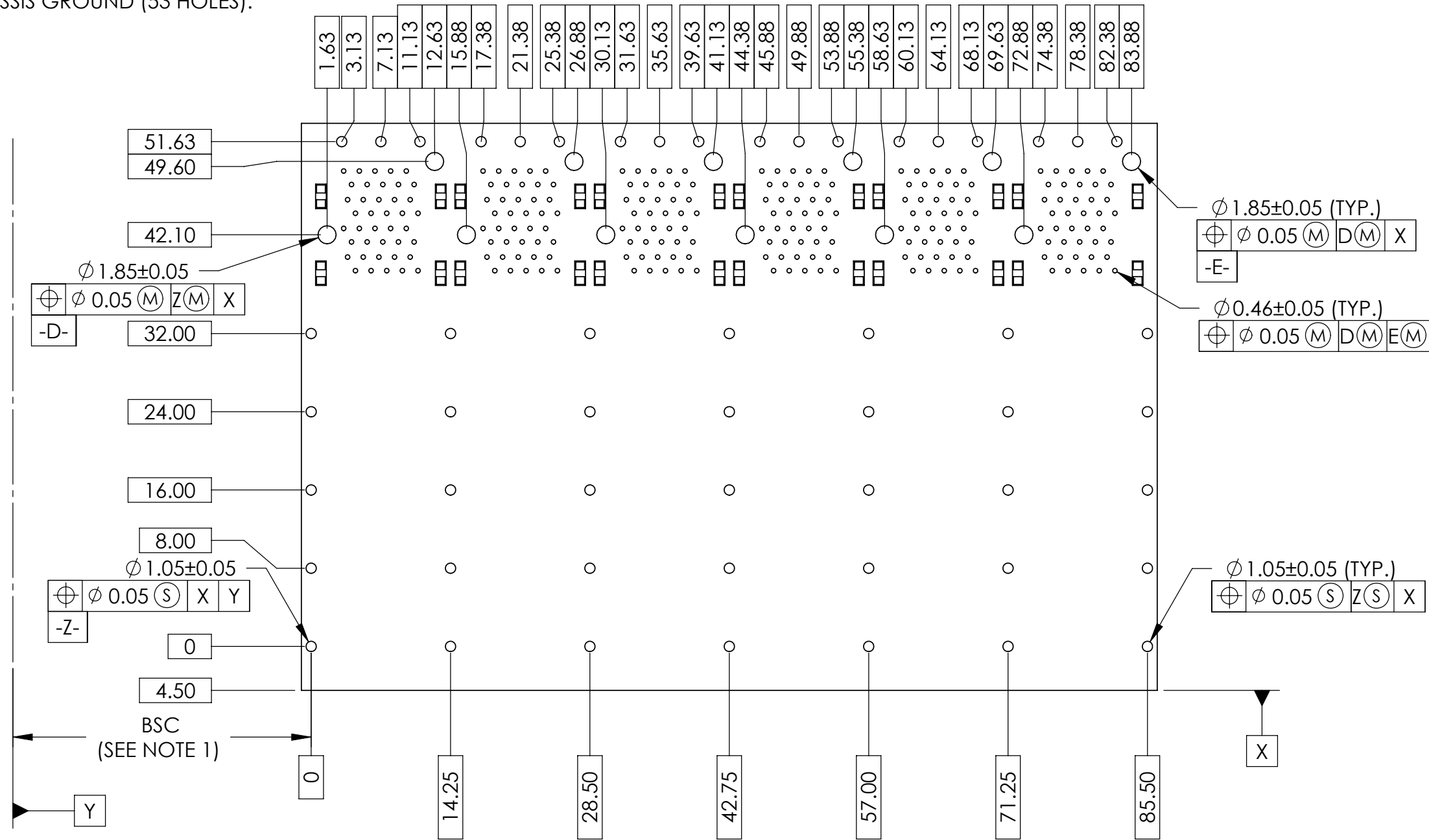
THIS DOCUMENT CONTAINS PROPRIETARY INFORMATION AND SUCH INFORMATION MAY NOT BE DISCLOSED TO OTHERS FOR ANY PURPOSE OR USED FOR MANUFACTURING PURPOSES WITHOUT PERMISSION FROM AMPHENOL CANADA CORP.

UNLESS OTHERWISE SPECIFIED DIMENSIONS ARE IN MILLIMETERS TOLERANCES ARE: DECIMALS ANGLES X.X ± 0.25 ± 1° X.XX ± 0.15	APPROVALS	DATE	Amphenol Canada Corp.	
	DRAWN B.PHAM	AUG31/10		
	DESIGNED J.SI	FEB23/09	TITLE	2XN SFP+ EXPRESSPORT™ COMBO WITH LIGHT PIPE (ELASTOMERIC GASKET)
	CHECKED X	X	SIZE A4	
MATERIAL AND FINISH N/A	QA APP'D X	X	DWG. NO. P-U86-DX427-X0XX1	REV. J
REF. X	IE APP'D X	X	SCALE 2:1	SHEET 6 OF 8
CODE IDENT. NO. 03554	DWG APP'D		PROJECT	

NOTES:

- DATUM AND BASIC DIMENSIONS ESTABLISHED BY CUSTOMER.
- 1.05 mm DIAMETER HOLES ARE CHASSIS GROUND (53 HOLES).

REVISIONS				
REV.	ECN	DESCRIPTION	DATE	APPROVED
G		LIGHT PIPE CONFIGURATION ADDED	MAY21/09	
H		PART NUMBERS ADDED	JUL27/09	
J		ADD 2X1 AND 2X8	AUG31/10	



2X6 PCB LAYOUT

**DO NOT SCALE DRAWING**

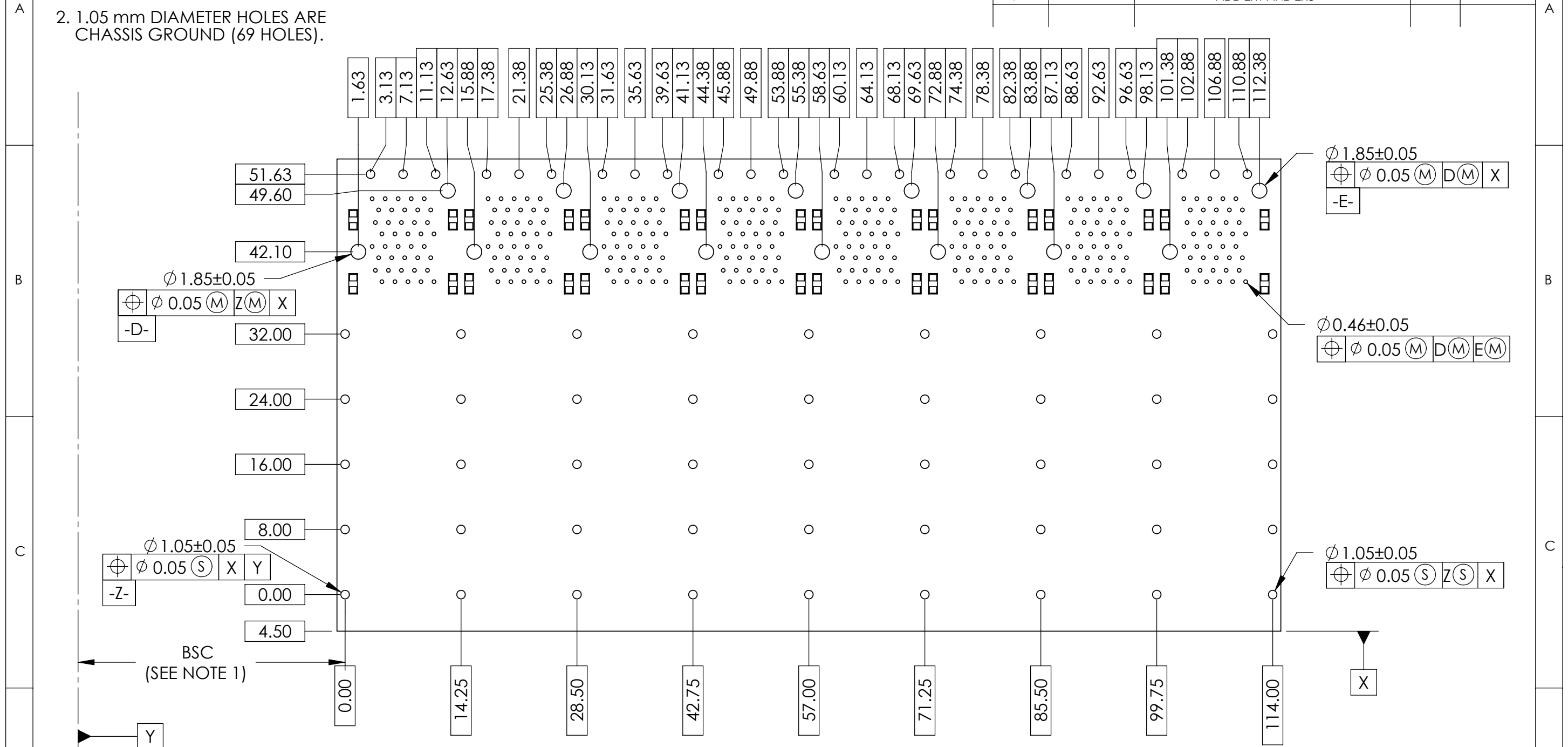
THIS DOCUMENT CONTAINS PROPRIETARY INFORMATION AND SUCH INFORMATION MAY NOT BE DISCLOSED TO OTHERS FOR ANY PURPOSE OR USED FOR MANUFACTURING PURPOSES WITHOUT PERMISSION FROM AMPHENOL CANADA CORP.

UNLESS OTHERWISE SPECIFIED DIMENSIONS ARE IN MILLIMETERS TOLERANCES ARE:		<b>APPROVALS</b>		<b>DATE</b>		<b>Amphenol Canada Corp.</b>	
DECIMALS X.X ± 0.25		DRAWN B.PHAM		AUG31/10		TITLE	
ANGLES ± 1°		DESIGNED J.SI		FEB23/09		2XN SFP+ EXPRESSPORT™ COMBO WITH LIGHT PIPE (ELASTOMERIC GASKET)	
MATERIAL AND FINISH N/A		CHECKED X		X		SIZE A4 DWG. NO. P-U86-DX427-X0XX1 REV. J	
REF. X		QA APP'D X		X		SCALE 3:2 PROJECT SHEET 7 OF 8	
CODE IDENT. NO. 03554		IE APP'D X		X			
		DWG APP'D					

NOTES:

- DATUM AND BASIC DIMENSIONS ESTABLISHED BY CUSTOMER.
- 1.05 mm DIAMETER HOLES ARE CHASSIS GROUND (69 HOLES).

REVISIONS				
REV.	ECN	DESCRIPTION	DATE	APPROVED
G		LIGHT PIPE CONFIGURATION ADDED	MAY21/09	
H		PART NUMBERS ADDED	JUL27/09	
J		ADD 2X1 AND 2X8	AUG31/10	



2X8 PCB LAYOUT

**DO NOT SCALE DRAWING**

THIS DOCUMENT CONTAINS PROPRIETARY INFORMATION AND SUCH INFORMATION MAY NOT BE DISCLOSED TO OTHERS FOR ANY PURPOSE OR USED FOR MANUFACTURING PURPOSES WITHOUT PERMISSION FROM AMPHENOL CANADA CORP.

UNLESS OTHERWISE SPECIFIED DIMENSIONS ARE IN MILLIMETERS TOLERANCES ARE: DECIMALS                      ANGLES X.X ± 0.25                      ± 1° X.XX ± 0.15	<b>APPROVALS</b>	<b>DATE</b>	<b>Amphenol Canada Corp.</b> TITLE 2XN SFP+ EXPRESSPORT™ COMBO WITH LIGHT PIPE (ELASTOMERIC GASKET)		
	DRAWN B.PHAM	AUG31/10			
	DESIGNED J.SI	FEB23/09	SIZE A4	DWG. NO. P-U86-DX427-X0XX1	REV. J
	CHECKED X	X	SCALE 3:2	PROJECT	SHEET 8 OF 8
	QA APPD X	X	CODE IDENT. NO. 03554		
MATERIAL AND FINISH N/A	IE APP'D X				
REF. X	DWG APP'D				



## X-ON Electronics

Largest Supplier of Electrical and Electronic Components

*Click to view similar products for [Modular Connectors](#) / [Ethernet Connectors](#) category:*

*Click to view products by [Amphenol](#) manufacturer:*

Other Similar products are found below :

[RJE231881317T](#) [MP1010RX-1000](#) [MP44RX-1000](#) [GAX-3-66](#) [GAX-8-62](#) [93606-0253](#) [GD-A-44](#) [GDCX-PA-66-50](#) [GDCX-PN-64](#) [GDCX-PN-66](#) [GDCX-PN-66-50](#) [GDLX-A-66](#) [GDLX-A-88](#) [GDLX-N-66](#) [GDLX-S-88K](#) [GDTX-S-88-50](#) [GDX-PA-1010](#) [GLX-N-1010M-BLK](#) [GLX-N-44M](#) [GLX-S-88M-BLK](#) [GMX-N-1010](#) [GMX-S-1010](#) [GMX-S-66](#) [GMX-SMT2-N-1010](#) [GMX-SMT2-N-64-50](#) [GMX-SMT2-S6-88](#) [GMX-SMT4-N-88](#) [GPX-2-64](#) [GRT1-BT1-5](#) [GSGX-N-2-88](#) [GSX-NS2-88-3.05](#) [GSX-NS2-88-3.05-50](#) [GSX-NS-88-3.05-30](#) [GSX-NS-88-3.05-50](#) [GSX-NS-88-3.68](#) [1-1775629-2](#) [GWLX-S-88-GR](#) [GWLX-S9-88-YG](#) [1300500326](#) [1300500227](#) [1300530003](#) [1300570002](#) [1324640-4](#) [RJ11FTVC2G](#) [RJ11FTVC2N](#) [RJFTVX2SA1G](#) [132764-001](#) [1400000](#) [1413176](#) [1413235](#)