

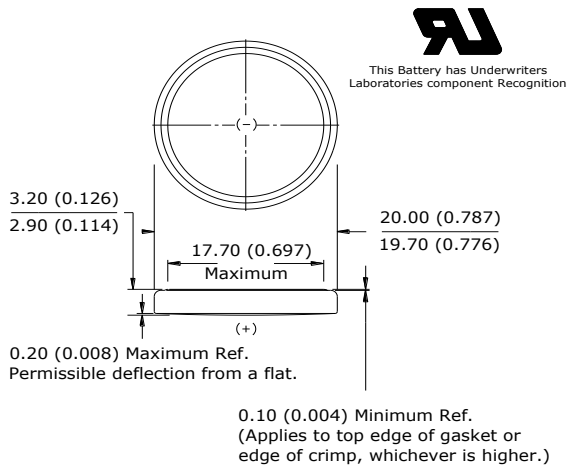
# ENERGIZER CR2032

## Lithium Coin



### Industry Standard Dimensions

mm (inches)



This Battery has Underwriters Laboratories component Recognition

### Specifications

<b>Classification:</b>	"Lithium Coin"
<b>Chemical System:</b>	Lithium / Manganese Dioxide (Li/MnO <sub>2</sub> )
<b>Designation:</b>	ANSI / NEDA-5004LC, IEC-CR2032
<b>Nominal Voltage:</b>	3.0 Volts
<b>Typical Capacity:</b>	240 mAh (to 2.0 volts) (Rated at 15K ohms at 21°C)
<b>Typical Weight:</b>	3.0 grams (0.10 oz.)
<b>Typical Volume:</b>	1.0 cubic centimeters (0.06 cubic inch)
<b>Typical IR:</b>	10,000 - 40,000 mΩ
<b>Max Rev Charge:</b>	1 microampere
<b>Energy Density:</b>	198 milliwatt hr/g, 653 milliwatt hr/cc
<b>Typical Li Content:</b>	0.109 grams (0.0038 oz.)
<b>UL Recognized:</b>	MH29980
<b>Operating Temp:</b>	-30C to 60C
<b>Self Discharge:</b>	~1% / year

### Safety:

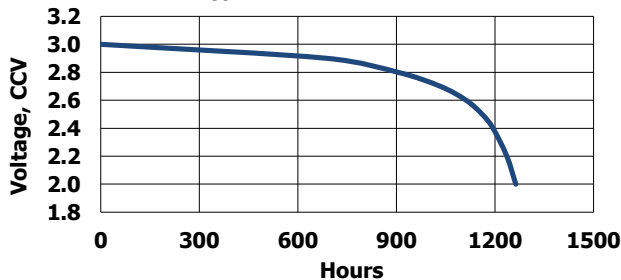


**(1) KEEP OUT OF REACH OF CHILDREN.** Swallowing may lead to serious injury or death in as little as 2 hours due to chemical burns and potential perforation of the esophagus. **Immediately see doctor; have doctor phone (202) 625-3333.**

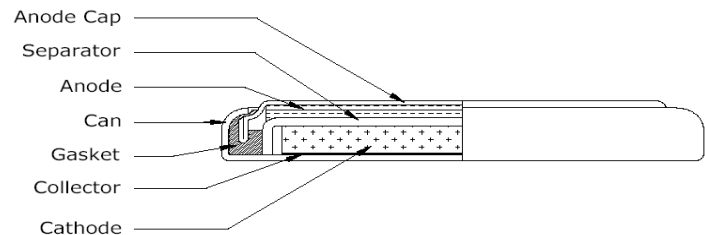
**(2) Battery compartment design.** To prevent children from removing batteries, battery compartments should be designed with one of the following methods: a) a tool such as screwdriver or coin is required to open battery compartment or b) the battery compartment door/cover requires the application of a minimum of two independent and simultaneous movements of the securing mechanism to open by hand. Screws should remain captive with the battery door or cover.

### Continuous Discharge Characteristics

Load: 15K ohms - continuous 21°C (70°F)  
Typical Drain @ 2.9V: 0.19 mA



### Cross Section



### Simulated Application test

Typical Performance at 21°C (70°F)

Schedule:	Typical Drains: at 2.9V (mA)	Load (ohms)	Cutoff 2.0V (hours)
Continuous	0.19	15,000	1263

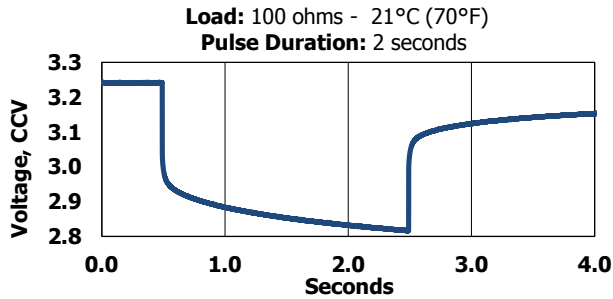
### Important Notice

This datasheet contains typical information specific to products manufactured at the time of its publication.  
©Energizer Holdings, Inc. - Contents herein do not constitute a warranty.

# ENERGIZER CR2032

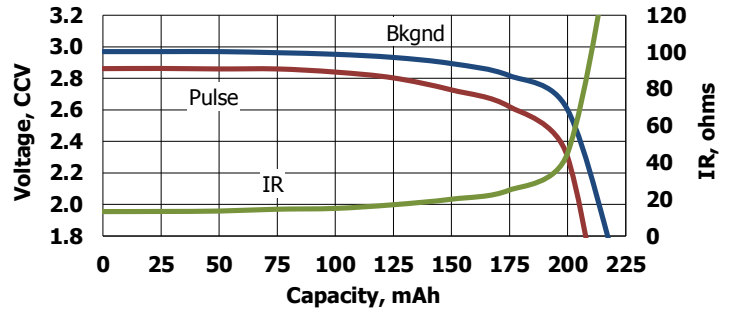
**Lithium Coin**

## Pulse Characteristics

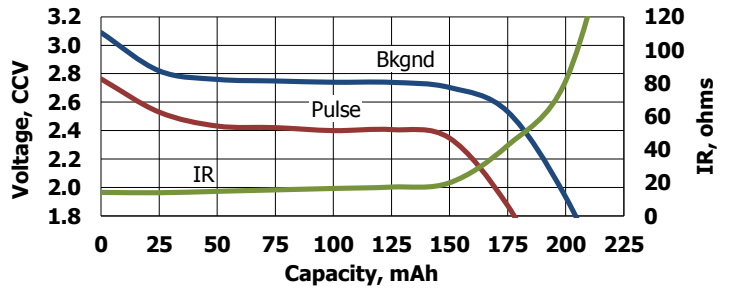


## Pulse Discharge Characteristics

**Bkgnd Drain:** Continuous 21°C (70°F) 15K ohms  
0.19 mA @2.9V  
**Pulse Drain:** 2 seconds X 12 times/day  
400 ohms  
~6.8 mA @2.7V



**Bkgnd Drain:** None 21°C (70°F)  
**Pulse Drain:** 1mSec ON / 14mSec OFF  
120 ohms  
~23 mA @2.7V



### Important Notice

This datasheet contains typical information specific to products manufactured at the time of its publication.  
©Energizer Holdings, Inc. - Contents herein do not constitute a warranty.

## X-ON Electronics

Largest Supplier of Electrical and Electronic Components

*Click to view similar products for [energizer manufacturer](#):*

Other Similar products are found below :

[1215F2X3](#) [E11A B2](#) [LR43 186](#) [AC13](#) [AC675](#) [3LR12](#) [603298](#) [625302](#) [625304](#) [638006](#) [639830](#) [S9025](#) [7638900426687](#) [7638900414660](#)  
[E92 MAX](#) [E91 MAX](#) [HARD CASE RECHARGEABLE](#) [HARD CASE PRO MULTI USE](#) [HCHD311](#) [S9029](#) [639826](#) [603386](#) [HARD CASE](#)  
[PROFF 4AA](#) [HARDCASE PRO HEADLIGHT](#) [639618](#) [RCLINM2WR](#) [S8865](#) [S8707](#) [S8100](#) [7638900424478](#) [7638900313130](#) [626177](#)  
[E300116200](#) [639838](#) [HARDCASE PRO WORK LIGHT](#) [603305](#) [E300280600](#) [METAL LED 6AA](#) [S8864](#) [HDD32E](#) [MS2AALED](#)  
[ENERGIZERÂ® 2-IN-1 LANTERN HANDHELD](#) [E300124200](#) [E300171700](#) [ENFFL81E](#) [E300112600](#) [633474](#) [HDA32E](#) [7638900421422](#)  
[HARD CASE PRO PIVOT](#)