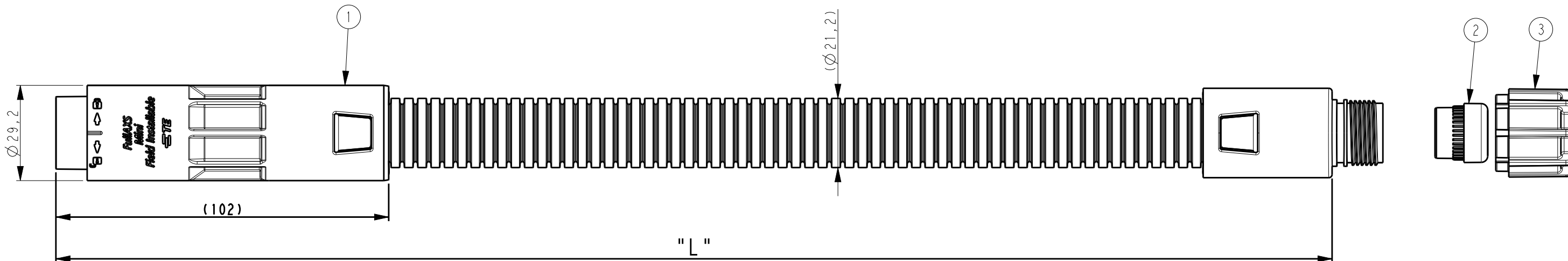
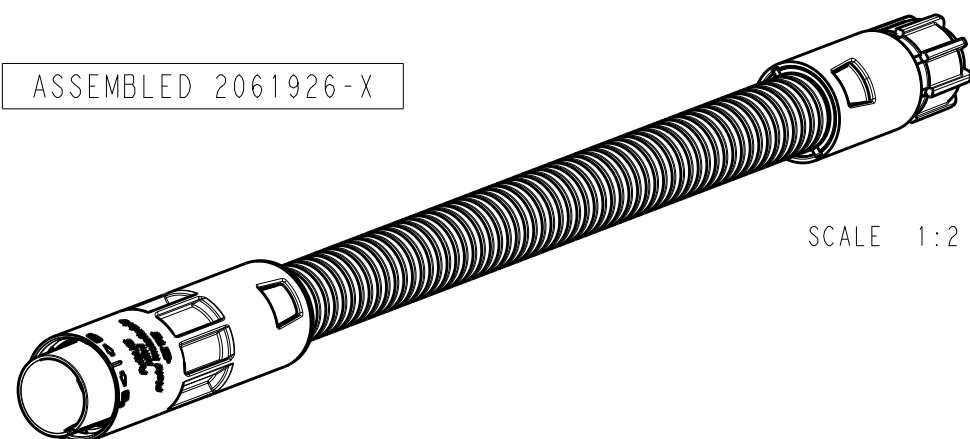


REVISIONS

P	LTR	DESCRIPTION	DATE	DWN	APVD
	A	RELEASE	02NOV2016	KZ	RS



TE Part Number	"L" (mm)	Cable Diameter
2061926-1	500 ±20	4.8±0.2 mm
2061926-2	300 ±20	4.8±0.2 mm

NOTES:

- THIS FIELD INSTALL KIT SHOULD BE USED WITH RUGGEDIZED CABLE AND RUGGED FAN-OUT CONSTRUCTION. NO 900 MICRON TERMINATIONS TO BE USED.
- CABLE DIAMETER RANGE: SEE TABLE
- THE FLAMMABILITY RATING OF THE MATERIAL IS UL94-V0
- THE MATERIAL IS HALOGEN FREE ACCORDING IEC 60754-2
- EACH ASSEMBLY IS PACKED IN A PROTECTIVE SLEEVE - GLAND SEAL AND NUT ARE SEPARATELY SEALED
- AN INSTRUCTION SHEET IS PACKED WITH EACH FIELD INSTALL KIT

Item	Description	Qty
3	FuIIFLEX MINI FIELD INSTALL NUT FOR CABLE GLAND	1
2	FuIIFLEX MINI FIELD INSTALL CABLE GLAND SEAL	1
1	FuIIFLEX MINI FIELD INSTALL CORRUGATED TUBE with COUPLING	1

THIS DRAWING IS A CONTROLLED DOCUMENT.		DWN R. COOLEN 08APR2015		TE Connectivity			
DIMENSIONS: mm 		CHK M. SCHOLTEN 08APR2015				NAME FuIIFLEX MINI FIELD INSTALL KIT	
		APVD S. BORGAS 08APR2015					
TOLERANCES UNLESS OTHERWISE SPECIFIED:		PRODUCT SPEC		SIZE			
0 PLC ±0,5 1 PLC ±0,25 2 PLC ±0,03 3 PLC ±0,005 4 PLC ±0,0010 ANGLES ±1		APPLICATION SPEC		CAGE CODE			
MATERIAL		WEIGHT		DRAWING NO			
-		-		A3 - C-2061926			
-		-		RESTRICTED TO			
-		-		-			
CUSTOMER DRAWING				SCALE 4:5 SHEET 1 OF 1 REV A			

X-ON Electronics

Largest Supplier of Electrical and Electronic Components

Click to view similar products for [Bench Top Tools](#) category:

Click to view products by [TE Connectivity](#) manufacturer:

Other Similar products are found below :

[63801-7271](#) [5-690451-2](#) [570416-000](#) [59737-3](#) [6-1372442-6](#) [6-21084-7](#) [6-2119582-2](#) [63801-4462](#) [63801-7269](#) [639029070](#) [679527-1](#) [68284-1](#) [690223-2](#) [691530-1](#) [7-18023-8](#) [768514-1](#) [768539-1](#) [768597-1](#) [809696-1](#) [810408](#) [811070-1](#) [819347-1](#) [852772-1](#) [853858-1](#) [854130-1](#) [854178-1](#) [854946-1](#) [854946-2](#) [856189-1](#) [904262-1](#) [904449-1](#) [9-1633962-3](#) [9-1633962-4](#) [9-1633962-5](#) [9-22279-4](#) [9-22280-9](#) [970609-000](#) [986096-2](#) [1-1901695-2](#) [1-1901696-2](#) [992438-3](#) [1-1976053-3](#) [1-2119644-2](#) [1-2119644-3](#) [1-2119791-1](#) [1-25022-4](#) [125327-000](#) [122760-1](#) [1-23470-5](#) [126379-1](#)