

# APOLLO Cases

## CONSTRUCTION

The plastic injection moulded top and base sections clip together, without the use of screws, to provide the basic construction.

The two heights and two widths combine in various configurations to provide six case sizes. The cases, which have a textured exterior finish, incorporate vertical slots for PCB mounting. The plastic front and rear panels can be fitted in a recessed, flush or projecting position according to individual preference requirements.

An aluminium and plastic panel is supplied with sizes 1, 2, 4 and 5. Two aluminium panels are supplied with sizes 3 and 6. The cases are available in a combinations of light grey with mid grey. Four self-adhesive non-slip feet are provided for fixing to the base and four self-adhesive PCB mounting clips are also provided for universal mounting of circuit boards.

## Contents of kit

| Description        | Qty. | Materials/Specification    |
|--------------------|------|----------------------------|
| Top moulding       | 1    | ABS light grey             |
| Base moulding      | 1    | ABS light grey             |
| PCB mounting clips | 4    | Nylon 66                   |
| Plastic panel      | 1    | ABS mid grey (See NOTE)    |
| Aluminium panel    | 1    | 1,6mm aluminium (See NOTE) |
| Self-adhesive feet | 4    |                            |

## ABS Material specification

|                    |                |
|--------------------|----------------|
| Temp. range        | -40°C to +80°C |
| Flame class rating | UL94-HB        |

## WALL MOUNTING

Located in the shell mouldings are two pre-set drilling points specifically designed to cater for wall mounting applications. A hole is incorporated at these points to act as an accurate centre drill.

The illustration gives the relevant dimensions.

## Ordering information

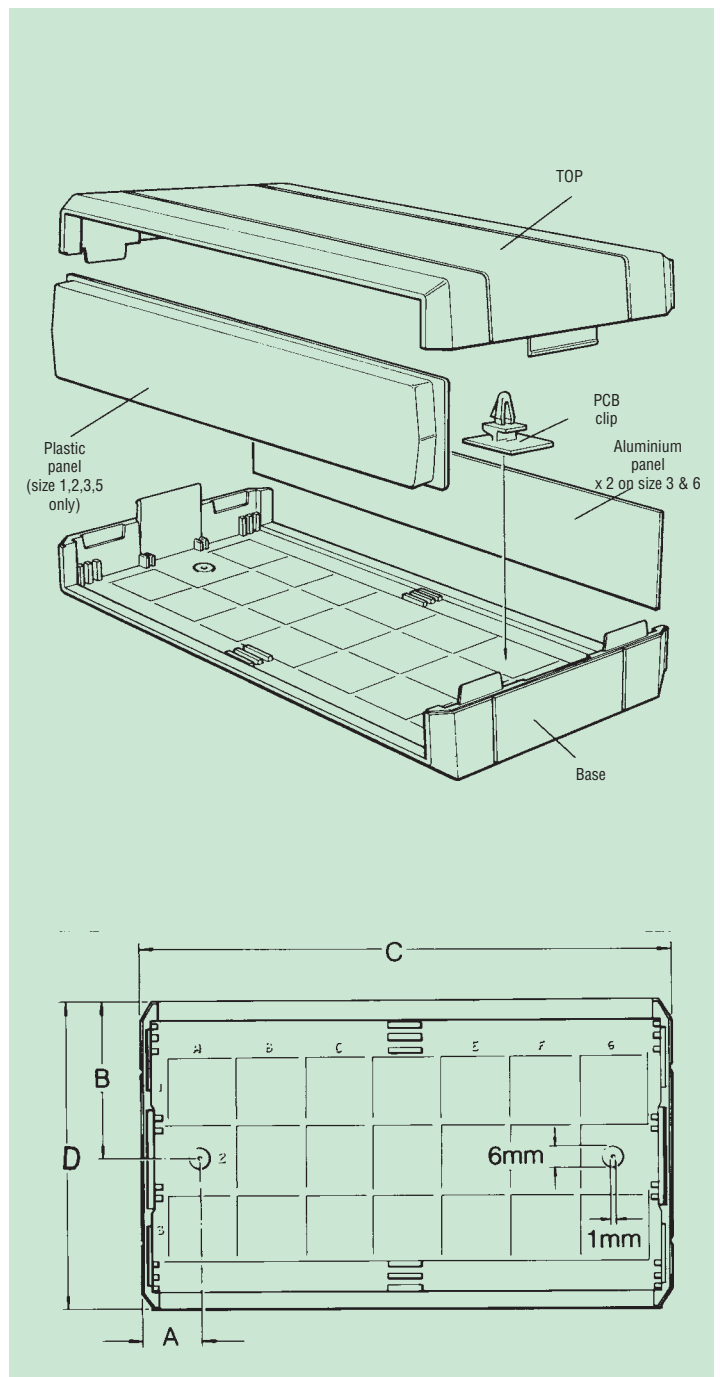
| Case size         | Case dimensions |        |       |        |       | Order code |
|-------------------|-----------------|--------|-------|--------|-------|------------|
|                   | A               | B      | C     | D      | E     |            |
| 1                 | 91              | 155,28 | 39,2  | 152,52 | 34    | 75-38106   |
| 2                 | 91              | 155,28 | 59,2  | 152,52 | 54    | 75-38107   |
| 3 <sup>NOTE</sup> | 91              | 155,28 | 79,2  | 152,52 | 74    | 75-38108   |
| 4                 | 146,5           | 206,14 | 39,4  | 203,32 | 34,2  | 75-38118   |
| 5                 | 146,5           | 206,14 | 74,4  | 203,32 | 69,2  | 75-38119   |
| 6 <sup>NOTE</sup> | 146,5           | 206,14 | 109,4 | 203,32 | 104,2 | 75-38120   |

<sup>NOTE</sup>: Sizes 3 and 6 include 2 aluminium panels only

For details of a full range of compatible accessories, please refer to page 30.



APOLLO cases



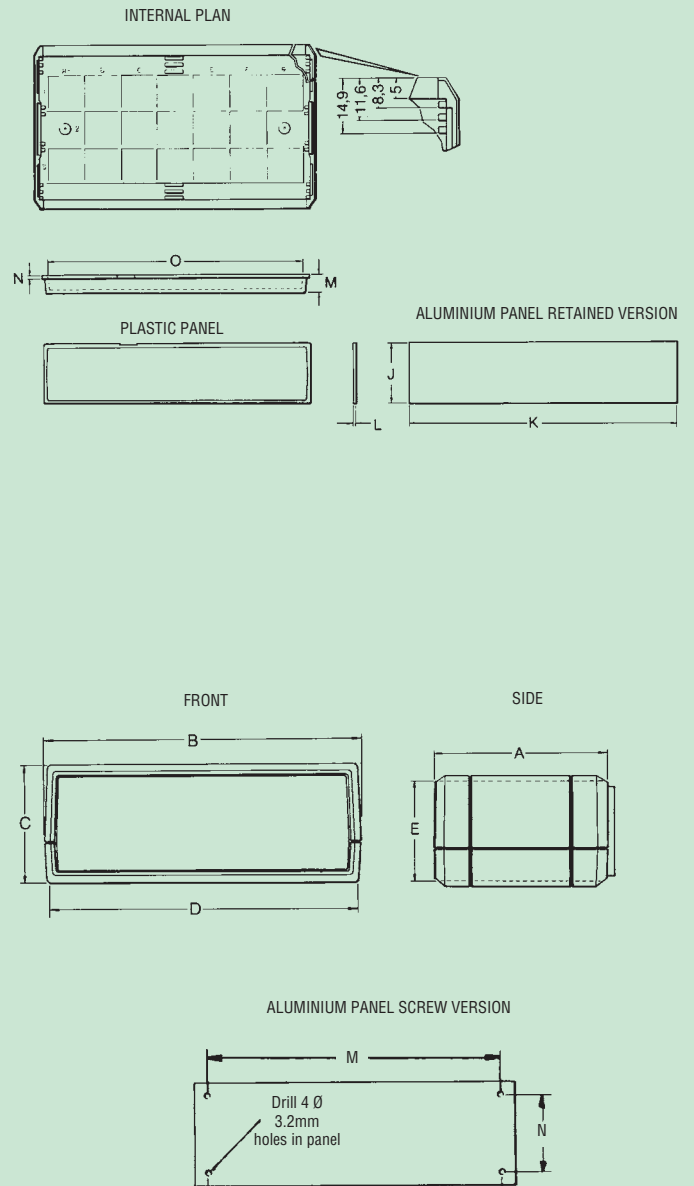
# APOLLO Cases

| Case size | A     | B     | C      | D     |
|-----------|-------|-------|--------|-------|
| 1         | 17,64 | 45,5  | 155,28 | 91    |
| 2         | 17,64 | 45,5  | 155,28 | 91    |
| 3         | 17,64 | 45,5  | 155,28 | 91    |
| 4         | 15    | 73,25 | 206,14 | 146,5 |
| 5         | 15    | 73,25 | 206,14 | 146,5 |
| 6         | 15    | 73,25 | 206,14 | 146,5 |

## ALUMINIUM PANEL DIMENSIONS

| Size | Dimensions |     |     |       |      |
|------|------------|-----|-----|-------|------|
|      | J          | K   | L   | M     | N    |
| 1    | 34         | 148 | 1.6 | 133,8 | 19,2 |
| 2    | 54         | 148 | 1.6 | 133,4 | 39,2 |
| 3    | 74         | 148 | 1.6 | 133,4 | 59,2 |
| 4    | 34         | 198 | 1.6 | 184,6 | 19,4 |
| 5    | 69         | 198 | 1.6 | 183,2 | 54,4 |
| 6    | 104        | 198 | 1.6 | 183,2 | 89,4 |

## DIMENSIONAL DETAILS



## **X-ON Electronics**

Largest Supplier of Electrical and Electronic Components

*Click to view similar products for [vero manufacturer](#):*

Other Similar products are found below :

[173-202579H](#) [503-232983F](#) [503-232948H](#) [503-232971B](#) [20-313145](#) [16-269316](#) [503-232963A](#) [75-265742](#) [75-38118](#) [950-201784G](#) [16-269313](#) [75-265739](#) [503-232946A](#) [20-313139](#) [18-1657](#) [20-313138](#) [20-313144](#) [75-227911](#) [18-0222](#) [645-10028](#) [75-265740](#) [01-0042](#) [75-3019](#) [75-227895](#) [75-227901](#) [503-232985B](#) [20-313140](#) [75-227910](#) [503-232954B](#) [20-313143](#) [01-0021](#) [20-2136](#) [20-313137](#) [75-2861](#) [75-226685](#) [950-202001E](#) [75-2860](#) [20-2137](#)