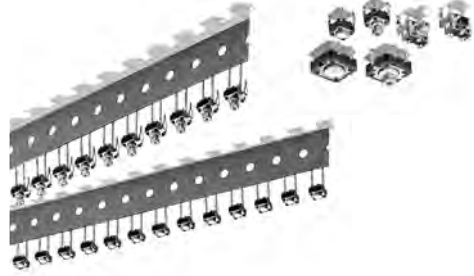


**Tactile Switch – B3F**



**A Wide Range of Models: 6 x 6 mm, 12 x 12 mm, Vertical and High-force.**

- ROHS compliant.
- A positive click action plus a long life equal to that of a no-contact switch.
- Radial models (taping specifications) that allow the use of general-purpose radial taping parts insertion machines have been added to the series.
- High reliability gold plated type available

**Ordering Information**

Type	Plunger	Height	Operating force (of)		Plunger	Type	
			Without ground terminal	With ground terminal			
Horizontal (B3F-1000)	Flat	4.3 mm	0.98 N (100 gf)	B3F-1000		Projected	
			1.47 N (150 gf)	B3F-1102			
			2.55 N (260 gf)	B3F-1005			
			4.9 N (50 gf)	B3F-1006			
			0.98 N (100 gf)	B3F-1020			
			1.47 N (150 gf)	B3F-1122			
	5.0 mm (7.5-mm pitch)	5.0 mm	0.98 N (100 gf)	B3F-1026		Flat, high reliability gold plated	
			4.9 N (50 gf)	B3F-1026			
			2.55 N (260 gf)	B3F-1025			
			1.47 N (150 gf)	B3F-1022			
			0.98 N (100 gf)	B3F-1020			
			1.47 N (150 gf)	B3F-1122			
7.3 mm	Projected	4.3 mm	0.98 N (100 gf)	B3F-1050		Flat, high reliability gold plated	
			1.47 N (150 gf)	B3F-1070			
			0.98 N (100 gf)	B3F-1075			
			2.55 N (260 gf)	B3F-1072-N			
			1.47 N (150 gf)	B3F-1075			
			0.98 N (100 gf)	B3F-1150			
	7.3 mm	Projected	4.3 mm	1.47 N (150 gf)	B3F-1052		Projected, high reliability gold plated
				2.55 N (260 gf)	B3F-1055		
				4.9 N (50 gf)	B3F-1056		
				1.76 N (180 gf)	B3F-1002-G		
				1.76 N (180 gf)	B3F-1102-G		
				1.76 N (180 gf)	B3F-1122-G		
7.3 mm	Projected	4.3 mm	0.98 N (100 gf)	B3F-6000		Standard (B3F-6000)	
			1.47 N (150 gf)	B3F-6106			
			2.55 N (260 gf)	B3F-6022			
			4.3 mm	B3F-6000			
			5.0 mm	B3F-6020			
			7.3 mm	B3F-6050			
	Plunger	Height	Operating force	Without ground terminal	B3F-6002		Standard (B3F-6000)
				With ground terminal	B3F-6100		
				Without ground terminal	B3F-6022		
				With ground terminal	B3F-6122		
				Without ground terminal	B3F-6052		
				With ground terminal	B3F-6152		

**Tactile Switch – B3F**

**6 x 6 mm Models**

Note: Switches are sold in units of 100 Switches. Orders must be made in multiples of 100 (the quantity per bag).

Type	Plunger	Height	Operating force (of)		Plunger	Type	
			Without ground terminal	With ground terminal			
Vertical (B3F-3000)	Flat	3.15 mm	0.98 N (100 gf)	B3F-3100		Projected	
			1.47 N (150 gf)	B3F-3102			
			2.55 N (260 gf)	B3F-3105			
			0.98 N (100 gf)	B3F-3120			
			1.47 N (150 gf)	B3F-3122			
			2.55 N (260 gf)	B3F-3125			
	Flat, high reliability gold plated	3.85 mm	3.85 mm	1.76N (180gf)	B3F-3122-G		Projected
				0.98 N (100 gf)	B3F-3150		
				1.47 N (150 gf)	B3F-3152		
				2.55 N (260 gf)	B3F-3155		
				0.98 N (100 gf)	B3F-3150		
				1.47 N (150 gf)	B3F-3152		

**Accessories (Order Separately)**

Note: Switches are sold in units of 1,000 Switches. Orders must be made in multiples of 1,000. Switches are not sold individually.

Type	Plunger	Height	Operating force		Type
			Without ground terminal	With ground terminal	
Standard (B3F-6000)	Flat	4.3 mm	0.98 N (100 gf)	B3F-6002	
			1.47 N (150 gf)	B3F-6106	
			2.55 N (260 gf)	B3F-6022	
			4.3 mm	B3F-6000	
			5.0 mm	B3F-6020	
			7.3 mm	B3F-6050	
Plunger	Height	Operating force	Without ground terminal	B3F-6002	
			With ground terminal	B3F-6100	
			Without ground terminal	B3F-6022	
			With ground terminal	B3F-6122	
			Without ground terminal	B3F-6052	
			With ground terminal	B3F-6152	

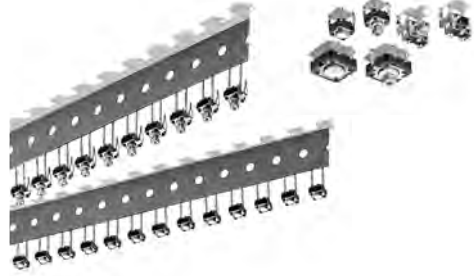
**6 x 6 mm Radial Models (Taping Specifications)**

Note: Switches are sold in units of 100 Switches. Orders must be made in multiples of 100 (the quantity per bag).

Type	Plunger or LED colour	Height	Operating force		Plunger	Type	
			Without ground terminal	With ground terminal			
Standard (B3F-4000)	Flat	4.3 mm	1.27 N (130 gf)	B3F-4000		High reliability gold-plated (B3F-5000)	
			2.55 N (260 gf)	B3F-4005			
			1.27 N (130 gf)	B3F-4050			
			2.55 N (260 gf)	B3F-4055			
			0.98 N (100 gf)	B3F-5000			
			1.27 N (130 gf)	B3F-5001			
	Projected	7.3 mm	7.3 mm	1.27 N (130 gf)	B3F-5050		Long life expectancy (B3F-5000)
				2.55 N (260 gf)	B3F-5055		
				1.27 N (130 gf)	B3F-5100		
				2.55 N (260 gf)	B3F-5105		
				0.98 N (100 gf)	B3F-5150		
				1.27 N (130 gf)	B3F-5151		

Tactile Switches

**Tactile Switch – B3F**



**A Wide Range of Models: 6 x 6 mm, 12 x 12 mm, Vertical and High-force.**

- ROHS compliant.
- A positive click action plus a long life equal to that of a no-contact switch.
- Radial models (taping specifications) that allow the use of general-purpose radial taping parts insertion machines have been added to the series.
- High reliability gold plated type available

**Ordering Information**

Type	Plunger	Height	Operating force (of)		Plunger	Type	
			Without ground terminal	With ground terminal			
Horizontal (B3F-1000)	Flat	4.3 mm	0.98 N (100 gf)	B3F-1000		Projected	
			1.47 N (150 gf)	B3F-1102			
			2.55 N (260 gf)	B3F-1005			
			4.9 N (50 gf)	B3F-1006			
			0.98 N (100 gf)	B3F-1020			
			1.47 N (150 gf)	B3F-1122			
	5.0 mm (7.5-mm pitch)	5.0 mm	0.98 N (100 gf)	B3F-1026		Flat, high reliability gold plated	
			4.9 N (50 gf)	B3F-1026			
			2.55 N (260 gf)	B3F-1025			
			1.47 N (150 gf)	B3F-1022			
			0.98 N (100 gf)	B3F-1020			
			1.47 N (150 gf)	B3F-1122			
7.3 mm	Projected	4.3 mm	0.98 N (100 gf)	B3F-1050		Flat, high reliability gold plated	
			1.47 N (150 gf)	B3F-1070			
			0.98 N (100 gf)	B3F-1075			
			2.55 N (260 gf)	B3F-1072-N			
			1.47 N (150 gf)	B3F-1075			
			0.98 N (100 gf)	B3F-1150			
	7.3 mm	Projected	4.3 mm	1.47 N (150 gf)	B3F-1052		Projected, high reliability gold plated
				2.55 N (260 gf)	B3F-1055		
				4.9 N (50 gf)	B3F-1056		
				1.76 N (180 gf)	B3F-1002-G		
				1.76 N (180 gf)	B3F-1102-G		
				1.76 N (180 gf)	B3F-1122-G		
7.3 mm	Projected	4.3 mm	0.98 N (100 gf)	B3F-6000		Standard (B3F-6000)	
			1.47 N (150 gf)	B3F-6106			
			2.55 N (260 gf)	B3F-6022			
			4.3 mm	B3F-6000			
			5.0 mm	B3F-6020			
			7.3 mm	B3F-6050			
	Plunger	Height	Operating force	Without ground terminal	B3F-6002		Standard (B3F-6000)
				With ground terminal	B3F-6100		
				Without ground terminal	B3F-6022		
				With ground terminal	B3F-6122		
				Without ground terminal	B3F-6052		
				With ground terminal	B3F-6152		

**Tactile Switch – B3F**

Type	Plunger	Height	Operating force (of)		Plunger	Type	
			Without ground terminal	With ground terminal			
Vertical (B3F-3000)	Flat	3.15 mm	0.98 N (100 gf)	B3F-3100		Projected	
			1.47 N (150 gf)	B3F-3102			
			2.55 N (260 gf)	B3F-3105			
			0.98 N (100 gf)	B3F-3120			
			1.47 N (150 gf)	B3F-3122			
			2.55 N (260 gf)	B3F-3125			
	3.85 mm	Flat, high reliability gold plated	3.85 mm	1.76N (180gf)	B3F-3122-G		Projected
				0.98 N (100 gf)	B3F-3150		
				1.47 N (150 gf)	B3F-3152		
				2.55 N (260 gf)	B3F-3155		
				0.98 N (100 gf)	B3F-3150		
				1.47 N (150 gf)	B3F-3152		
6.15 mm	Projected	6.15 mm	0.98 N (100 gf)	B3F-3150		High reliability gold-plated (B3F-5000) expectancy	
			1.47 N (150 gf)	B3F-5100			
			2.55 N (260 gf)	B3F-5050			
			4.3 mm	B3F-5000			
			7.3 mm	B3F-5150			
			1.27 N (130 gf)	B3F-5001			
	Plunger	Height	Operating force	Without ground terminal	B3F-4000		Standard (B3F-4000)
				With ground terminal	B3F-4100		
				Without ground terminal	B3F-4050		
				With ground terminal	B3F-4105		
				Without ground terminal	B3F-4055		
				With ground terminal	B3F-4155		

**12 x 12 mm Models**

Note: Switches are sold in units of 100 Switches. Orders must be made in multiples of 100 (the quantity per bag).

Type	Plunger or LED colour	Height	Operating force		Plunger	Type	
			Without ground terminal	With ground terminal			
Bags (100 Switches)	Standard (B3F-4000)	4.3 mm	1.27 N (130 gf)	B3F-4000		Long life (B3F-5000)	
			2.55 N (260 gf)	B3F-4005			
			1.27 N (130 gf)	B3F-4050			
			2.55 N (260 gf)	B3F-4055			
			4.3 mm	B3F-5000			
			7.3 mm	B3F-5150			
	High reliability gold-plated (B3F-5000)	4.3 mm	1.27 N (130 gf)	1.27 N (130 gf)	B3F-5001		Projected
				4.3 mm	B3F-5101		
				7.3 mm	B3F-5151		
				4.3 mm	B3F-5050		
				7.3 mm	B3F-5051		
				1.27 N (130 gf)	B3F-5051		

**6 x 6 mm Radial Models (Taping Specifications)**

Note: Switches are sold in units of 100 Switches. Orders must be made in multiples of 100 (the quantity per bag).

Type	Plunger	Height	Operating force		Plunger	Type	
			Without ground terminal	With ground terminal			
Bags (100 Switches)	Standard (B3F-6000)	4.3 mm	0.98 N (100 gf)	B3F-6000		Standard (B3F-6000)	
			1.47 N (150 gf)	B3F-6106			
			2.55 N (260 gf)	B3F-6022			
			4.3 mm	B3F-6000			
			5.0 mm	B3F-6020			
			7.3 mm	B3F-6050			
	Plunger	Height	Operating force	Without ground terminal	B3F-6002		Standard (B3F-6000)
				With ground terminal	B3F-6100		
				Without ground terminal	B3F-6022		
				With ground terminal	B3F-6122		
				Without ground terminal	B3F-6052		
				With ground terminal	B3F-6152		

**Accessories (Order Separately)**

Note: Switches are sold in units of 1,000 Switches. Orders must be made in multiples of 1,000. Switches are not sold individually. Special Key Tops are available for projected plunger models.

**Tactile Switch – B3F**

**Specifications**

**■ Rating/Characteristics**

<b>Switching capacity</b>	B3F-G series 1 to 50 mA, 5 to 24 VDC (resistive load), 100µ to 50 mA, 5 to 24 VDC for
<b>Ambient temperature</b>	-25°C to 70°C, at 60% maximum (with no icing)
<b>Ambient humidity</b>	35% to 85% (for +5° to 35°C)
<b>Contact form</b>	SPST-NO
<b>Contact resistance</b>	100 mΩ max. (initial value) (rated: 1 mA, 5 VDC), 100µA, 5 VDC for B3F-G series
<b>Insulation resistance</b>	100 MΩ min. (at 250 VDC)
<b>Dielectric strength</b>	500 VAC, 50/60 Hz for 1 min
<b>Bounce time</b>	5 ms max.
<b>Vibration resistance</b>	Malfunction: 10 to 55 Hz, 1.5 mm double amplitude Destruction: 1,000 m/s <sup>2</sup> (approx. 10G) max.
<b>Shock resistance</b>	Malfunction: 100 m/s <sup>2</sup> (approx. 10G) max.
<b>Life expectancy</b>	B3F-1000, B3F-3000, B3F-6000: 1,000,000 operations min (OF: 0.98 N) (B3F-1070: 500,000 operations min) 300,000 operations min (OF: 1.47 N) 100,000 operations min (OF: 2.55 N) 50,000 operations min (OF: 4.9 N) B3F-4000: 3,000,000 operations min (OF: 1.28 N) 1,000,000 operations min (OF: 2.55 N) B3F-5000: 10,000,000 operations min. B3F-G: 300,000 operations min
<b>Weight</b>	6 x 6 mm models: approx. 0.25 g 12 x 12 mm models (standard types): approx. 0.85 g Radial models: approx. 0.25 g

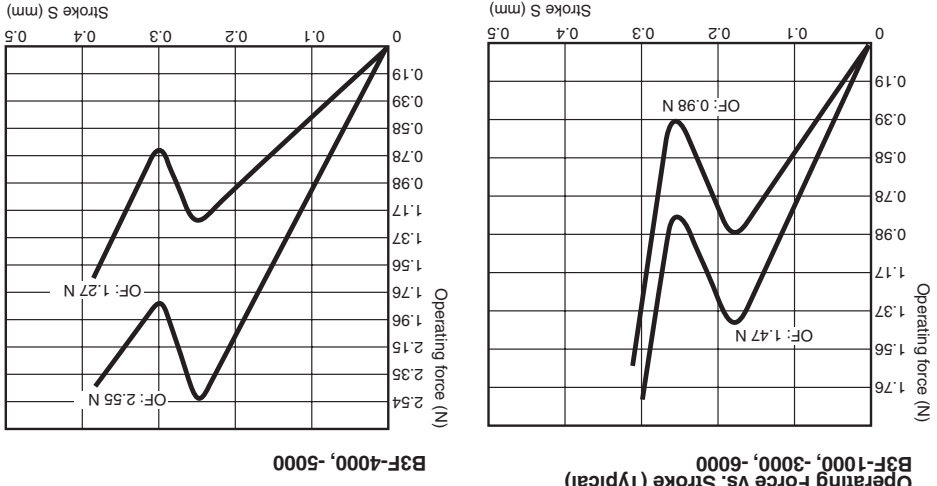
**■ Operating Characteristics**

Operating force (OF)	0.98 N	1.47 N	2.55 N	4.9 N	1.27 N	2.55 N	1.76 N
	B3F-1000 B3F-3000 B3F-6000	B3F-1000 B3F-3000 B3F-6000	B3F-1000 B3F-3000 B3F-6000	B3F-1000 B3F-3000 B3F-6000	B3F-1000 B3F-3000 B3F-6000	B3F-4000 B3F-5000	B3F-G
Operating force (OF)	0.98±0.29 N (100±30 gf)	1.47±0.49 N (150±50 gf)	2.55±0.69 N (260±70 gf)	4.9±1.47 N (100±30 gf)	1.27±0.49 N (130±50 gf)	2.55±0.69 N (260±70 gf)	1.76±0.49 N (180±50gf)
Relapsing force (RF)	0.2 N (20 gf) min.	0.49 N (50 gf) min.	0.49 N (50 gf) min.	0.7 N (70 gf) min.	0.29 N (30 gf) min.	0.49 N min. (50 gf)	0.49 N (50gf)
Pretravel (PT)	0.25±0.02/±0.1 mm	0.25±0.02/±0.1 mm	0.25±0.02/±0.1 mm	0.3±0.02/±0.1 mm	0.3±0.02/±0.1 mm	0.25±0.02/±0.1 mm	0.25±0.02/±0.1 mm

**Tactile Switch – B3F**

**Engineering Data**

**Operating Force vs. Stroke (Typical)**



**Tactile Switches**

**Tactile Switch – B3F**

**Specifications**

**■ Rating/Characteristics**

<b>Switching capacity</b>	B3F-G series 1 to 50 mA, 5 to 24 VDC (resistive load), 100µ to 50 mA, 5 to 24 VDC for
<b>Ambient temperature</b>	-25°C to 70°C, at 60% maximum (with no icing)
<b>Ambient humidity</b>	35% to 85% (for +5° to 35°C)
<b>Contact form</b>	SPST-NO
<b>Contact resistance</b>	100 mΩ max. (initial value) (rated: 1 mA, 5 VDC), 100µA, 5 VDC for B3F-G series
<b>Insulation resistance</b>	100 MΩ min. (at 250 VDC)
<b>Dielectric strength</b>	500 VAC, 50/60 Hz for 1 min
<b>Bounce time</b>	5 ms max.
<b>Vibration resistance</b>	Malfunction: 10 to 55 Hz, 1.5 mm double amplitude Destruction: 1,000 m/s <sup>2</sup> (approx. 10G) max.
<b>Shock resistance</b>	Malfunction: 100 m/s <sup>2</sup> (approx. 10G) max.
<b>Life expectancy</b>	B3F-1000, B3F-3000, B3F-6000: 1,000,000 operations min (OF: 0.98 N) (B3F-1070: 500,000 operations min) 300,000 operations min (OF: 1.47 N) 100,000 operations min (OF: 2.55 N) 50,000 operations min (OF: 4.9 N) B3F-4000: 3,000,000 operations min (OF: 1.28 N) 1,000,000 operations min (OF: 2.55 N) B3F-5000: 10,000,000 operations min. B3F-G: 300,000 operations min
<b>Weight</b>	6 x 6 mm models: approx. 0.25 g 12 x 12 mm models (standard types): approx. 0.85 g Radial models: approx. 0.25 g

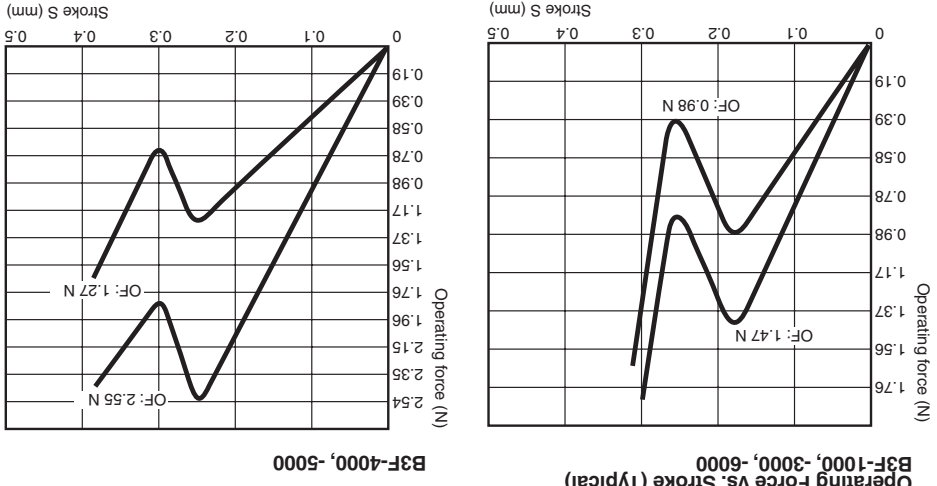
**■ Operating Characteristics**

Operating force (OF)	0.98 N	1.47 N	2.55 N	4.9 N	1.27 N	2.55 N	1.76 N
	B3F-1000 B3F-3000 B3F-6000	B3F-1000 B3F-3000 B3F-6000	B3F-1000 B3F-3000 B3F-6000	B3F-1000 B3F-3000 B3F-6000	B3F-1000 B3F-3000 B3F-6000	B3F-4000 B3F-5000	B3F-G
Operating force (OF)	0.98±0.29 N (100±30 gf)	1.47±0.49 N (150±50 gf)	2.55±0.69 N (260±70 gf)	4.9±1.47 N (100±30 gf)	1.27±0.49 N (130±50 gf)	2.55±0.69 N (260±70 gf)	1.76±0.49 N (180±50gf)
Relapsing force (RF)	0.2 N (20 gf) min.	0.49 N (50 gf) min.	0.49 N (50 gf) min.	0.7 N (70 gf) min.	0.29 N (30 gf) min.	0.49 N min. (50 gf)	0.49 N (50gf)
Pretravel (PT)	0.25±0.02/±0.1 mm	0.25±0.02/±0.1 mm	0.25±0.02/±0.1 mm	0.3±0.02/±0.1 mm	0.3±0.02/±0.1 mm	0.25±0.02/±0.1 mm	0.25±0.02/±0.1 mm

**Tactile Switch – B3F**

**Engineering Data**

**Operating Force vs. Stroke (Typical)**



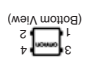
**Tactile Switches**

Tactile Switch – B3F

**Dimensions**

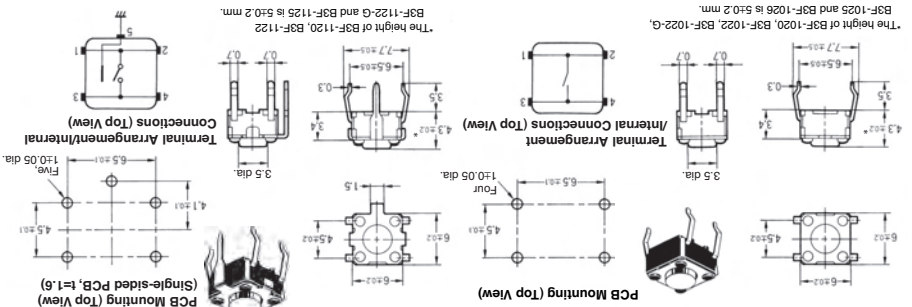
Note 1. All units are in millimetres unless otherwise indicated. Unless otherwise specified, a tolerance of  $\pm 0.4$  mm applies to all dimensions.

2. No terminal numbers are indicated on the Switches. The numbers used for terminals in the following graphics are on indicated in the "Bottom View" diagram below. In this diagram, the Switch is rotated so that the terminals are on the right and left-hand sides, and the OMRON logo appears the right way up.



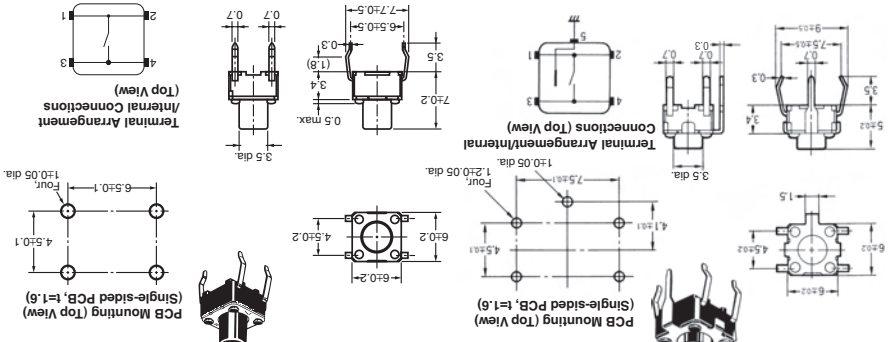
6 x 6 mm Models

**Horizontal, Flat Plunger Type (without Ground Terminal)**  
 B3F-1000, B3F-1002, B3F-1005, B3F-1006  
 B3F-1020 (See note.), B3F-1022 (See note.), B3F-1025 (See note.), B3F-1026 (See note.), B3F-1022-G (see note.)  
 B3F-1025 (See note.), B3F-1026 (See note.), B3F-1100, B3F-1102, B3F-1105  
 Ground Terminal, Pitch: 6.5 mm)  
**Horizontal, Flat Plunger Type (with Ground Terminal)**  
 B3F-1120 (See note.), B3F-1122 (See note.), B3F-1125 (See note.), B3F-1122-G (see note.), B3F-1125-G (see note.), B3F-1122-G and B3F-1125 is 54.2 mm.



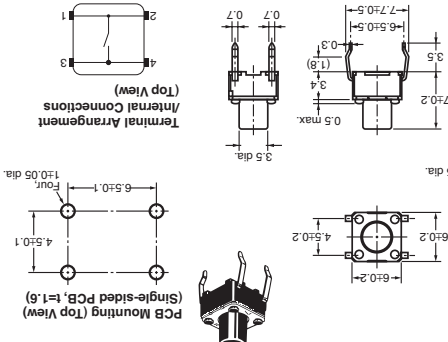
**Horizontal, Flat Plunger Type (with Ground Terminal, Pitch: 7.5 mm)**

B3F-1110



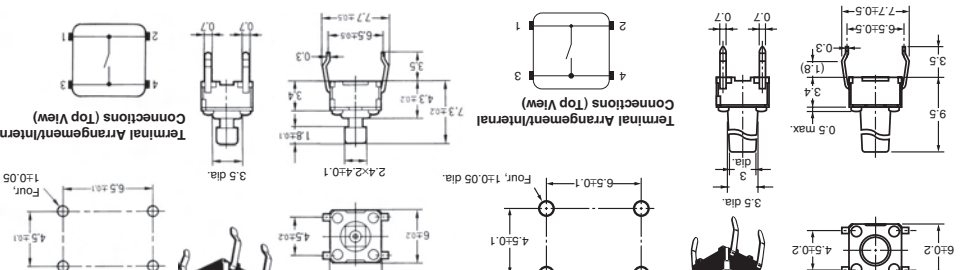
**Horizontal, Flat Plunger Type (without Ground Terminal)**

B3F-1060, B3F-1062, B3F-1062-G



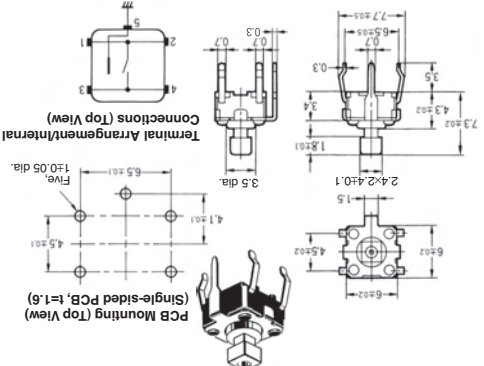
Tactile Switch – B3F

**Horizontal, Flat Plunger Type (without Ground Terminal)**  
 B3F-1070, B3F-1072-N, B3F-1075, B3F-1072-G  
**Horizontal, Flat Plunger Type (with Ground Terminal)**  
 B3F-1050, B3F-1052, B3F-1055, B3F-1056  
 B3F-1052-G



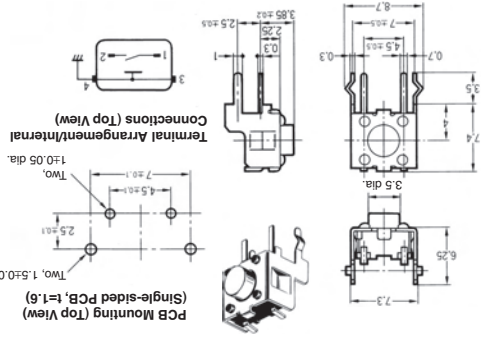
**Vertical, Projected Plunger Type (with Ground Terminal)**

B3F-1150, B3F-1152, B3F-1155



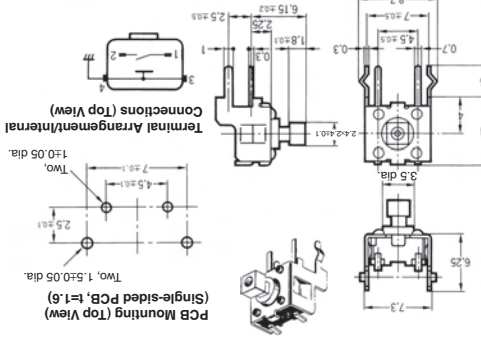
**Vertical, Flat Plunger Type (Height: 3.85 mm)**

B3F-3120, B3F-3122, B3F-3125, B3F-3122-G



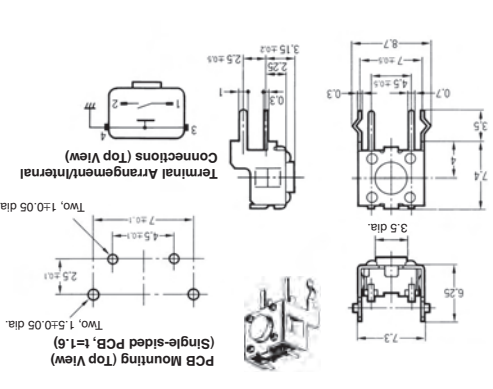
**Vertical, Projected Plunger Type**

B3F-3150, B3F-3152, B3F-3155



**Vertical, Flat Plunger Type**

B3F-3100, B3F-3102, B3F-3105



Tactile Switches

**Tactile Switch – B3F**

**Dimensions**

Note 1. All units are in millimetres unless otherwise indicated. Unless otherwise specified, a tolerance of ±0.4 mm applies to all dimensions.

2. No terminal numbers are indicated on the Switches. The numbers used for terminals in the following graphics are indicated in the "Bottom View" diagram below. In this diagram, the Switch is rotated so that the terminals are on the right and left-hand sides, and the OMRON logo appears the right way up.

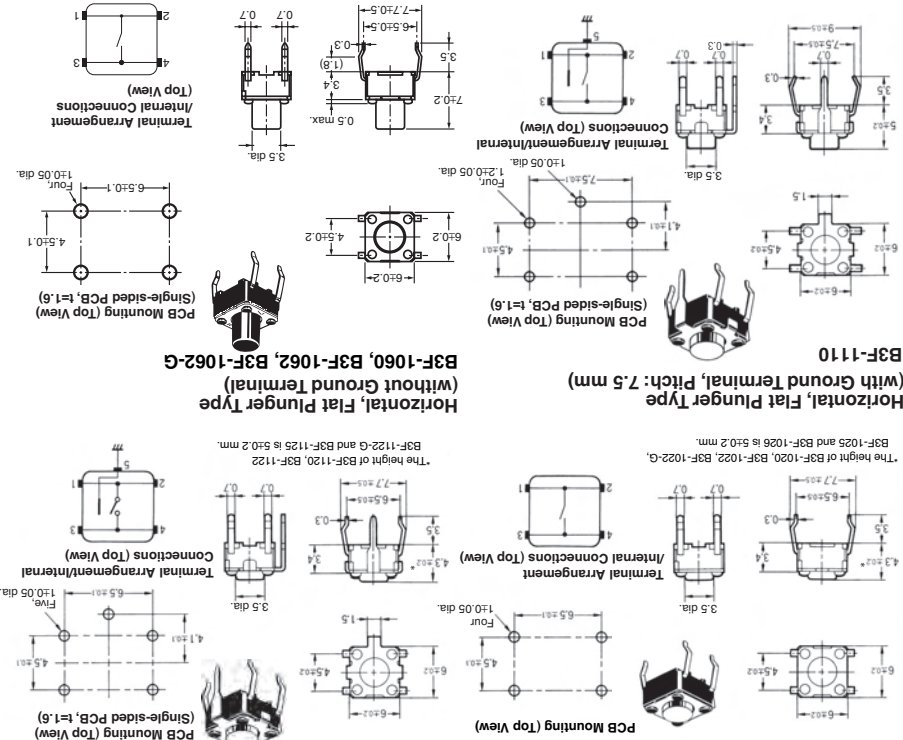
**6 x 6 mm Models**

**Horizontal, Flat Plunger Type (without Ground Terminal)**  
 B3F-1000, B3F-1002, B3F-1005, B3F-1006  
 B3F-1020 (See note.), B3F-1022 (See note.),  
 B3F-1025 (See note.), B3F-1026 (See note.),  
 B3F-1025 (See note.), B3F-1022, B3F-1022-G,  
 B3F-1025 and B3F-1026 is 5±0.2 mm.

**Horizontal, Flat Plunger Type (with Ground Terminal, Pitch: 7.5 mm)**  
 B3F-1110

**Horizontal, Flat Plunger Type (without Ground Terminal)**  
 B3F-1060, B3F-1062, B3F-1062-G

**Horizontal, Flat Plunger Type (with Ground Terminal)**  
 B3F-1120 (See note.), B3F-1122 (See note.),  
 B3F-1125 (See note.), B3F-1122-G, B3F-1122-G (see note.),  
 B3F-1125-G and B3F-1125 is 5±0.2 mm.



**Tactile Switch – B3F**

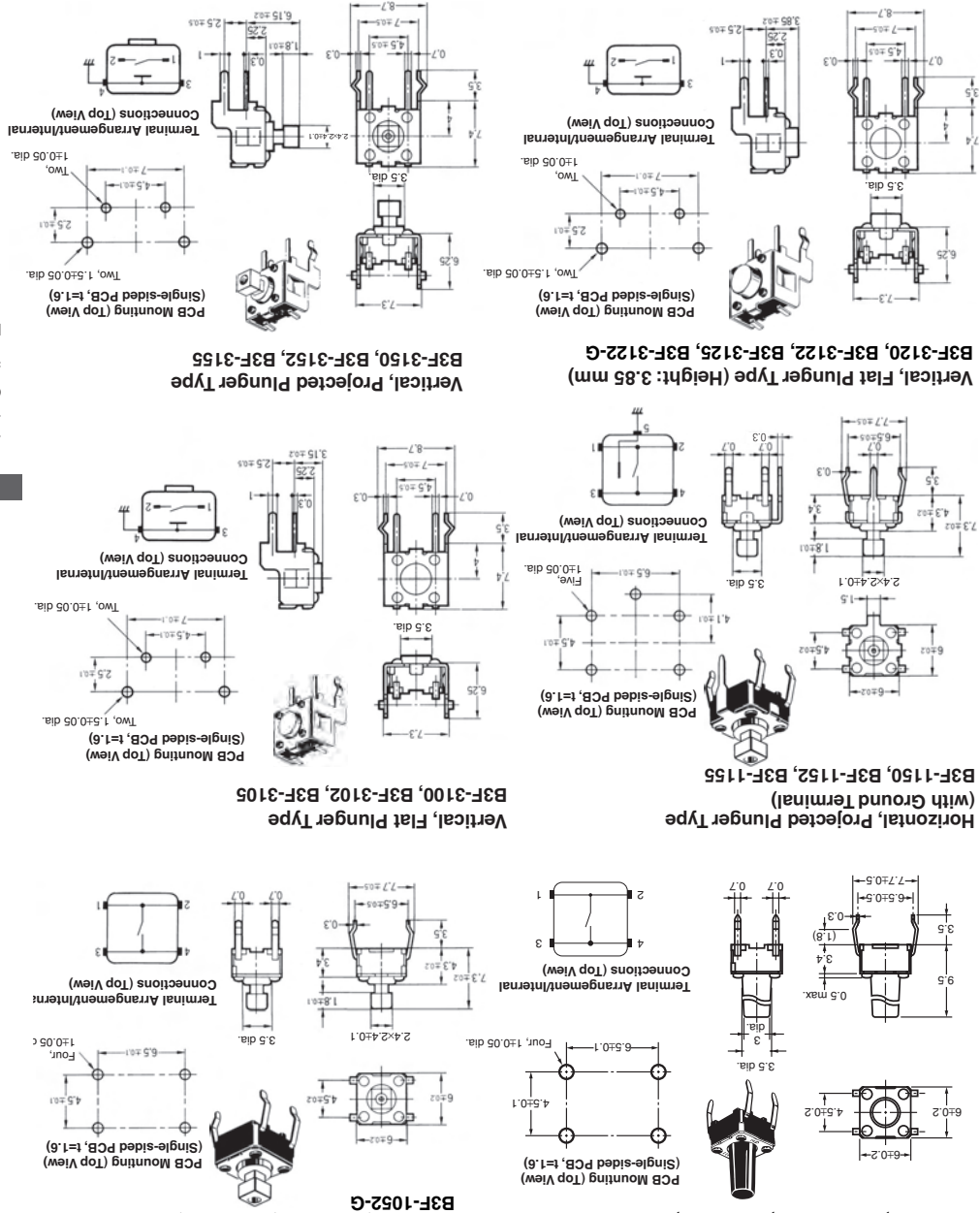
**Horizontal, Flat Plunger Type (without Ground Terminal)**  
 B3F-1070, B3F-1072-N, B3F-1075, B3F-1072-G

**Horizontal, Flat Plunger Type (with Ground Terminal)**  
 B3F-1050, B3F-1052, B3F-1055, B3F-1056  
 B3F-1052-G

**Vertical, Flat Plunger Type (with Ground Terminal)**  
 B3F-3100, B3F-3102, B3F-3105

**Vertical, Flat Plunger Type (without Ground Terminal)**  
 B3F-3120, B3F-3122, B3F-3125, B3F-3122-G

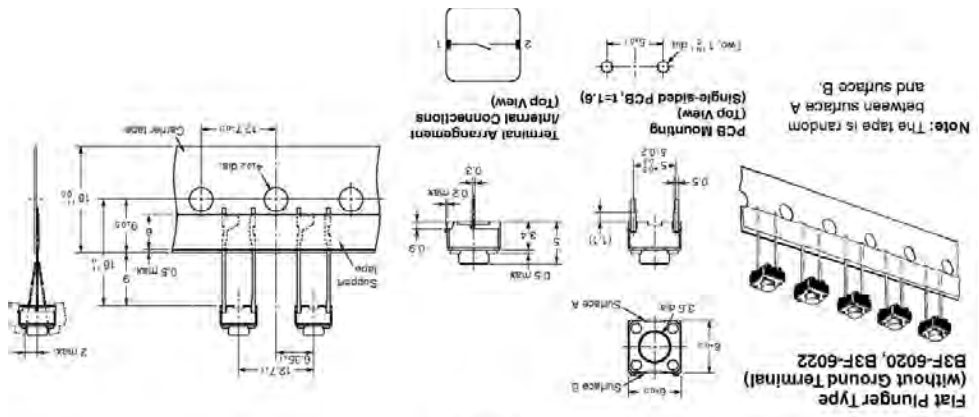
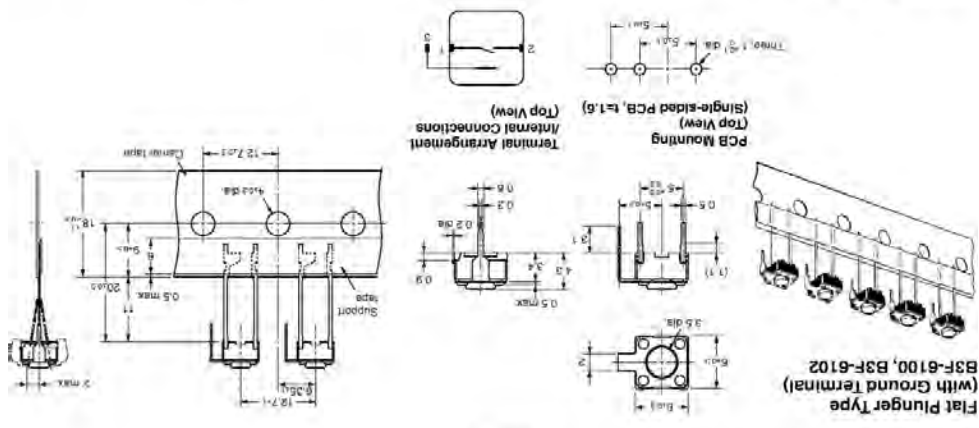
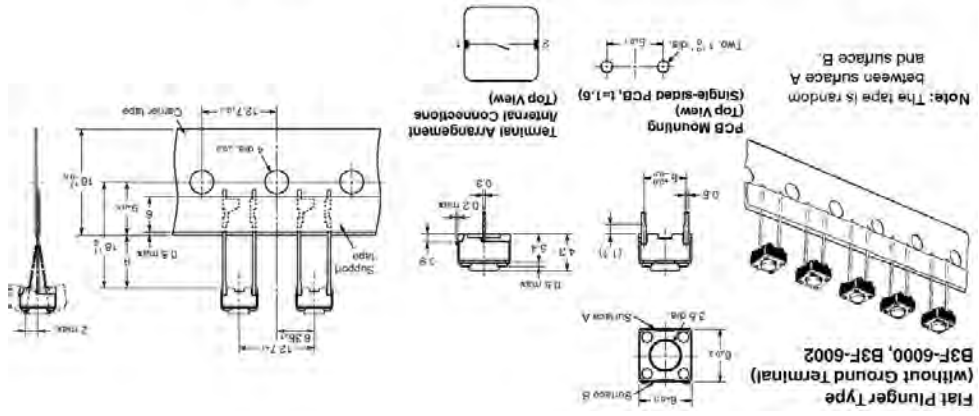
**Vertical, Projected Plunger Type**  
 B3F-3150, B3F-3152, B3F-3155



Tactile Switches

**Tactile Switch - B3F**

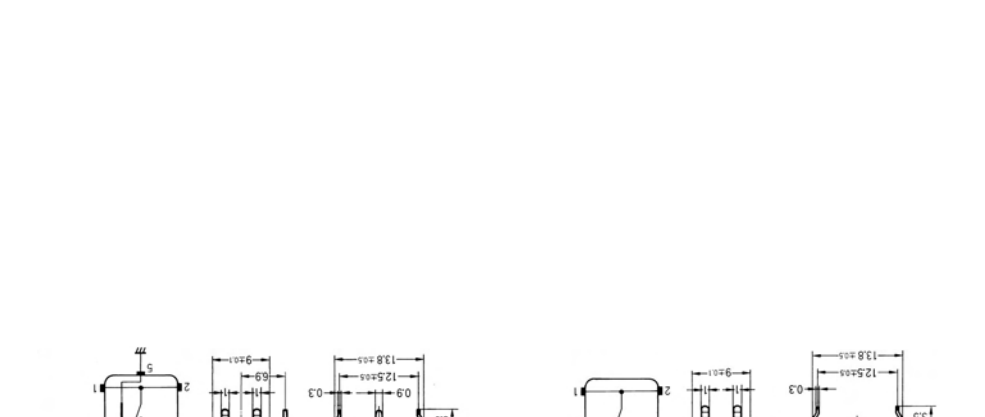
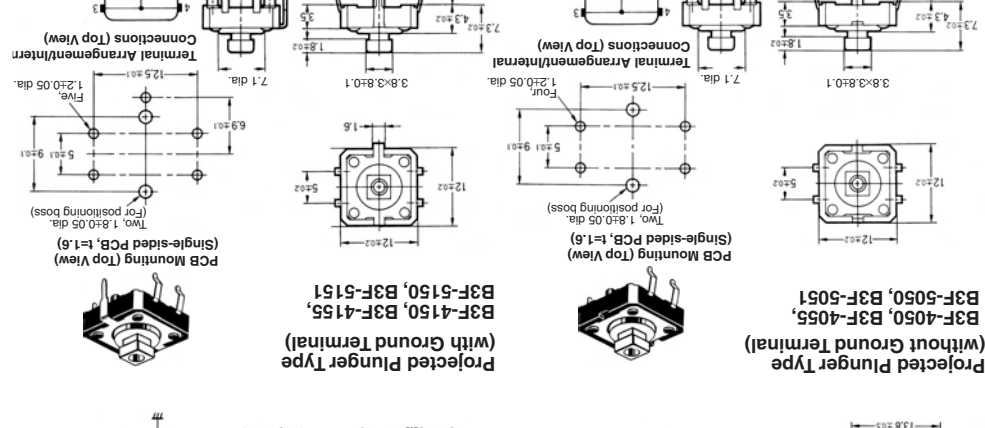
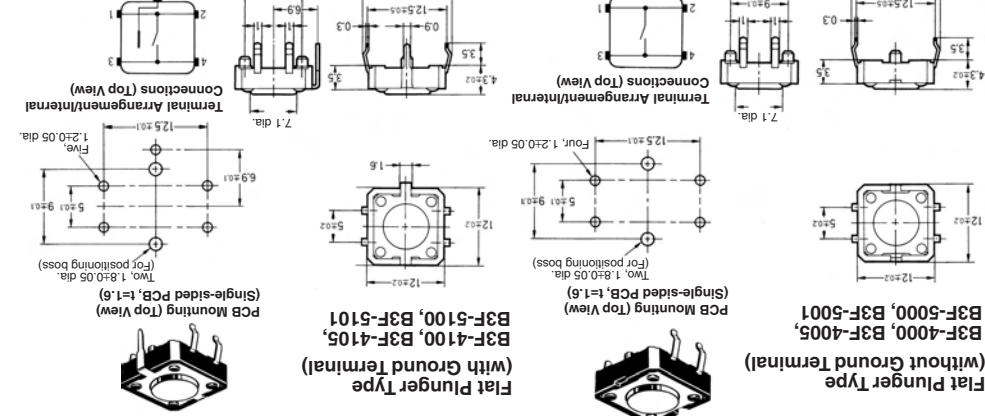
6 mm x 6 mm Radial Types (Taping Specifications): Sold in Units of 1,000 Switches



Tactile Switches

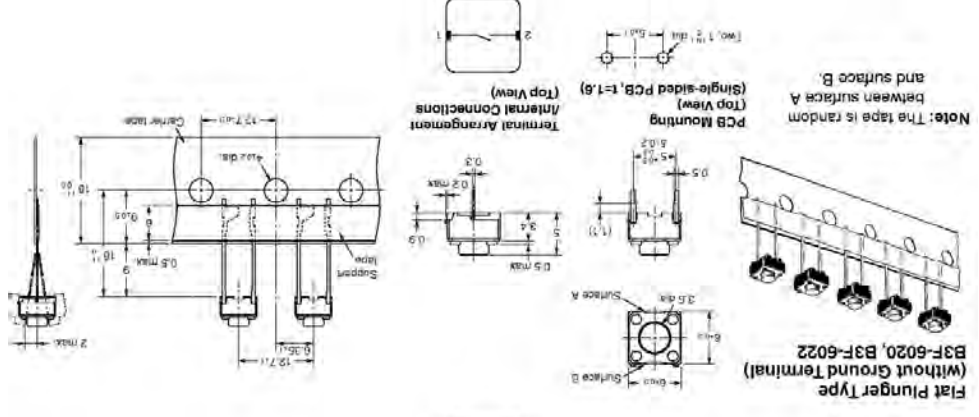
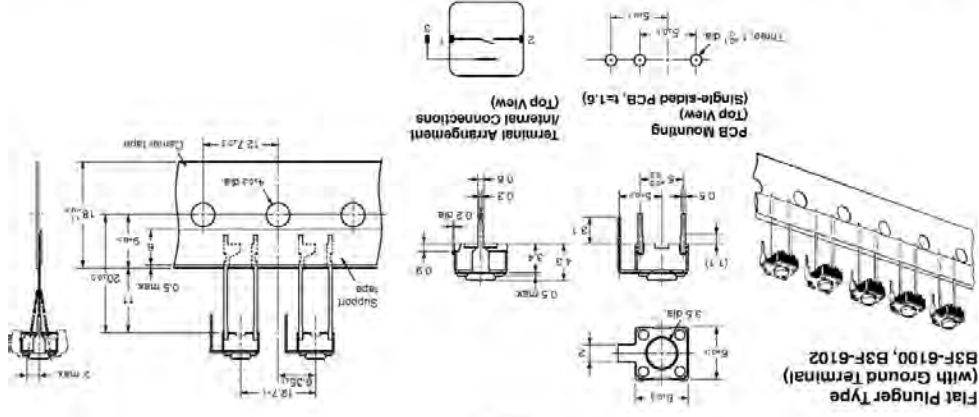
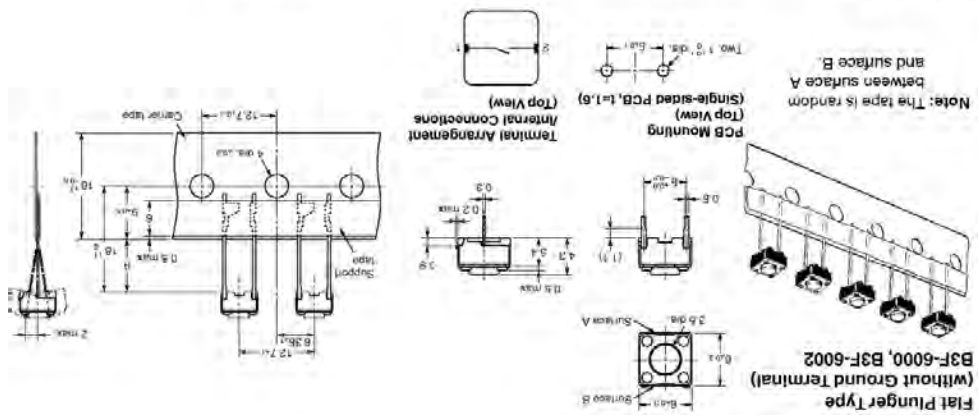
**Tactile Switch - B3F**

12 x 12 mm Models



**Tactile Switch - B3F**

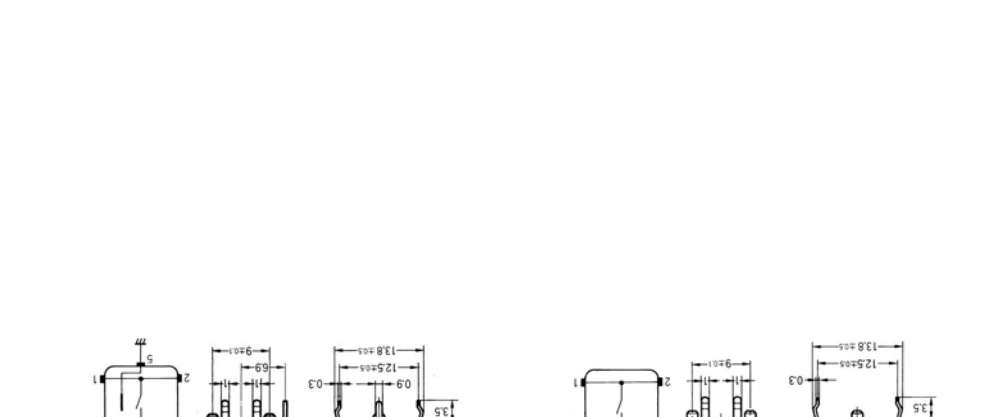
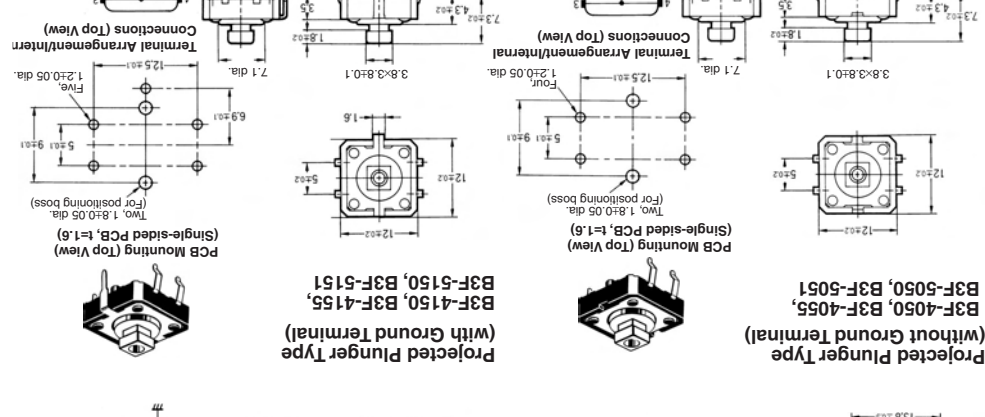
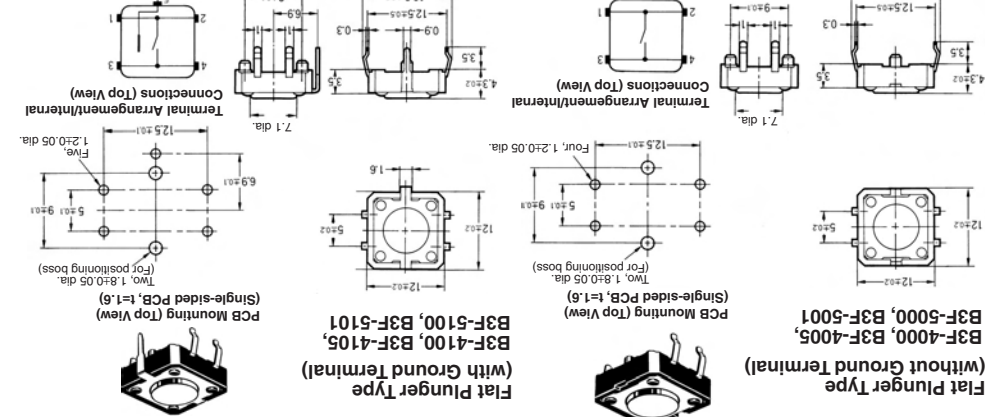
6 mm x 6 mm Radial Types (Taping Specifications): Sold in Units of 1,000 Switches



Tactile Switches

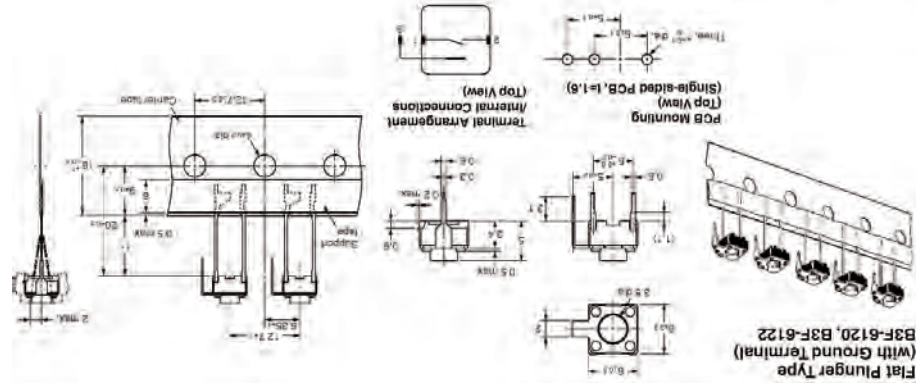
**Tactile Switch - B3F**

12 x 12 mm Models





**Tactile Switch – B3F**



**Tactile Switch – B3F-8**



**Tactile switch with Protective Cover for increased security**

- ROHS Compliant
- Protective cover prevents switch operation when cover is closed
- Spring operated cover returns to close position

**Ordering Information**

**List of Models**

Contact form	B3F-8000
Tactile Switch with protective cover	B3F-8000

**Specifications**

<b>Switching capacity</b>	1 to 50mA, 5 to 24VDC (resistive load)
<b>Ambient temperature</b>	-25°C to 70°C at 60% max. (with no icing)
<b>Ambient humidity</b>	35 to 85% (for +5 °C to 35 °C)
<b>Contact form</b>	SPST-NO
<b>Contact resistance</b>	100 mΩ max. (initial value) (rated: 1mA, 5VDC)
<b>Insulation resistance</b>	100 MΩ min. (at 250 VDC)
<b>Dielectric strength</b>	500 VAC, 50/60 Hz for 1 min
<b>Bouncing time</b>	5ms Max.
<b>Vibration resistance</b>	Malfunction: 10 to 55 Hz, 1.5-mm double amplitude
<b>Shock resistance</b>	Destruction: 1,000 m/s <sup>2</sup> max. Malfunction: 100 m/s <sup>2</sup> max.
<b>Life expectancy</b>	Switch: 3,000,000 operations min. Cover: 1,000,000 operations min.

Note: 1. The data given above are initial values.

**Operating Characteristics**

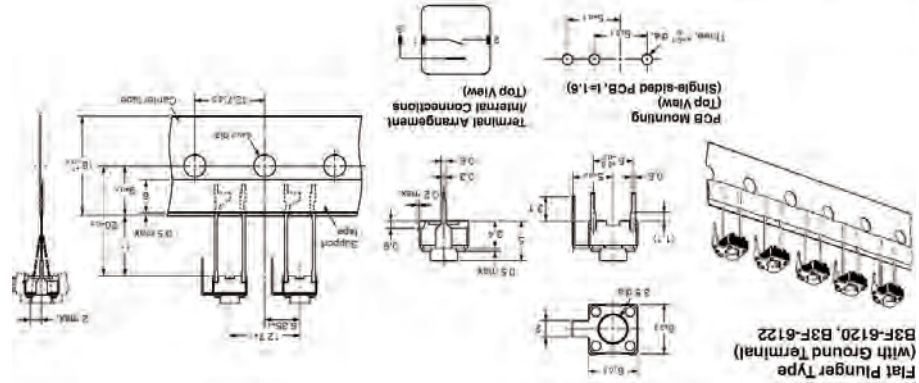
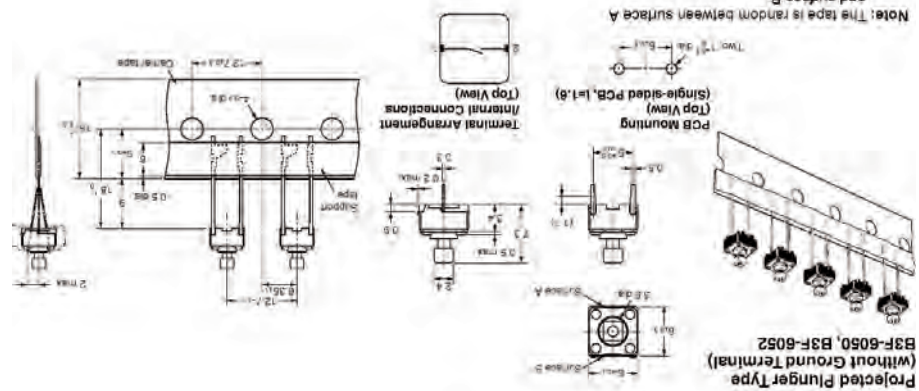
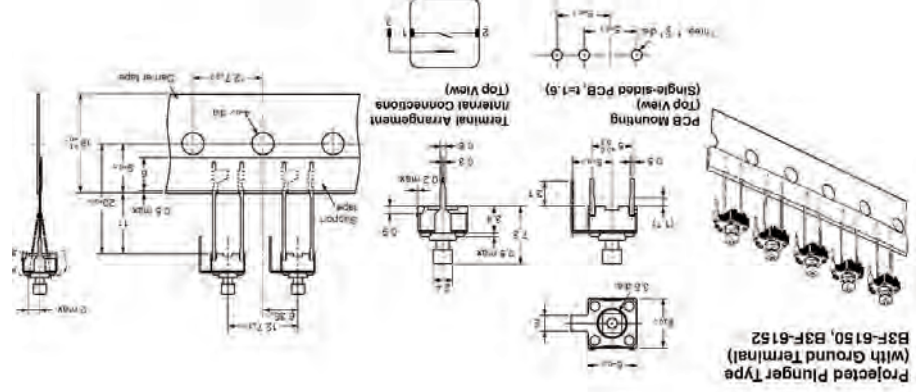
Operating force (OF)	1.27 ±0.49N
Release force (RF)	0.29N Min.
Pretravel (PT)	0.3 +0.2/-0.1 mm

771

Tactile Switches

**Key Tops**

B32-series Special Key Tops are available for projected plunger models.



770

CAT. No. A070-E2-06A

## X-ON Electronics

Largest Supplier of Electrical and Electronic Components

*Click to view similar products for [Tactile Switches](#) category:*

*Click to view products by [Omron](#) manufacturer:*

Other Similar products are found below :

[KMR633NG LFG](#) [5GTH92001](#) [5GTH9202242](#) [6426-201-11343](#) [MJ1226](#) [MJTP1109B](#) [MJTP1138EAUTR](#) [MJTP1230BL](#) [MJTPSHW](#)  
[GS6.90F300QP](#) [1-1977223-0](#) [1-1977120-4](#) [ADTSA62NV](#) [ADTSA62RV](#) [ADTSA63KV](#) [ADTSA644NV](#) [ADTSM24NVTR](#) [ADTSMW66NV](#)  
[ADTSMW67RV](#) [ATM533VTR](#) [1571300-3](#) [B3F-3123](#) [B3F-6055A](#) [B3F-B32-01-KIT](#) [1977177-8](#) [1977266-1](#) [2-1977223-4](#) [2-1977223-7](#)  
[ADTS644KV](#) [ADTSA61RV](#) [ADTSA62KV](#) [ADTSA63NV](#) [ADTSA63RV](#) [ADTSA65NV](#) [ADTSM21NSVTR](#) [ADTSM25RVTR](#)  
[ADTSM31RVTR](#) [ADTSM32NVTR](#) [ADTSM61YVTR](#) [ADTSM63SVTR](#) [ADTSM644KVTR](#) [ADTSMW64RV](#) [ADTSMW69NV](#)  
[FSMRA4JHA04](#) [GS4.70F300QP](#) [D38999/20JJ37SA](#) [TL1105B](#) [TL1105J](#) [ATH447K2Q](#) [ATM534VTR](#)