



FCIconnect.com

Copyright FCI

form: A3

PRODUCT NUMBER
75160-XXX-XXLF

ROHS COMPLIANT & COMPATIBLE, SEE NOTE 8

TOTAL NB OF POSITIONS 02 TO 36

PIN STYLE SEE SHEET 2

PLATING:
1 = 0.76µm FULL GOLD/GXT
3 = 2µm MIN MATTE TIN FULL PLATED
8 = 0.38µm FULL GOLD/GXT
1.27µm MIN NICKEL UNDERPLATING

NOTES:

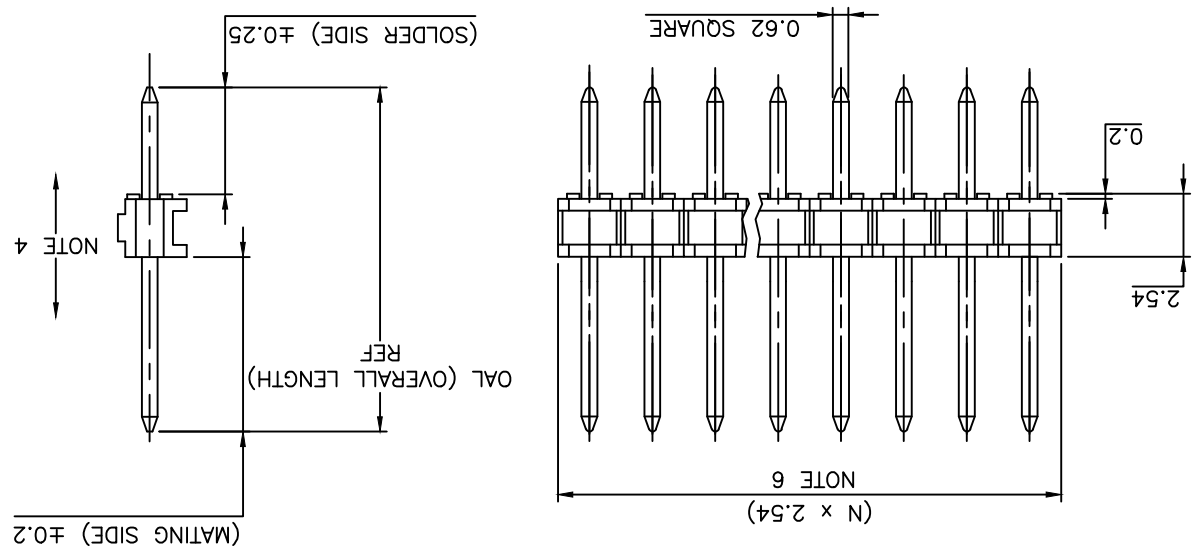
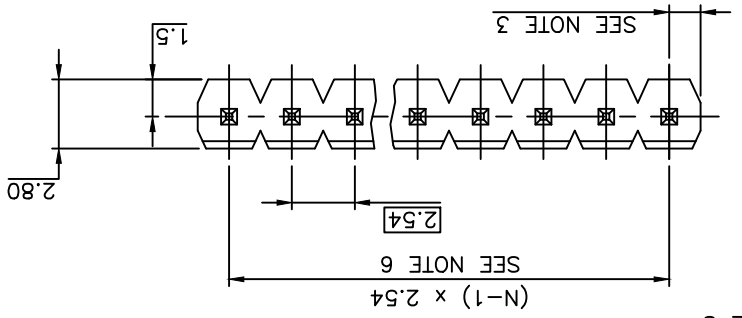
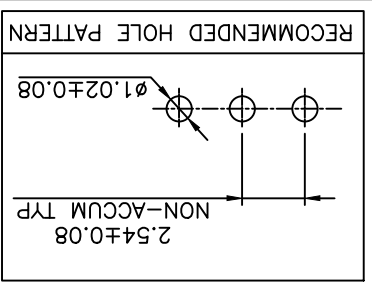
1. HOUSING MAT'L : HIGH TEMPERATURE THERMOPLASTIC FLAME RETARDANT PER UL94-V0, COLOR BLACK.
2. PIN MATERIAL : PHOSPHOR BRONZE.
3. DIM 1.27^{+0.03}_{-0.13} FOR MOULDED SIDE(S) ONLY, IF SIDE(S) ARE BROKEN, DIM 1.02 TO 1.7 MAX APPLIES.
4. PIN PUSH OUT FORCE : 12N MIN.
5. PRODUCT PACKAGED IN POLY BAGS.
6. TO DETERMINE DIMENSIONS :
N = NUMBER OF POSITIONS
EXAMPLE : 8 POS N x 2.54 = 20.32mm
7. FOR STANDARD SELECTIVE GOLD PLATED PRODUCTS, SEE DRAWING 77311.
8. ROHS COMPATIBLE PRODUCT SPECIFICATIONS

a - "LF" MEANS THE PRODUCT IS LEAD-FREE

b - MANUFACTURING PROCESS COMPATIBILITY

- THE HOUSING WILL WITHSTAND EXPOSURE TO 260°C ±5°C SOLDER BATH TEMPERATURE FOR 5 SECONDS IN A WAVE SOLDER APPLICATION WITH A 1.6mm MIN THICK CIRCUIT BOARD.

c - LABELING:
- MEETS PACKAGING SPECS AS PER GS-14-920
- LEGAL STATEMENT: SEE GS-47-0004

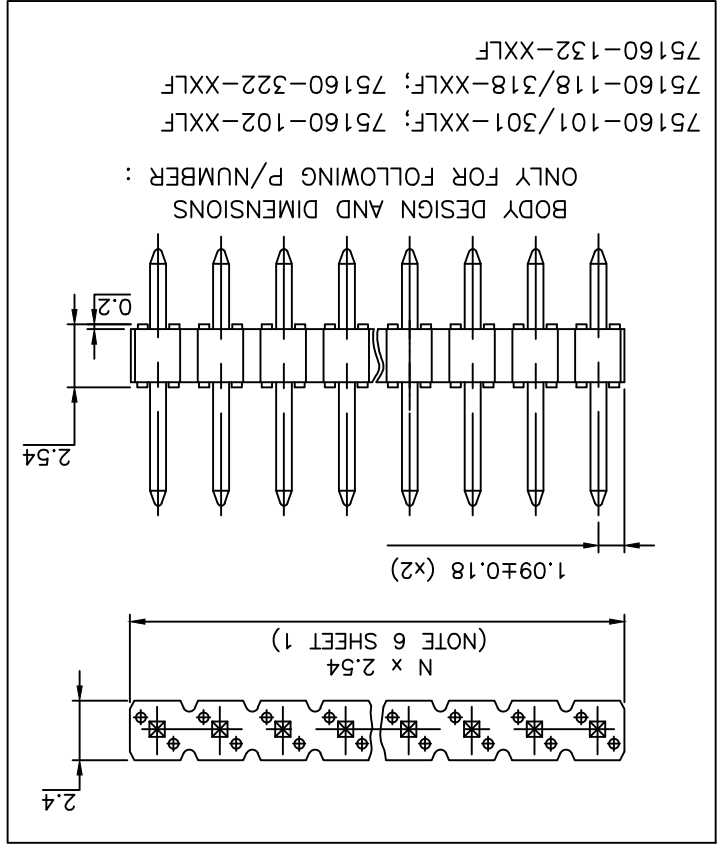


mat'l. code	SEE NOTES	ISO 1302	tolerance unless otherwise specified	projection	product family	BERGSTIK
surface	ISO 1302	ISO 406 ISO 1101	tolerances unless otherwise specified	ISO 1101	product family	BERGSTIK
angles	LJU 03.12.03	x ±0.3	linear	mm	title	HEADER SR, STR
BT F05-0196	JCO 05.04.29	xxx ±0.05	scale 5:1	mm	type	CUSTOMER
BV F08-0148	JCO 08.05.27	engr JMC	02.01.15	02.01.15	dwg no	75160
BW B-19264	LMU 14.10.31	chr COMPAGNON	02.01.15	02.01.15	sheet 1 of 2	A3
sheet	revision	BW BK	sheet	index	sheet	index

6 5 4 3 2 1 6 5 4 3 2 1

APPLICATION SPECIFIC			
PIN	STYLE	MATING	SOLDER
01	5.72	2.54	10.8
02	5.84	3.43	11.81
03	5.72	5.09	13.34
04	5.72	7.62	15.88
05	5.72	10.16	18.42
06	5.72	12.7	20.96
07	5.72	15.24	23.5
08	5.72	17.78	26.04
09	5.72	20.32	28.58
10	5.72	22.86	31.12
11	5.72	5.97	14.22
12	5.72	8.51	16.76
13	5.72	11.05	19.3
14	5.72	16.13	24.38
15	8.51	2.54	13.59
16	8.51	5.51	16.56
17	8.51	10.59	21.64
18	5.72	3.05	11.3
19	12.83	3.05	18.42
20	15.37	3.05	20.96
21	20.45	3.05	26.04
22	7.75	3.05	13.34
23	5.84	4.95	13.34
24	7.21	3.05	12.8
25	8.51	3.18	14.22
26	15.57	2.84	20.96

APPLICATION SPECIFIC			
PIN	STYLE	MATING	SOLDER
27	6.6	2.67	11.81
28	6.6	4.19	13.34
29	17.53	3.43	23.5
30	22.61	3.43	28.58
31	8.2	2.84	13.59
32	10.29	3.05	15.88
35	25.21	3.37	31.12
38	5.84	3.81	12.19
39	11.17	3.05	16.76
41	4.99	2.8	10.33
43	6.98	4.8	14.32
44	12.27	3.35	18.16
46	8.08	2.72	13.34
48	5.84	2.42	10.8
50	5.84	3.12	11.5
56	5.72	3.05	11.3
61	16.61	3.2	22.35
62	13.5	3.05	19.09
70	6.54	3.5	12.57
73	28.4	3.18	34.12
75	16.47	10.3	29.31
79	3.3	3.3	9.14
80	8.07	2.2	12.81
90	1.9	3.56	8
95	15.96	4	22.5
96	5.84	3.43	11.81



ONLY FOR FOLLOWING P/NUMBER :

- 75160-101/301-XXLF; 75160-102-XXLF
- 75160-118/318-XXLF; 75160-322-XXLF
- 75160-132-XXLF

APPLICATION SPECIFIC			
PIN	STYLE	MATING	SOLDER
97	7.75	3.05	13.34
98	10.29	3.05	15.88

mat'l. code	SEE P/N	surface tolerance	ISO 1302	projection	ISO 406 ISO 1101	tolerances unless otherwise specified	linear	xxx #0.3	mm	angles	linear	xxx #0.15	mm	scale 5:1	product family	BERGSTIK	title	HEADER STR,SR	2.54mm PITCH	dwg no	75160	sheet 2 of -	size	A3	
BH	F05-0186	JCO	05.04.29	dr	date	tolerances unless otherwise specified	linear	xxx #0.3	mm	angles	linear	xxx #0.15	mm	scale 5:1	product family	BERGSTIK	title	HEADER STR,SR	2.54mm PITCH	dwg no	75160	sheet 2 of -	size	A3	
BK	B-19264	LMU	14.10.31	dr	date	tolerances unless otherwise specified	linear	xxx #0.3	mm	angles	linear	xxx #0.15	mm	scale 5:1	product family	BERGSTIK	title	HEADER STR,SR	2.54mm PITCH	dwg no	75160	sheet 2 of -	size	A3	
BF	F20607	LM	03.12.03	chr																					
BG	F03079	LMU	03.04.04	appd	JMC	99.04.07																			
sheet	revision	index	sheet																						

X-ON Electronics

Largest Supplier of Electrical and Electronic Components

Click to view similar products for [Headers & Wire Housings](#) category:

Click to view products by [FCT Electronics](#) manufacturer:

Other Similar products are found below :

[95000-104TRLF](#) [10135584-644402LF](#) [DF62W-EP2022PCA](#) [95000-106TRLF](#) [DF62W-2022SCA](#) [DF62W-EP2022PC](#) [2203348](#) [DF62W-2022SC](#) [1084018](#) [1029039](#) [1084017](#) [802-10-012-10-002000](#) [1112640](#) [1112639](#) [891-007-9SS-BST1T](#) [000-34000](#) [0008550134](#) [0009482033](#) [0009507031](#) [57102-F02-18ULF](#) [57102-S06-03LF](#) [57202-S52-04LF](#) [PCN6-15S-2.5E](#) [0039019024](#) [58102-G61-06LF](#) [582553-1](#) [0009485154](#) [0009508121](#) [009176003701906](#) [0022285053](#) [0050291907](#) [018731A](#) [LY20-4P-DT1-P1E-BR](#) [02.125.8002.8](#) [60101931](#) [60598-1 \(Cut Strip\)](#) [M1625-3R/100](#) [61062-3](#) [61082-181009](#) [CSU011177004](#) [636-1427](#) [638009-1](#) [641938-9](#) [641991-4](#) [644168-1](#) [644827-2](#) [647662-1](#) [65039-019ELF](#) [65692-001LF](#) [65781-018](#)