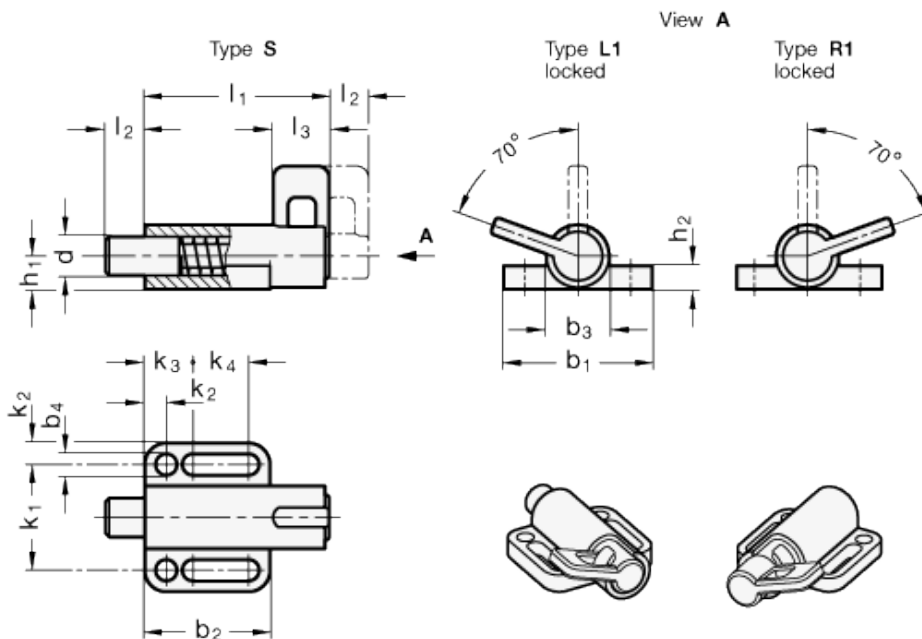


# GN 416

Spring latches



## technical informations

### Housing

Zinc die casting, plastic coated, RAL 9005, textured finish.

### Plunger

Zinc-plated steel, blue passivated.

### Spring

AISI 301 Stainless Steel.

## Latch lever

Plastic Technopolymer (Polyamide PA)

- black, matte
- not removable

## Standard versions available

- Type S: without locking, without rest position.
- Type L1: Locking / Rest Position via counterclockwise rotation.
- Type R1: Locking / Rest Position via clockwise rotation.

## Features and applications

The plunger of spring latches GN 416 is operated by an axial pulling of the latch lever. This kind of operation from the top side is advantageous in certain installation situations. The pins of Type S spring latches are engaged in the housing to prevent rotation, and therefore lock in the starting position but not the retracted position. Types R1 and L1 spring latches offer a locking function in the starting as well as in the retracted position, preventing an unintentional operation. A lock notch holds the latch lever in both positions. The adjustment range is designed in such a way that ISO 7092 washers can be used within the adjustment slot in the housing.

Standard Elements	Main dimensions														Spring load in N $\approx$		Weight
Description	d	b <sub>1</sub>	b <sub>2</sub>	b <sub>3</sub>	b <sub>4</sub>	h <sub>1</sub>	h <sub>2</sub>	k <sub>1</sub>	k <sub>2</sub>	k <sub>3</sub>	k <sub>4</sub>	l <sub>1</sub>	l <sub>2 min.</sub>	l <sub>3</sub>	initial	end	g
GN 416-6-38-S	6	38	32	16	5.4	8.5	6	27	5.5	12	14.5	47	10	14	21	27	68
GN 416-8-38-S	8	38	32	16	5.4	8.5	6	27	5.5	12	14.5	47	10	14	21	27	85
GN 416-8-46-S	8	46	40	20	6.4	11	6	33	6.5	14.5	19	59	12	17	25	38	108
GN 416-10-38-S	10	38	32	16	5.4	8.5	6	27	5.5	12	14.5	47	10	14	21	27	120
GN 416-10-46-S	10	46	40	20	6.4	11	6	33	6.5	14.5	19	59	12	17	25	38	132
GN 416-12-46-S	12	46	40	20	6.4	11	6	33	6.5	14.5	19	59	12	17	25	38	139
GN 416-6-38-L1	6	38	32	16	5.4	8.5	6	27	5.5	12	14.5	47	10	14	21	27	68
GN 416-8-38-L1	8	38	32	16	5.4	8.5	6	27	5.5	12	14.5	47	10	14	21	27	85
GN 416-8-46-L1	8	46	40	20	6.4	11	6	33	6.5	14.5	19	59	12	17	25	38	108
GN 416-10-38-L1	10	38	32	16	5.4	8.5	6	27	5.5	12	14.5	47	10	14	21	27	120
GN 416-10-46-L1	10	46	40	20	6.4	11	6	33	6.5	14.5	19	59	12	17	25	38	132
GN 416-12-46-L1	12	46	40	20	6.4	11	6	33	6.5	14.5	19	59	12	17	25	38	139
GN 416-6-38-R1	6	38	32	16	5.4	8.5	6	27	5.5	12	14.5	47	10	14	21	27	68
GN 416-8-38-R1	8	38	32	16	5.4	8.5	6	27	5.5	12	14.5	47	10	14	21	27	85
GN 416-8-46-R1	8	46	40	20	6.4	11	6	33	6.5	14.5	19	59	12	17	25	38	108
GN 416-10-38-R1	10	38	32	16	5.4	8.5	6	27	5.5	12	14.5	47	10	14	21	27	120
GN 416-10-46-R1	10	46	40	20	6.4	11	6	33	6.5	14.5	19	59	12	17	25	38	132
GN 416-12-46-R1	12	46	40	20	6.4	11	6	33	6.5	14.5	19	59	12	17	25	38	139



STANDARD MACHINE ELEMENTS WORLDWIDE

## X-ON Electronics

Largest Supplier of Electrical and Electronic Components

*Click to view similar products for [Electrical Enclosure Accessories](#) category:*

*Click to view products by [Elesa & Ganter](#) manufacturer:*

Other Similar products are found below :

[60121-06-028 C-325 Black](#) [71884-04-028 CM3-100 Black](#) [71884-18-028 LH43-200 Black](#) [71884-24-028 LH75-200 Black](#) [71885-01-028 CM6-150 Black](#) [72459-02-028 DM-3 BLACK](#) [81501-01-000 XPL, 9VB Black](#) [82402-01 PT-8 ALUM](#) [1335GSKT3](#) [14101FP-PK](#) [CB-1263-BT](#) [1611512-4](#) [HB-11498](#) [RC-7775](#) [HM BLACK PANEL](#) [61033-01-000](#) [115123-01-508 CN-RL RS](#) [115124-01-508 CN-XRL XRS](#) [115119-01-000 CN-RL RS](#) [115123-01-000 CN-RL RS](#) [60121-04-028 C-275 Black](#) [60128-01-072](#) [60222-01-028 CM6-225 Black](#) [60272-01-028 CM3-150 Black](#) [60851-01-028 CM69-120 Black](#) [62291-502-000-KEU-10-BLK](#) [62452-01-000 HML-9VB, EB Black](#) [71884-25-028 LH89-130 Black](#) [AXX2POSTBRCKT](#) [FUPMESK](#) [71884-23-028 LH75-130 Black](#) [1317GSKTSC](#) [8G813V40389](#) [DVA.1-10-15-M4-10-70](#) [DVC.1-60-49-60-M10-28-55](#) [DVC.1-15-8,5-15-M4-10-40](#) [DVC.1-20-12-30-M6-18-40](#) [DVC.1-30-18-25-M8-20-40](#) [DVC.1-35-31-15-M8-20-40](#) [DVC.1-35-31-15-M8-20-70](#) [DVC.1-75-60-40-M12-37-70](#) [DVC.2-30-22-20-M8-20-55](#) [DVC.2-40-30-25-M8-23-55](#) [DVC.2-75-60-40-M12-37-55](#) [DVC.2-21-16-22-M6-18-40](#) [DVC.2-40-20-48-M8-23-40](#) [DVC.2-40-32-50-M8-23-40](#) [DVC.2-20-14-19-M6-18-70](#) [DVC.2-25-18-20-M6-18-70](#) [DVC.3-20-14-20-M6-40](#) [DVC.3-20-14-30-M6-40](#)