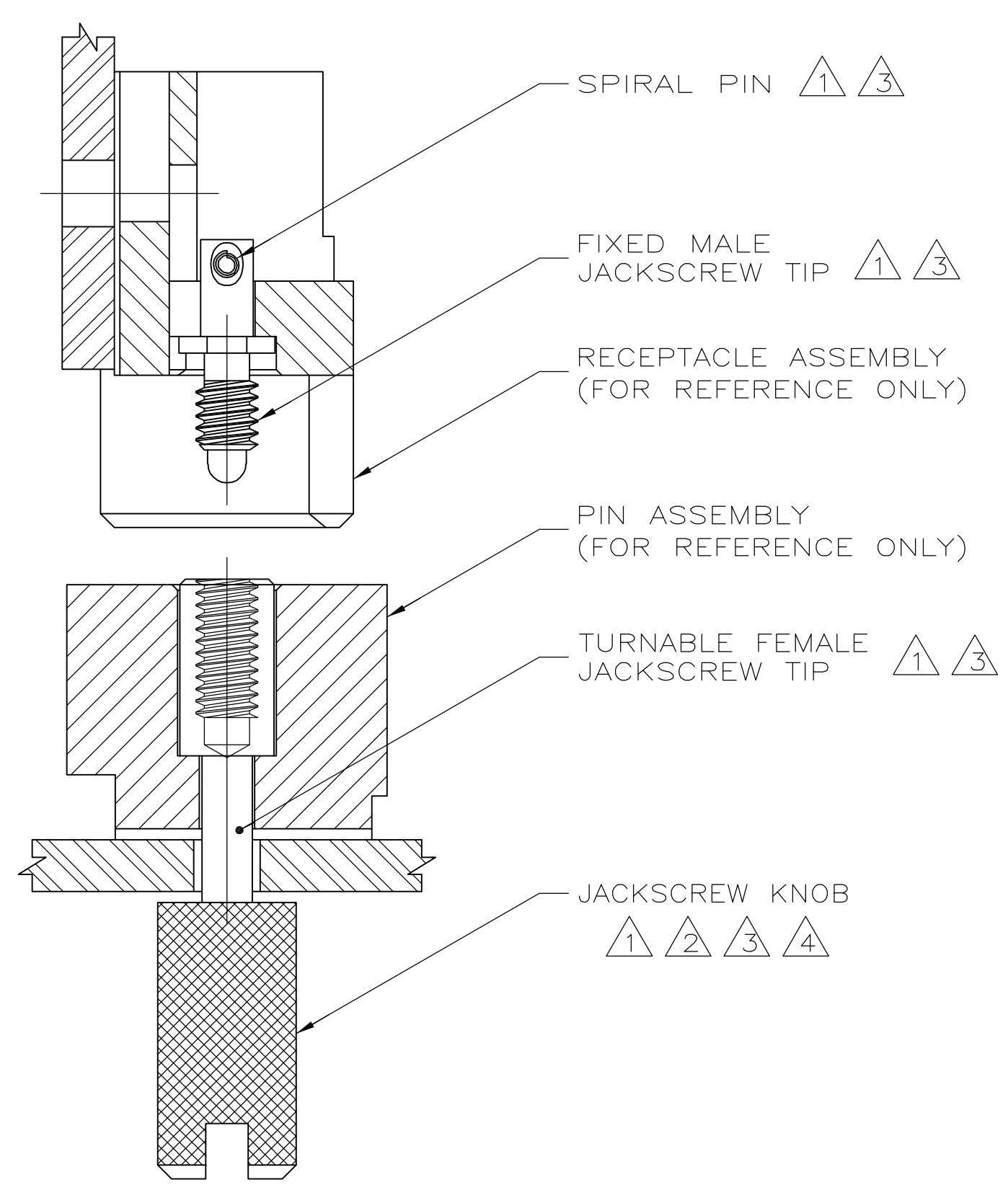
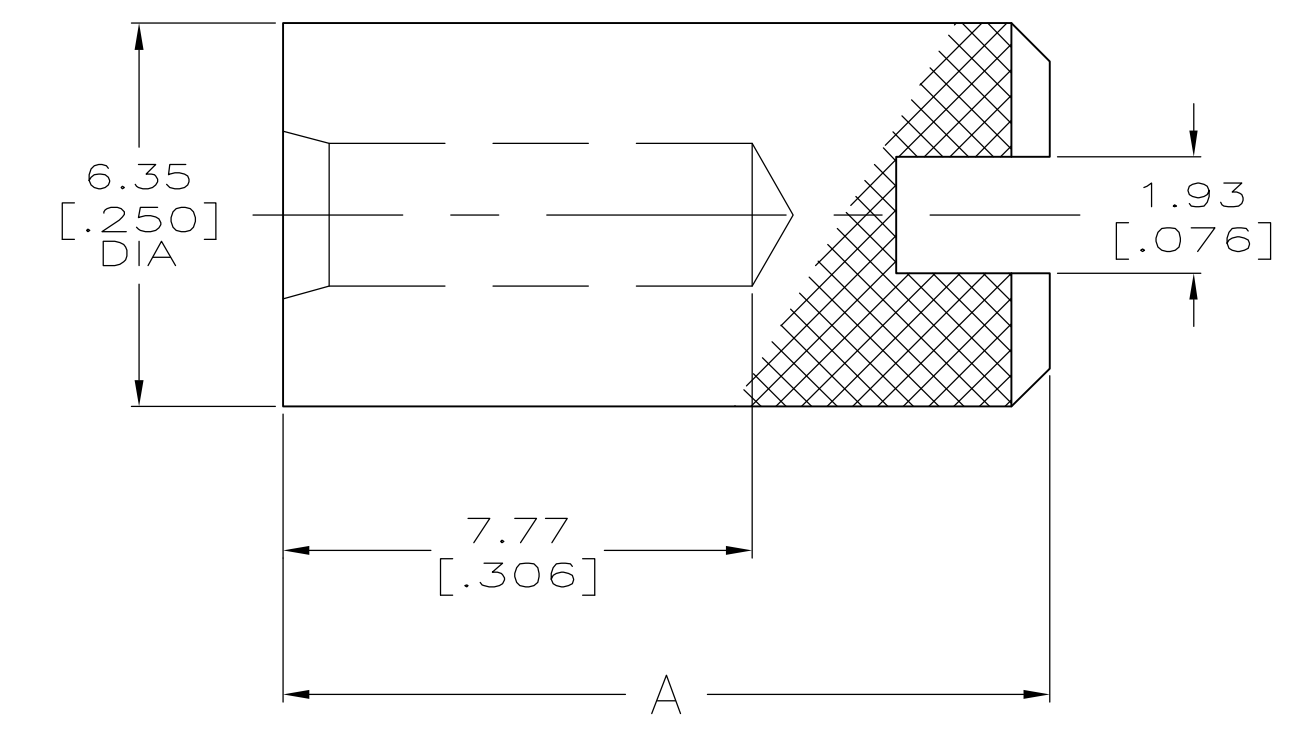
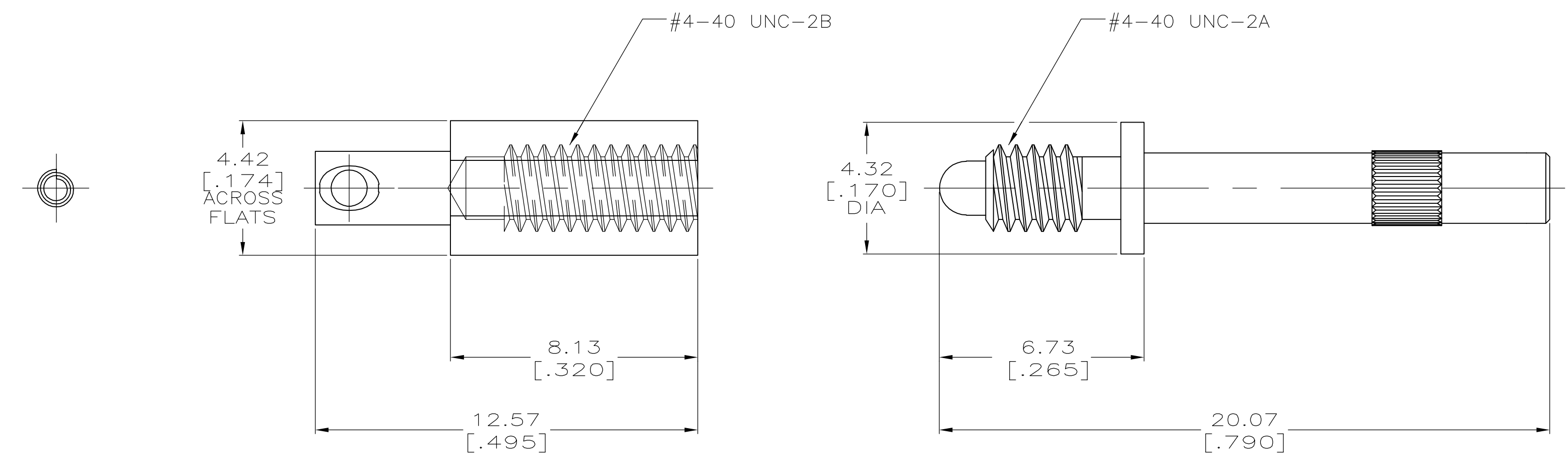


- ① MATERIAL: STAINLESS STEEL.
- ② MATERIAL: BRASS.
- ③ FINISH: PASSIVATE.
- ④ FINISH: 0.00038-0.00102 [.000150-.000400] NICKEL PLATE.
- ⑤ PART NUMBER IS OBSOLETE.



⑤	---	---	---	---	532805-8
⑤	---	---	---	---	532805-7
⑤	---	---	---	---	532805-6
⑤	---	---	---	---	532805-5
⑤	YES	③	①	3.18 [1.250]	532805-4
⑤	YES	③	①	1.27 [.500]	532805-3
⑤	NO	③	①	1.27 [.500]	532805-2
⑤	-	③	①	-	532805-1
	SLOT FOR SCREWDRIVER	FINISH	MATERIAL	A	PART NUMBER

THIS DRAWING IS A CONTROLLED DOCUMENT.		DRN R.K. SEIFRIED 1-31-94	Tyco Electronics Corporation Harrisburg, PA 17105-3608																					
DIMENSIONS: mm [INCHES]		TOLERANCES UNLESS OTHERWISE SPECIFIED:	PRODUCT SPEC																					
<table border="1"> <tr><td>0 PLC</td><td>±</td><td>-</td></tr> <tr><td>1 PLC</td><td>±</td><td>-</td></tr> <tr><td>2 PLC</td><td>±</td><td>-</td></tr> <tr><td>3 PLC</td><td>±</td><td>.005</td></tr> <tr><td>4 PLC</td><td>±</td><td>-</td></tr> <tr><td>ANGLES</td><td>±</td><td>-</td></tr> <tr><td>FINISH</td><td>±</td><td>-</td></tr> </table>		0 PLC	±	-	1 PLC	±	-	2 PLC	±	-	3 PLC	±	.005	4 PLC	±	-	ANGLES	±	-	FINISH	±	-	NAME	
0 PLC	±	-																						
1 PLC	±	-																						
2 PLC	±	-																						
3 PLC	±	.005																						
4 PLC	±	-																						
ANGLES	±	-																						
FINISH	±	-																						
MATERIAL		APPLICATION SPEC																						
① ②		SIZE CAGE CODE DRAWING NO																						
③ ④		A1 00779 ©=532805																						
CUSTOMER DRAWING		RESTRICTED TO																						
SCALE 8:1		SHEET 1 OF 1 REV J																						

X-ON Electronics

Largest Supplier of Electrical and Electronic Components

Click to view similar products for [High Speed/Modular Connectors](#) category:

Click to view products by [TE Connectivity](#) manufacturer:

Other Similar products are found below :

[2332816-1](#) [89006-1137LF](#) [650827-1](#) [65762-001LF](#) [73474-201LF](#) [74040-1346](#) [74075-0267](#) [88911-201LF](#) [9514M0C20D](#) [1410191-1](#)
[1410337-1](#) [1410368-3](#) [1410964-2](#) [1410326-3](#) [1410367-3](#) [1410971-4](#) [1467833-1](#) [2000877-1](#) [2000878-1](#) [2041314-1](#) [2065387-1](#) [2187307-1](#)
[2187462-1](#) [2226278-6](#) [KA81-07](#) [91290-101LF](#) [1934290-1](#) [2000875-1](#) [2065917-1](#) [2102736-2](#) [FSR-40](#) [2169868-2](#) [2226279-2](#) [22354-8](#) [437-](#)
[5040-000](#) [5-1393565-0](#) [532449-3](#) [532803-2](#) [34745-0001](#) [0740618502](#) [0760151403](#) [0760551105](#) [0760551608](#) [0761451128](#) [0761651124](#)
[0761655108](#) [0761659807](#) [0769853208](#) [0736440217](#) [0758324203](#)