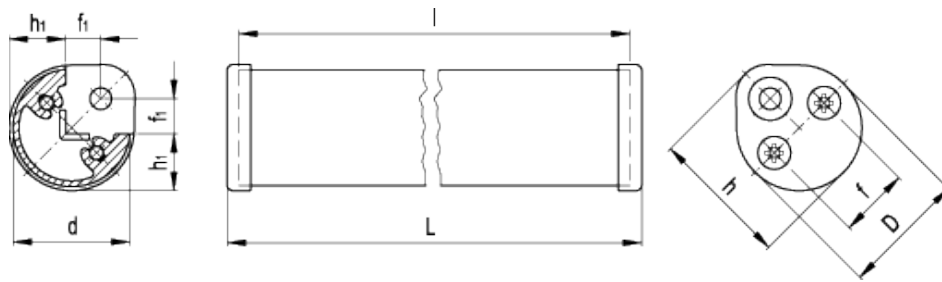


GN 481

Edge handles



technical informations

Material

Aluminium profile, \varnothing 30 mm.

End caps

Die-cast zinc alloy. Fitted to the tube by means of self-tapping countersunk head screws DIN 7500-1, type M with TORX[®] (registered trademark of TEXTRON INC.).

Colour

RAL 9005 black colour, matte finish, epoxy resin coating.

Assembly

Through holes, for countersunk head screws.

Features and applications

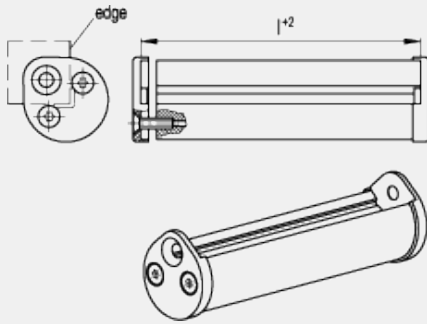
The standard profile length can be easily adapted (by cutting it according to your need) to the edge of the application, thanks to the special geometry of the profile in which the screws of the end caps directly tap their assembly holes.

Assembly instructions

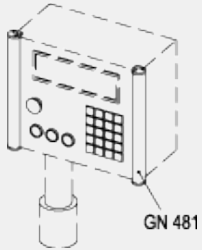
In order to assemble easily the profile to the edge ($l + 2 \text{ mm}$), we suggest you do not tighten completely the self-tapping screws to the end caps.

Once the profile is fitted to the edge:

- tighten the end caps self-tapping screws
- fit the handles by means of the two countersunk head screws.



Application example



Standard Elements	Main dimensions								Weight
Description	L	l	D	f	f ₁	h	h ₁ ^{-0.5}	d ^{-0.5}	g
GN 481-30-100-SW	106	100	32	18	9	34.5	14.5	30	105
GN 481-30-200-SW	206	200	32	18	9	34.5	14.5	30	150
GN 481-30-300-SW	306	300	32	18	9	34.5	14.5	30	195
GN 481-30-400-SW	406	400	32	18	9	34.5	14.5	30	250
GN 481-30-500-SW	506	500	32	18	9	34.5	14.5	30	300



ELESA and GANTER models all rights reserved in accordance with the law. Always mention the source when reproducing our drawings.

STANDARD MACHINE ELEMENTS WORLDWIDE

X-ON Electronics

Largest Supplier of Electrical and Electronic Components

Click to view similar products for [Mounting Fixings](#) category:

Click to view products by [Elesa & Ganter](#) manufacturer:

Other Similar products are found below :

[5912235-1 REV](#) - [5912235-2](#) [007310](#) [007541](#) [6-141-P](#) [620HA038NF09](#) [620HA038NF11](#) [M81714/60-22-01 L/C](#) [MA1EAF1200](#) [70-584649-01P](#)
[71-074914-006](#) [71-215091-8S](#) [712HA170B23128-N](#) [71-441549-19S](#) [71-441864-5S](#) [71-490451-4H](#) [EX-13-3-B-16-325PN](#) [75-69116-8S](#) [75-69211-](#)
[3P](#) [75-69220-27S](#) [75-69224-5S](#) [75-69614-2S](#) [770-006A109](#) [770-006A109R](#) [770-006A207](#) [770-006A208W1](#) [770-006A209](#) [770-006A306](#) [770-](#)
[006A703W1](#) [770-006A704](#) [770-006A704W1](#) [770-006A705](#) [770-006A706](#) [770-006A706W1](#) [770-006A707](#) [770-006A709](#) [770-007A203](#) [770-](#)
[007A203W1](#) [770-007A204W1](#) [770-007A207W1](#) [770-007A703](#) [770-007A704W1](#) [770-007A706](#) [770-007A707W1](#) [770-010Y208](#) [770-010Y308](#)
[770-010Y705](#) [770-010Y706](#) [770-010Y707W1](#) [770-011T201](#)