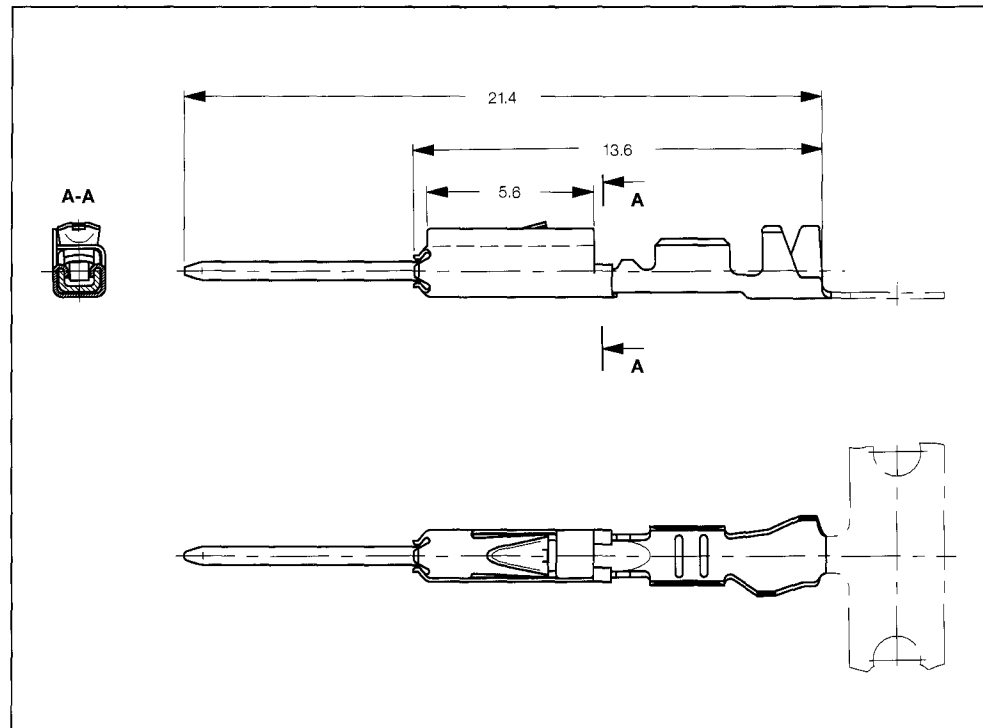


Pin Contacts

**Pin 0.63 x 0.63 mm,
Mates with
Micro Quadlok**



Standard Receptacle Contacts

Wire Size Range (mm ²)	Insulation Diameter		Material and Finish	Part Numbers				Applicator		Hand Tool 539635-1 with Die Set
	FLK (mm)	FLR (mm)		Strip Form	Package Quantity	Loose-Piece	Package Quantity	Standard	Fine Adjust	
0.14-0.22	-	0.9-1.2	tin plated	1355719-1	13,000	1355720-1	500	1426402	1528009	5-1579001-2
			gold plated	1355719-2	13,000	1355720-2	500			
0.20-0.50	-	0.9-1.6	tin plated	1-928918-1	13,000	1-963725-1	500	1238043*	1528035*	539682-2
			gold plated	1-928918-2	13,000	2-963725-1	500			
0.50-0.75	-	1.6-1.9	tin plated	963716-1	10,000	963730-1	500	1238051	1528037	3-1579001-5
			gold plated	963716-2	10,000	963730-2	500			

*) Applicator: Part No. **1426459** and **1528313** for use with 0.2 mm² wire

Single Wire Sealing System

Wire Size Range (mm ²)	Insulation Diameter		Material and Finish	Part Numbers				Applicator		Hand Tool 539635-1 with Die Set
	FLK (mm)	FLR (mm)		Strip Form	Package Quantity	Loose-Piece	Package Quantity	Standard	Fine Adjust	
0.20-0.50	-	0.9-1.6	tin plated	962886-1	10,000	963728-1	500	1426108	1528022	539685-2
			gold plated	962886-2	10,000	963728-2	500			
0.50-0.75	-	1.6-1.9	tin plated	965908-1	10,000	965909-1	500	1426123	1528071	5-1579001-1
			gold plated	965908-2	10,000	965909-2	500			

MQS Flexible Flat Cable (FFC) Pin Contacts

Wire Size Range (mm ²)	Insulation Diameter		Material and Finish	Part Numbers				Applicator		Hand Tool
	FLK (mm)	FLR (mm)		Strip Form	Package Quantity	Loose-Piece	Package Quantity	Standard	Fine Adjust	
-	-	-	pre-tin plated	1452128-1	13,000	1452129-1	500	-	-	90273-5

*) Depending on Foil

X-ON Electronics

Largest Supplier of Electrical and Electronic Components

Click to view similar products for te connectivity manufacturer:

Other Similar products are found below :

[570416-000](#) [CLTEQ-M81CE-SSRELAY-4-20V](#) [4-1633138-8](#) [D38999/24FJ4AN](#) [4-1195131-0](#) [650069-000](#) [SMD100-2](#) [2EDL4CM](#)
[DTS20W19-11PD-3028](#) [DTS20W19-11PD-3028-LC](#) [DTS20W19-32SD-3028-LC](#) [DTS20W19-32SD-3028](#) [NC6-P104-06](#) [TXR64AB90-](#)
[3616AI](#) [DTS26F21-41HE](#) [DTS26F21-41AE](#) [DTS26F21-41PE-LC](#) [DTS26F21-11SE-3028-LC](#) [D38999/24WF32JE](#) [D38999/24WF32SE-LC](#)
[DTS24W19-32HE](#) [D38999/20JB35HA](#) [D38999/24WJ20PA](#) [164-8033-08](#) [D38999/24FF32JE](#) [D38999/24FF32SE-LC](#) [D38999/24WF32JB](#)
[D38999/24WG11HA](#) [D38999/24WG11HN](#) [MS27467T21F11H](#) [DJT16E21-11HA](#) [DTS24F19-32HE](#) [DTS20W19-32SA-3028-LC](#) [DTS24F19-](#)
[11SC-3028-LC](#) [DTS24F19-11SC-3028](#) [DJT14E13-98HB](#) [D38999/20WC8BB](#) [1-330599-5](#) [DTS24F21-41HN-LC](#) [DTS24F21-41HN](#)
[DTS24F21-41AN](#) [DTS24F21-39HN](#) [DTS24F21-41PN-LC](#) [AFD50-10-6SN-1A-LC](#) [DJT10F17-26HC](#) [DTS24W19-32HB](#) [ACT20JE99HA](#)
[DJT10E17-26HC](#) [DJT10E17-26HN](#) [DJT10F17-26HA](#)