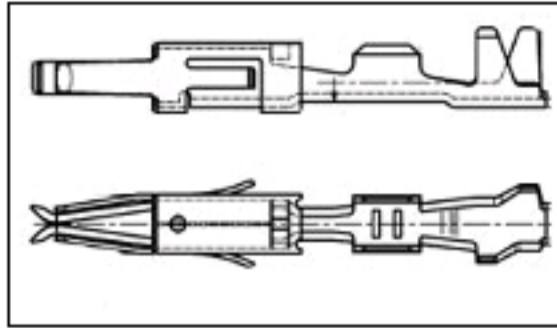




# 962944-2 Product Details

[Share](#) [Print](#) [Email](#)



962944-2

TE Internal Number: 962944-2  
 Active

[View 3D PDF](#)

## Timer Contacts

Always EU RoHS/ELV Compliant (Statement of Compliance)

### Product Highlights:

- Timer Products Product Line
- Micro-Timer II Series
- Wire-to-Wire
- Applies To Wire/Cable
- Contact

[View all Features](#)

## Quick Links

- ▶ [Pricing & Availability](#)
- ▶ [Search for Tooling](#)
- ▶ [Product Feature Selector](#)
- ▶ [Contact Us About This Product](#)

[Add to My Part List](#) [Request Sample](#) [Find Similar Products](#) [Buy Product](#)

## Documentation & Additional Information

### Product Drawings:

- MICRO TIMER 2 CONTACT Micro Timer 2 Kontakt (TIF, German)

### Catalog Pages/Data Sheets:

- None Available

### Product Specifications:

- None Available

### Application Specifications:

- None Available

### Instruction Sheets:

- None Available

### CAD Files: (CAD Format & Compression Information)

- 2D Drawing (DXF, Version J1)
- 3D Model (IGES, Version J1)
- 3D Model (STEP, Version J1)

### Additional Information:

- [Product Line Information](#)

### Additional Product Images:

- [Line Drawing](#)

### Related Products:

- [Tooling](#)

[List all Documents](#)

## Product Features (Please use the Product Drawing for all design activity)

### Product Type Features:

- Product Line = Timer Products
- Series = Micro-Timer II
- Product Type = Contact
- Cable Type = FLR (Thin Walled Cable)
- Termination Method to Wire/Cable = Crimp
- Wire/Cable Type = Discrete Wire
- Insulation Support = With

### Electrical Characteristics:

- Contact - Rated Current (A) = 10

### Termination Features:

- Wire/Cable Size (AWG) = 20 - 24
- Wire/Cable Size (mm<sup>2</sup>) = 0.2 - 0.5

### Dimensions:

- Mating Area Interface Dimensions (mm [in]) = 1.60 x 0.60 [.063 x .0236]

### Body Features:

- Single Wire Sealing System = No

### Contact Features:

- Contact Type = Socket
- Contact Design = Flat, Steel Cantilever Spring
- Contact Base Material = CuFe2
- Contact Plating, Mating Area, Material = Pre-Tin

### Configuration Features:

- GET 0.64 Connector System = No

### Industry Standards:

- RoHS/ELV Compliance = RoHS compliant, ELV compliant
- Lead Free Solder Processes = Not relevant for lead free process
- RoHS/ELV Compliance History = Always was RoHS compliant
- Agency/Standard = IEC 664/664A (DIN VDE 0110)

### Environmental:

- Operating Temperature (°C [°F]) = -40 - +120 [-40 - +248]

### Conditions for Usage:

- Applies To = Wire/Cable
- Accepts Wire Insulation Diameter, Range (mm [in]) = 1.15 - 1.60 [0.045 - 0.063]

### Operation/Application:

- Application Use = Wire-to-Wire
- Contact Transmits (Typical Application) = Power

### Packaging Features:

- Packaging Method = Loose Piece
- Packaging Quantity = 1,000

### Other:

- Brand = AMP
- Comment = Insulation barrel pre-crimped.; Refer to the application and product specification for additional information.; With Spring 1.

## Corporate Information

- [About TE](#)
- [Investors](#)
- [News Room](#)
- [Supplier Portal](#)
- [Careers](#)
- [Terms & Conditions](#)
- [Privacy Policy](#)

## Quick Links

- [Distributor Inventory](#)
- [Product Cross Reference](#)
- [Documents & Drawings](#)
- [Product Compliance Support Center](#)
- [Site Map](#)

## Customer Support

- [Email or Chat With Us](#)
- [Find a Phone Number](#)
- [Knowledge Base](#)
- [Manage Your Account](#)

## Keep Me Informed

Receive TE News, Events & Technology Updates

Enter your email address



## X-ON Electronics

Largest Supplier of Electrical and Electronic Components

*Click to view similar products for te connectivity manufacturer:*

Other Similar products are found below :

[570416-000](#) [CLTEQ-M81CE-SSRELAY-4-20V](#) [4-1633138-8](#) [D38999/24FJ4AN](#) [4-1195131-0](#) [650069-000](#) [SMD100-2](#) [2EDL4CM](#)  
[DTS20W19-11PD-3028](#) [DTS20W19-11PD-3028-LC](#) [DTS20W19-32SD-3028-LC](#) [DTS20W19-32SD-3028](#) [NC6-P104-06](#) [TXR64AB90-](#)  
[3616AI](#) [DTS26F21-41HE](#) [DTS26F21-41AE](#) [DTS26F21-41PE-LC](#) [DTS26F21-11SE-3028-LC](#) [D38999/24WF32JE](#) [D38999/24WF32SE-LC](#)  
[DTS24W19-32HE](#) [D38999/20JB35HA](#) [D38999/24WJ20PA](#) [164-8033-08](#) [D38999/24FF32JE](#) [D38999/24FF32SE-LC](#) [D38999/24WF32JB](#)  
[D38999/24WG11HA](#) [D38999/24WG11HN](#) [MS27467T21F11H](#) [DJT16E21-11HA](#) [DTS24F19-32HE](#) [DTS20W19-32SA-3028-LC](#) [DTS24F19-](#)  
[11SC-3028-LC](#) [DTS24F19-11SC-3028](#) [DJT14E13-98HB](#) [D38999/20WC8BB](#) [1-330599-5](#) [DTS24F21-41HN-LC](#) [DTS24F21-41HN](#)  
[DTS24F21-41AN](#) [DTS24F21-39HN](#) [DTS24F21-41PN-LC](#) [AFD50-10-6SN-1A-LC](#) [DJT10F17-26HC](#) [DTS24W19-32HB](#) [ACT20JE99HA](#)  
[DJT10E17-26HC](#) [DJT10E17-26HN](#) [DJT10F17-26HA](#)