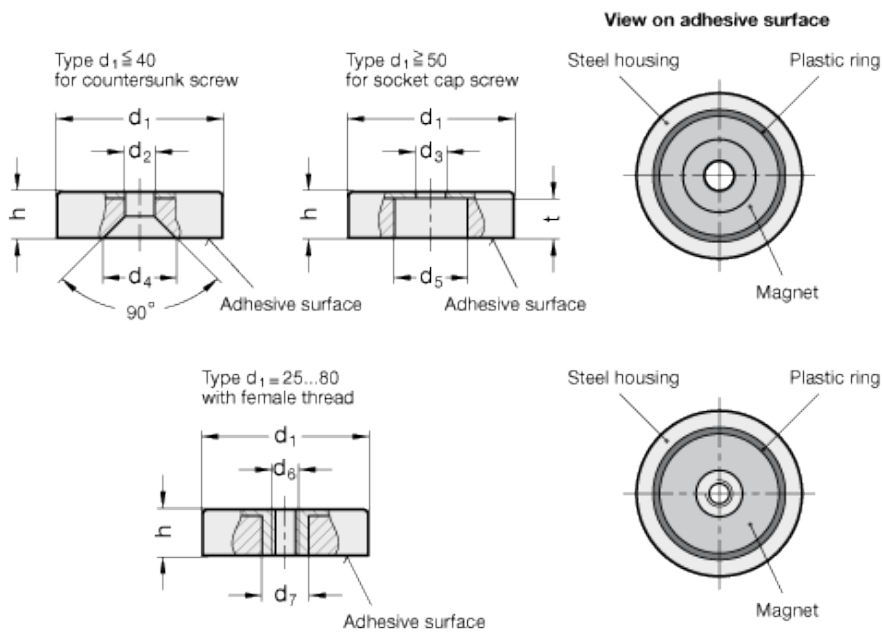


# GN 50.4

Retaining magnets



## technical informations

### Specification

Disc shaped, with bore / female thread  
Housing Steel, zinc plated

### Material of the magnet

- Version HF: Hard ferrite, temperature resistant up to 200° C.
- Version ND: Neodymium, iron, boron NdFeB ND, temperature resistant up to 80°.

### Features and applications

Retaining magnets GN 50.4 are a shielded magnetic system.

To ensure that the magnetic properties (adhesive forces) are not impaired, the fixing screws of the types for countersunk screws and socket cap screws must be made of non-magnetic material (magnetic not conductive).

Standard Elements	Main dimensions									Nominal adhesive forces	Weight
Description	d <sub>1</sub>	d <sub>2</sub>	d <sub>3</sub>	d <sub>4</sub>	d <sub>5</sub>	d <sub>6</sub>	d <sub>7</sub>	h	t	in N	g
GN 50.4-HF-16	16 <sub>+0.1/-0.1</sub>	3.5	-	7.5	-	-	-	4.5 <sub>+0.2/-0.1</sub>	-	14	4
GN 50.4-HF-20	20 <sub>+0.1/-0.1</sub>	4.1	-	10.5	-	-	-	6 <sub>+0.2/-0.1</sub>	-	27	9
GN 50.4-HF-25	25 <sub>+0.1/-0.1</sub>	5.5	-	12	-	-	-	7 <sub>+0.3/-0.2</sub>	-	36	17
GN 50.4-HF-32	32 <sub>+0.1/-0.1</sub>	5.5	-	12	-	-	-	7 <sub>+0.3/-0.1</sub>	-	72	27
GN 50.4-HF-40	40 <sub>+0.2/-0.1</sub>	5.5	-	13.5	-	-	-	8 <sub>+0.4/-0.1</sub>	-	90	52
GN 50.4-HF-50	50 <sub>+0.2/-0.1</sub>	-	8.5 ±0.2	-	22	-	-	10 <sub>+0.5/-0.1</sub>	8.5	180	84
GN 50.4-HF-63	63 <sub>+0.3/-0.1</sub>	-	6.5 ±0.2	-	24	-	-	14 <sub>+0.5/-0.1</sub>	12	290	197
GN 50.4-HF-80	80 <sub>+0.5/-0.1</sub>	-	6.5 ±0.2	-	11.5	-	-	18 <sub>+0.5/-0.1</sub>	15	540	458
GN 50.4-HF-100	100 <sub>+0.5/-0.1</sub>	-	10.5 ±0.2	-	34	-	-	22 <sub>+0.5/-0.1</sub>	18	680	815
GN 50.4-ND-16	16 <sub>±0.1</sub>	3.5	-	6.6	-	-	-	4.5 <sub>+0.2/-0.1</sub>	-	75	6
GN 50.4-ND-20	20 <sub>±0.1</sub>	4.5	-	9	-	-	-	6 <sub>+0.2/-0.1</sub>	-	105	13
GN 50.4-ND-25	25 <sub>±0.1</sub>	5.5	-	9	-	-	-	7 <sub>+0.3/-0.2</sub>	-	160	24
GN 50.4-ND-32	32 <sub>±0.1</sub>	5.5	-	11	-	-	-	7 <sub>+0.3/-0.1</sub>	-	310	39
GN 50.4-ND-40	40 <sub>+0.2/-0.1</sub>	5.5	-	10.6	-	-	-	8 <sub>+0.4/-0.1</sub>	-	500	73
GN 50.4-HF-25-M4	25 ±0.1	-	-	-	-	M4	5.2	7 <sub>+0.3/-0.2</sub>	-	36	17
GN 50.4-HF-32-M4	32 ±0.1	-	-	-	-	M4	5.2	7 <sub>+0.3/-0.1</sub>	-	72	29
GN 50.4-HF-40-M4	40 <sub>+0.2/-0.1</sub>	-	-	-	-	M4	5.2	8 <sub>+0.4/-0.1</sub>	-	90	54
GN 50.4-HF-50-M6	50 <sub>+0.2/-0.1</sub>	-	-	-	-	M6	12	10 <sub>+0.5/-0.1</sub>	-	180	96
GN 50.4-HF-50-M8	50 <sub>+0.2/-0.1</sub>	-	-	-	-	M8	12	10 <sub>+0.5/-0.1</sub>	-	180	92
GN 50.4-HF-63-M8	63 <sub>+0.3/-0.1</sub>	-	-	-	-	M8	13	14 <sub>+0.5/-0.1</sub>	-	290	209
GN 50.4-HF-80-M8	80 <sub>+0.5/-0.1</sub>	-	-	-	-	M8	14.5	18 <sub>+0.5/-0.1</sub>	-	540	482
GN 50.4-HF-80-M10	80 <sub>+0.5/-0.1</sub>	-	-	-	-	M10	14.5	18 <sub>+0.5/-0.1</sub>	-	540	479



STANDARD MACHINE ELEMENTS WORLDWIDE

# X-ON Electronics

Largest Supplier of Electrical and Electronic Components

*Click to view similar products for [Industrial Hall Effect/Magnetic Sensors](#) category:*

*Click to view products by [Elesa & Ganter](#) manufacturer:*

Other Similar products are found below :

[GT-13013](#) [GT-13040](#) [GT-14114](#) [GT-14123](#) [DRR-129\(62-68\)](#) [ATS682LSHTN-T](#) [SR4P2-C7](#) [GT-12076](#) [GT-13012](#) [GT-14049](#) [GT-14067](#) [GT-14132](#) [GT-18030](#) [103FW12-R3](#) [A1106EUA-T](#) [SMSA2P30CG](#) [P2D-000](#) [GN 55.2-SC-15-3](#) [GN 55.2-SC-5-3](#) [103FW41-R1](#) [KJR-D100AN-DNA-VE](#) [KJR-D100AN-DNIA-V2](#) [SR-10018](#) [ECC464558EU](#) [SC9641TS](#) [CS200BK](#) [QMC6308](#) [VSM025A/8mA](#) [M10-JB5020D](#) [M12-JB8002C](#) [M12-JB8002D](#) [M12-JK5002B](#) [M8-MJK](#) [M12-MJK](#) [MM18-70APS-ZCK](#) [103FW5-4](#) [ATS128LSETN-T](#) [TLE4906LHALA1](#) [TLE49452LHALA1](#) [MMA8452Q](#) [BU52013HFV-TR](#) [MRMS591A](#) [103SR14A-1](#) [MZT7-03VPS-KR0](#) [MZT7-03VPS-KW0](#) [MZT8-03VPS-KW0](#) [MZT8-28VPS-KP0](#) [MM12-60APO-ZUK](#) [A1326LLHLX-T](#) [A1326LLHLT-T](#)