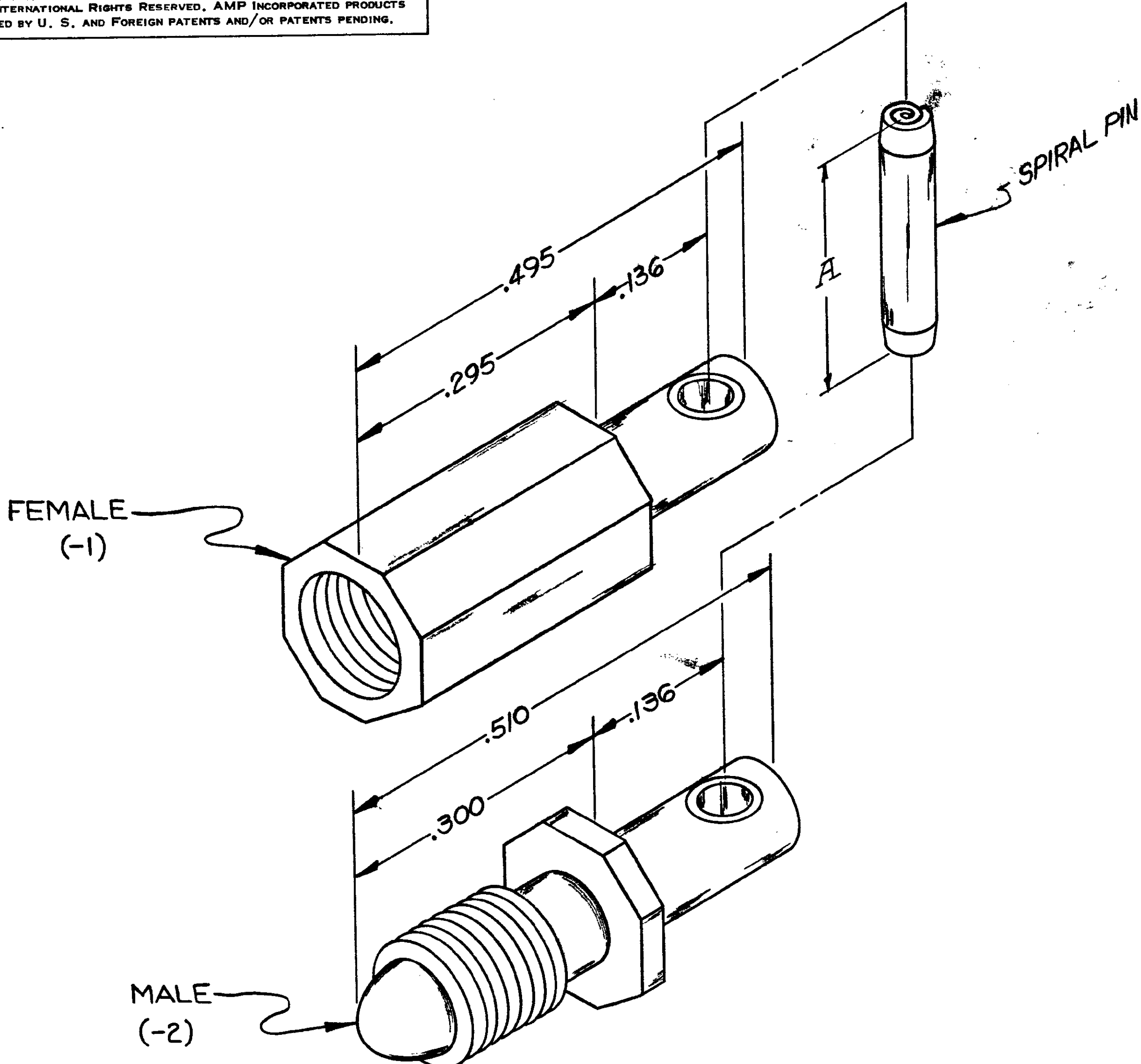


© COPYRIGHT 19 BY AMP INCORPORATED, HARRISBURG, PA.  
 ALL INTERNATIONAL RIGHTS RESERVED. AMP INCORPORATED PRODUCTS  
 COVERED BY U. S. AND FOREIGN PATENTS AND/OR PATENTS PENDING.

REVISIONS						
P	F	ZONE	LTR	DESCRIPTION	DATE	APPROVED
			0	REL.		
			01	ADD -3; AB-1664	db 6-26	EAM
			A	REV PER 0600-5354-96	JB 10-96	Am



1. FEMALE JACKSCREW-SOCKET .240 DEEP, 6-32 UNC-2B DOUBLE THREAD DOUBLE LEAD.
2. MALE JACKSCREW-TIP .270 LONG, 6-32 UNC-2A DOUBLE THREAD DOUBLE LEAD.
3. KIT CONSISTS OF ONE MALE OR ONE FEMALE JACKSCREW AND ONE SPIRAL PIN.

.187±.015	FEMALE JACKSCREW KIT	531985-3
.250	MALE JACKSCREW KIT	531985-2
.250	FEMALE JACKSCREW KIT	531985-1
A	DESCRIPTION	PART NO

UNLESS OTHERWISE SPECIFIED DIMENSIONS ARE IN INCHES. TOLERANCES ON: DECIMALS ± .010 ANGLES ±	CONTRACT NO	AMP   AMP INCORPORATED Harrisburg, Pa.	
	DR IRSHAFFNER 12-19-80	NAME JACKSCREW, FIXED ASSEMBLY, FOR RIGHT ANGLE BOX CONNECTOR	
MATERIAL STAINLESS STEEL	CHK <i>Ray W. Dinkin</i> 12/3/80	APPD <i>Ray W. Dinkin</i> 12/3/80	
FINISH PASSIVATED	APPD <i>E. Parsons</i> 12-30-80	DSGN APPD	OTHER APPD
SIZE CODE IDENT NO DRAWING NO		C 00779 531985	
SCALE 1Δ:1		SHEET 1 OF 1	

CUSTOMER DRAWING

531985

## X-ON Electronics

Largest Supplier of Electrical and Electronic Components

*Click to view similar products for [Headers & Wire Housings](#) category:*

*Click to view products by [TE Connectivity](#) manufacturer:*

Other Similar products are found below :

[95000-104TRLF](#) [10135584-644402LF](#) [DF62W-EP2022PCA](#) [95000-106TRLF](#) [DF62W-2022SCA](#) [DF62W-EP2022PC](#) [2203348](#) [DF62W-2022SC](#) [1084018](#) [1029039](#) [1084017](#) [802-10-012-10-002000](#) [1112640](#) [1112639](#) [891-007-9SS-BST1T](#) [000-34000](#) [0008550134](#) [0009482033](#) [0009507031](#) [57102-F02-18ULF](#) [57102-S06-03LF](#) [57202-S52-04LF](#) [PCN6-15S-2.5E](#) [0039019024](#) [58102-G61-06LF](#) [582553-1](#) [0009485154](#) [0009508121](#) [0022285053](#) [0050291907](#) [018731A](#) [LY20-4P-DT1-P1E-BR](#) [02.125.8002.8](#) [60101931](#) [60598-1 \(Cut Strip\)](#) [M1625-3R/100](#) [61062-3](#) [61082-181009](#) [CSU011177004](#) [636-1427](#) [638009-1](#) [641938-9](#) [641991-4](#) [644168-1](#) [644827-2](#) [647662-1](#) [65039-019ELF](#) [65692-001LF](#) [65781-018](#) [65781-047](#)