

MICRO SWITCH

FREEPORT, ILLINOIS, U.S.A.
A DIVISION OF HONEYWELL
FED. MFG. CODE 91929

SWITCH-TOGGLE

CATALOG LISTING
102TL2 SERIES

CHART 1

MS NUMBER

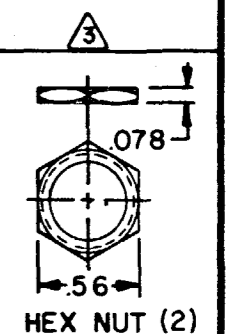
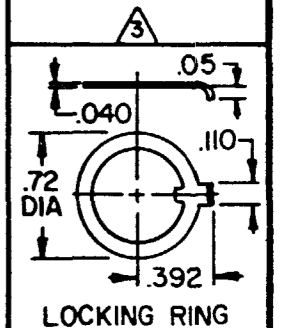
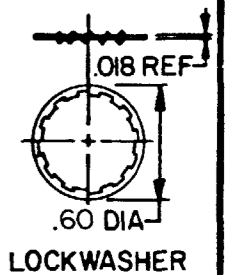
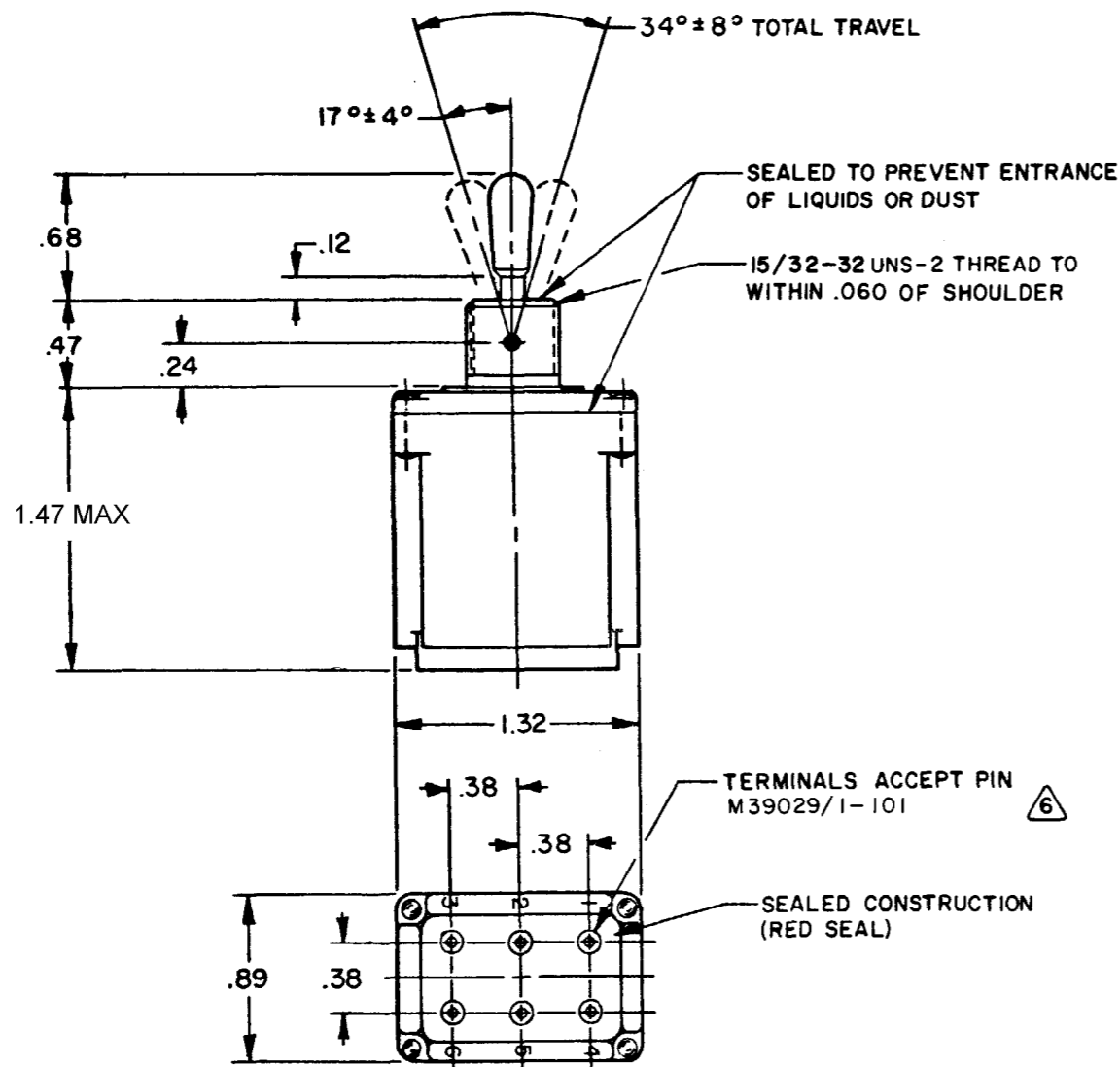
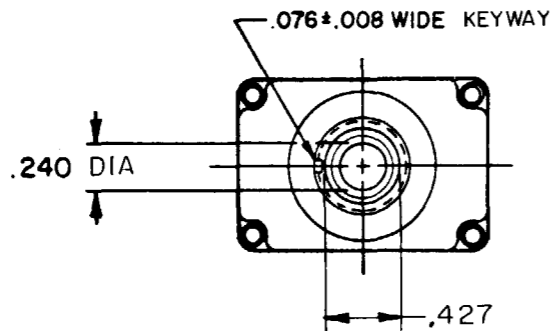
CATALOG LISTING

CIRCUIT MADE WITH TOGGLE LEVER IN
KEYWAY SIDE (1-2,4-5) CENTER (1-2,4-5) OPPOSITE KEYWAY (2-3,5-6)

MILITARY RATING (AMPS)

RESISTIVE LOAD DC VOLTS			AC VOLTS			LAMP LOAD		INDUCTIVE LOAD	
28	125	250	125	250	28 VDC	25 VAC	28 VDC	125 VAC	
7.5	.75	.5	7.5	6	7	4	7.5	7.5	
7.5	.75	.5	7.5	6	5	2	7.5	7.5	

THIS DRAWING COVERS A PROPRIETARY ITEM AND IS THE PROPERTY OF MICRO SWITCH, A DIVISION OF HONEYWELL. THIS DRAWING IS NOT TO BE COPIED OR USED WITHOUT THE APPROVAL OF MICRO SWITCH.



NOTES

- 1 - SWITCHES ARE CAPABLE OF WITHSTANDING A TEMPERATURE OF 160°F CONTINUOUSLY AT FULL RATED LOAD
- 2 - CIRCUIT DESIGNATION, MICRO SWITCH CATALOG LISTING, DATE CODE AND MS NUMBER IDENTIFIED ON SIDE OF SWITCH
- 3 - FURNISHED UNASSEMBLED
- 4 - UNUSED TERMINAL HOLES MAY BE SEALED WITH PLUGS M83723/28-20
- 5 - APPLIES ONLY TO "ON" AND "MOMENTARY ON" POSITIONS
- 6 - THE SEALING GROMMET SHALL SEAL ON A SMOOTH WIRE INSULATION OF .040 TO .083 DIAMETERS (16-20 GAGE)
- 7 - THESE SWITCHES ARE QUALIFIED UNDER MIL - DTL - 3950

CATALOG LISTING
M 102TL2 SERIES CHART 1
PAGE 1 OF 1

ISSUE
29

REVISIONS
L 0057247
SSK
06OCT09

REPLACES
RELEASE NO. PR-5108
CHECK
06OCT09
CMH
CHECK
21 APR 78
CEB
CHECK
13 FEB 78
DRAWN

RASTER

SCALE FULL
DO NOT SCALE PRINT
UNLESS OTHERWISE NOTED
DIMENSIONS ARE IN INCHES
TOLERANCES ARE:
ONE PLACE (.0) ±.030
TWO PLACE (.00) ±.015
THREE PLACE (.000) ±.005
ANGLES ±.005
WEIGHT .135 LB MAX

X-ON Electronics

Largest Supplier of Electrical and Electronic Components

Click to view similar products for [Toggle Switches](#) category:

Click to view products by [Honeywell](#) manufacturer:

Other Similar products are found below :

[A19HV](#) [8A1-C-222](#) [60012L](#) [6006L](#) [6663](#) [7101MD9V30GE](#) [7101SPDV30BE](#) [7103SDV30BE](#) [7105D](#) [7108P3YAV2BE](#) [71YY50282](#)
[7201MD9AVBE](#) [7301K38](#) [7306K36](#) [7310K36](#) [7314K36](#) [7506K4](#) [7592K6](#) [7691K14](#) [7700K1](#) [8396K108](#) [8824K14](#) [8828K13](#) [G3VX](#) [PS83-](#)
[121G](#) [A101MD9AB04](#) [A101SD9AB04](#) [A101SDCQ04](#) [A103SD9AQ04](#) [A107TZB04](#) [A123P32YZQ](#) [A123S1YZG](#) [A127S1YCQ](#) [1-1825192-](#)
[0](#) [A131S1YZQ](#) [A201SCWZB04](#) [A207SYCB04](#) [A208J61ZQ0004](#) [A221K12KAG](#) [A221S1YZQ](#) [A221T1TCQ](#) [A232K12KZQ](#) [A232M1YCQ](#)
[A323S1CWZQ](#) [A423S1YZQ](#) [12149A-3V](#) [12156AX408](#) [12147AGKX679](#) [12149AD2G0383VX408](#) [12246X778](#)