



Aluminum electrolytic capacitors

Snap-in capacitors

Series/Type: B43545
Date: December 2013

Long-life grade capacitors

Applications

- Frequency converters
- Solar inverters
- Uninterruptible power supplies
- Professional power supplies
- Medical appliances
- Telecommunications

Features

- Outstanding ripple current capability
- Base cooling available upon request for case sizes 30 × 35 mm to 35 × 55 mm
- Long useful life
- Very high CV product, compact
- High reliability
- Extremely improved performance at high frequencies
- Outstanding low ESR at operating conditions above 50 °C
- Optimized internal thermal resistance
- Different case sizes available for each capacitance value
- Capacitors with all insulation versions pass the needle flame test according to IEC 60695-11-5 for all flame exposure times up to 120 s
- RoHS-compatible

Construction

- Charge/discharge-proof, polar
- Aluminum case, fully insulated with PVC
- Version with PET insulation available
- Version with additional PET insulation cap on terminal side available for insulating the capacitor from the PCB
- Snap-in solder pins to hold component in place on PC-board
- Minus pole marking on case surface
- Minus pole not insulated from case
- Overload protection by safety vent on the case wall

Terminals

- Standard version with 2 terminals, 2 lengths available: 6.3 and 4.5 mm
- 3 terminals to ensure correct insertion: length 4.5 mm




Specifications and characteristics in brief

| | | | | | | | | | | | | |
|---|---|---|-------|-------|-------|--|---|---|--|---|----|--|
| Rated voltage V_R | 400 ... 450 V DC | | | | | | | | | | | |
| Surge voltage V_S | $1.10 \cdot V_R$ | | | | | | | | | | | |
| Rated capacitance C_R | 82 ... 820 μ F | | | | | | | | | | | |
| Capacitance tolerance | $\pm 20\% \triangle M$ | | | | | | | | | | | |
| Dissipation factor $\tan \delta$ (20 °C, 120 Hz) | $V_R = 400$ V DC: $\tan \delta \leq 0.15$ $V_R = 450$ V DC: $\tan \delta \leq 0.20$ | | | | | | | | | | | |
| Leakage current I_{leak} (5 min, 20 °C) | $I_{leak} \leq 0.3 \mu A \cdot \left(\frac{C_R}{\mu F} \cdot \frac{V_R}{V} \right)^{0.7} + 4 \mu A$ | | | | | | | | | | | |
| Self-inductance ESL | Approx. 20 nH | | | | | | | | | | | |
| Useful life ¹⁾ | | Requirements: | | | | | | | | | | |
| 105 °C; V_R ; $I_{AC,R}$ | > 5000 h | $\Delta C/C \leq \pm 20\%$ of initial value | | | | | | | | | | |
| 85 °C; V_R ; $I_{AC,R}$ | > 20000 h | $\tan \delta \leq 2$ times initial specified limit | | | | | | | | | | |
| 50 °C; V_R ; $1.4 \cdot I_{AC,R}$ | > 175000 h | $I_{leak} \leq$ initial specified limit | | | | | | | | | | |
| Voltage endurance test 105 °C; V_R | 2000 h | Post test requirements: | | | | | | | | | | |
| | | $\Delta C/C \leq \pm 10\%$ of initial value | | | | | | | | | | |
| | | $\tan \delta \leq 1.3$ times initial specified limit | | | | | | | | | | |
| | | $I_{leak} \leq$ initial specified limit | | | | | | | | | | |
| Vibration resistance test | To IEC 60068-2-6, test Fc: Frequency range 10 Hz ... 55 Hz, displacement amplitude 0.35 mm, acceleration max. 5 g, duration 3×2 h. Capacitor mounted by its body which is rigidly clamped to the work surface. | | | | | | | | | | | |
| Characteristics at low temperature | Max. impedance ratio at 100 Hz | <table border="1"> <tr> <td>V_R</td> <td>400 V</td> <td>450 V</td> </tr> <tr> <td>$Z_{-25\text{ °C}} / Z_{20\text{ °C}}$</td> <td>3</td> <td>7</td> </tr> <tr> <td>$Z_{-40\text{ °C}} / Z_{20\text{ °C}}$</td> <td>7</td> <td>12</td> </tr> </table> | V_R | 400 V | 450 V | $Z_{-25\text{ °C}} / Z_{20\text{ °C}}$ | 3 | 7 | $Z_{-40\text{ °C}} / Z_{20\text{ °C}}$ | 7 | 12 | |
| V_R | 400 V | 450 V | | | | | | | | | | |
| $Z_{-25\text{ °C}} / Z_{20\text{ °C}}$ | 3 | 7 | | | | | | | | | | |
| $Z_{-40\text{ °C}} / Z_{20\text{ °C}}$ | 7 | 12 | | | | | | | | | | |
| IEC climatic category | To IEC 60068-1: $V_R = 400$ V DC: 40/105/56 (–40 °C/+105 °C/56 days damp heat test) $V_R = 450$ V DC: 25/105/56 (–25 °C/+105 °C/56 days damp heat test) The capacitors can be operated in the temperature range of –40 °C to +105 °C but the impedance at –40 °C should be taken into consideration. | | | | | | | | | | | |
| Detail specification | Similar to CECC 30301-809 | | | | | | | | | | | |
| Sectional specification | IEC 60384-4 | | | | | | | | | | | |

1) Refer to chapter "General technical information, 5 Useful life" on how to interpret useful life.

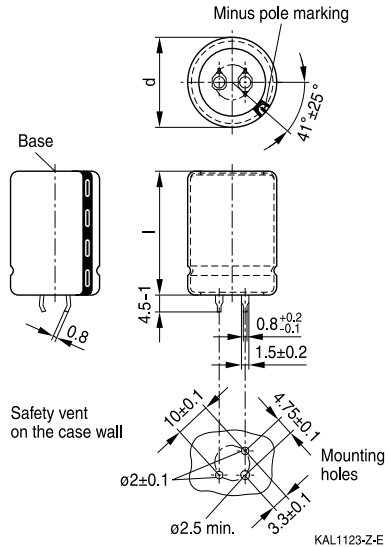
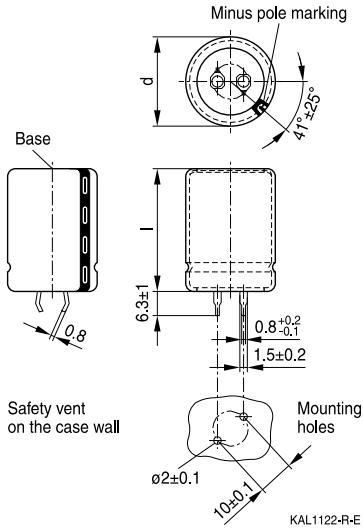


B43545

Outstanding ripple current, compact – 105 °C

Dimensional drawings

Snap-in capacitors with standard insulation (PVC or PET)

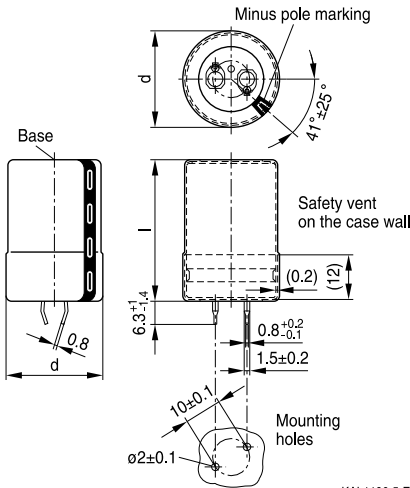


Snap-in terminals, length (6.3 ± 1) mm.
Also available in a shorter version with a length of (4.5 – 1) mm. PET insulation is marked with label "PET" on the sleeve.

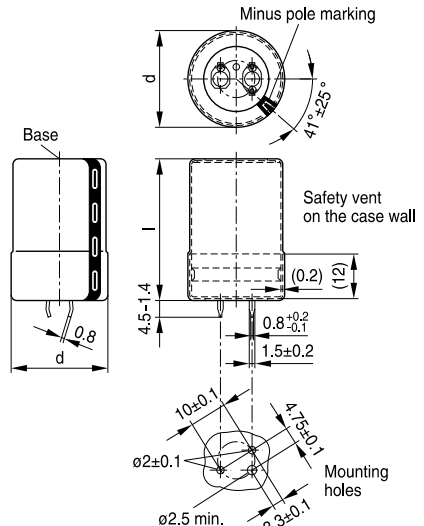
Snap-in capacitors are also available with 3 terminals (length (4.5 – 1) mm). PET insulation is marked with label "PET" on the sleeve.

| Dimensions (mm) | | Approx. weight (g) | Packing units (pcs.) |
|-----------------|------|--------------------|----------------------|
| d +1 | l ±2 | | |
| 25 | 25 | 13 | 130 |
| 25 | 30 | 17 | 130 |
| 25 | 35 | 19 | 130 |
| 25 | 40 | 22 | 130 |
| 25 | 45 | 25 | 130 |
| 25 | 50 | 29 | 130 |
| 25 | 55 | 32 | 130 |

| Dimensions (mm) | | Approx. weight (g) | Packing units (pcs.) |
|-----------------|------|--------------------|----------------------|
| d +1 | l ±2 | | |
| 30 | 25 | 17 | 80 |
| 30 | 30 | 23 | 80 |
| 30 | 35 | 29 | 80 |
| 30 | 40 | 36 | 80 |
| 30 | 45 | 41 | 80 |
| 30 | 50 | 46 | 80 |
| 30 | 55 | 53 | 80 |
| 35 | 25 | 22 | 60 |
| 35 | 30 | 29 | 60 |
| 35 | 35 | 36 | 60 |
| 35 | 40 | 41 | 60 |
| 35 | 45 | 56 | 60 |
| 35 | 50 | 70 | 60 |
| 35 | 55 | 81 | 60 |


Snap-in capacitors with PVC insulation and PET insulation cap on terminal side


KAL1196-5-E



KAL1197-D-E

Snap-in terminals, length $(6.3 + 1/-1.4)$ mm. Also available in a shorter version with a length of $(4.5 - 1.4)$ mm. PET insulation cap is positioned under the insulation sleeve.

Snap-in capacitors are also available with 3 terminals (length $(4.5 - 1.4)$ mm). PET insulation cap is positioned under the insulation sleeve.

| Dimensions (mm) | | Approx. weight (g) | Packing units (pcs.) |
|-----------------|-----------|--------------------|----------------------|
| d +1.4 | l +2.2/-2 | | |
| 25 | 25 | 13 | 115 |
| 25 | 30 | 17 | 115 |
| 25 | 35 | 19 | 115 |
| 25 | 40 | 22 | 115 |
| 25 | 45 | 25 | 115 |
| 25 | 50 | 29 | 115 |
| 25 | 55 | 32 | 115 |

| Dimensions (mm) | | Approx. weight (g) | Packing units (pcs.) |
|-----------------|-----------|--------------------|----------------------|
| d +1.4 | l +2.2/-2 | | |
| 30 | 25 | 17 | 80 |
| 30 | 30 | 23 | 80 |
| 30 | 35 | 29 | 80 |
| 30 | 40 | 36 | 80 |
| 30 | 45 | 41 | 80 |
| 30 | 50 | 46 | 80 |
| 30 | 55 | 53 | 80 |
| 35 | 25 | 22 | 60 |
| 35 | 30 | 29 | 60 |
| 35 | 35 | 36 | 60 |
| 35 | 40 | 41 | 60 |
| 35 | 45 | 56 | 60 |
| 35 | 50 | 70 | 60 |
| 35 | 55 | 81 | 60 |


B43545
Outstanding ripple current, compact – 105 °C
Packing of snap-in capacitors


For ecological reasons the packing is pure cardboard. Components can be withdrawn (in full or in part) in the correct position for insertion.

Ordering codes for terminal styles and insulation features

Identification in 3rd block of ordering code

Snap-in capacitors

| Terminal version | Insulation version | | |
|---------------------------|--------------------|------|------------------|
| | PVC | PET | PVC plus PET cap |
| Standard terminals 6.3 mm | M000 | M060 | M080 |
| Short terminals 4.5 mm | M007 | M067 | M087 |
| 3 terminals 4.5 mm | M002 | M062 | M082 |

Ordering examples:

- B43545A5107M007 } snap-in capacitor with short terminals and standard PVC insulation
- B43545A5107M062 } snap-in capacitor with 3 terminals and PET insulation
- B43545A5107M080 } snap-in capacitor with standard terminals and PVC insulation with additional PET insulation cap on terminal side


Overview of available types

| V_R (V DC) | 400 | 450 |
|-------------------------|-----------------------------------|-------------------------------|
| | Case dimensions $d \times l$ (mm) | |
| C_R (μF) | | |
| 82 | | 25 × 25 |
| 100 | | 25 × 30 |
| 120 | 25 × 25 | 25 × 35 30 × 25 |
| 150 | 25 × 30 | 25 × 40 30 × 30 |
| 180 | 25 × 35 30 × 25 | 25 × 45 30 × 35 35 × 25 |
| 220 | 25 × 35 30 × 30 | 25 × 50 30 × 35 35 × 30 |
| 270 | 25 × 45 30 × 35 35 × 25 | 30 × 45 35 × 35 |
| 330 | 25 × 50 30 × 35 35 × 30 | 30 × 50 35 × 40 |
| 390 | 25 × 55 30 × 40 35 × 35 | 30 × 55 35 × 45 |
| 470 | 30 × 50 35 × 40 | 35 × 50 |
| 560 | 30 × 55 35 × 40 | 35 × 55 |
| 680 | 35 × 50 | |
| 820 | 35 × 55 | |

The capacitance and voltage ratings listed above are available in different cases upon request. Other voltage and capacitance ratings are also available upon request.


B43545
Outstanding ripple current, compact – 105 °C
Technical data and ordering codes

| C_R 100 Hz 20 °C μF | Case dimensions d × l mm | ESR_{typ} 100 Hz 20 °C mΩ | ESR_{typ} 300 Hz 60 °C mΩ | Z_{max} 10 kHz 20 °C mΩ | $I_{AC,max}$ 100 Hz 60 °C A | $I_{AC,max}$ 100 Hz 85 °C A | $I_{AC,R}^{(1)}$ 100 Hz 105 °C A | Ordering code (composition see below) |
|------------------------------------|-----------------------------------|--------------------------------------|--------------------------------------|------------------------------------|--------------------------------------|--------------------------------------|---|---|
| $V_R = 400$ V DC | | | | | | | | |
| 120 | 25 × 25 | 500 | 160 | 700 | 2.23 | 1.64 | 0.88 | B43545A9127M0*# |
| 150 | 25 × 30 | 400 | 130 | 550 | 2.60 | 1.92 | 1.04 | B43545A9157M0*# |
| 180 | 25 × 35 | 330 | 110 | 460 | 2.96 | 2.19 | 1.18 | B43545A9187M0*# |
| 180 | 30 × 25 | 330 | 100 | 460 | 3.12 | 2.31 | 1.24 | B43545B9187M0*# |
| 220 | 25 × 35 | 270 | 90 | 380 | 3.36 | 2.48 | 1.33 | B43545A9227M0*# |
| 220 | 30 × 30 | 270 | 85 | 370 | 3.58 | 2.64 | 1.42 | B43545B9227M0*# |
| 270 | 25 × 45 | 220 | 70 | 310 | 3.96 | 2.93 | 1.58 | B43545A9277M0*# |
| 270 | 30 × 35 | 220 | 70 | 300 | 4.12 | 3.04 | 1.64 | B43545B9277M0*# |
| 270 | 35 × 25 | 220 | 75 | 310 | 4.15 | 3.06 | 1.65 | B43545C9277M0*# |
| 330 | 25 × 50 | 180 | 60 | 260 | 4.58 | 3.39 | 1.82 | B43545A9337M0*# |
| 330 | 30 × 35 | 180 | 55 | 250 | 4.69 | 3.46 | 1.86 | B43545B9337M0*# |
| 330 | 35 × 30 | 180 | 60 | 260 | 4.79 | 3.54 | 2.03 | B43545C9337M0*# |
| 390 | 25 × 55 | 160 | 50 | 220 | 5.19 | 3.84 | 2.07 | B43545A9397M0*# |
| 390 | 30 × 40 | 150 | 50 | 210 | 5.30 | 3.91 | 2.24 | B43545B9397M0*# |
| 390 | 35 × 35 | 150 | 50 | 220 | 5.38 | 3.98 | 2.28 | B43545C9397M0*# |
| 470 | 30 × 50 | 130 | 40 | 180 | 6.11 | 4.51 | 2.59 | B43545A9477M0*# |
| 470 | 35 × 40 | 130 | 40 | 180 | 6.11 | 4.52 | 2.59 | B43545B9477M0*# |
| 560 | 30 × 55 | 110 | 34 | 150 | 6.95 | 5.13 | 2.94 | B43545A9567M0*# |
| 560 | 35 × 40 | 110 | 36 | 160 | 6.80 | 5.02 | 2.87 | B43545B9567M0*# |
| 680 | 35 × 50 | 90 | 30 | 130 | 7.87 | 5.82 | 3.33 | B43545A9687M0*# |
| 820 | 35 × 55 | 75 | 26 | 110 | 8.99 | 6.64 | 3.80 | B43545A9827M0*# |
| $V_R = 450$ V DC | | | | | | | | |
| 82 | 25 × 25 | 1110 | 290 | 1680 | 1.80 | 1.32 | 0.71 | B43545A5826M0*# |
| 100 | 25 × 30 | 910 | 240 | 1370 | 2.06 | 1.52 | 0.82 | B43545A5107M0*# |
| 120 | 25 × 35 | 760 | 200 | 1140 | 2.34 | 1.73 | 0.94 | B43545B5127M0*# |
| 120 | 30 × 25 | 750 | 190 | 1140 | 2.47 | 1.81 | 0.98 | B43545A5127M0*# |
| 150 | 25 × 40 | 610 | 160 | 920 | 2.74 | 2.02 | 1.09 | B43545A5157M0*# |
| 150 | 30 × 30 | 600 | 150 | 910 | 2.86 | 2.10 | 1.14 | B43545B5157M0*# |
| 180 | 25 × 45 | 500 | 130 | 770 | 3.13 | 2.30 | 1.25 | B43545A5187M0*# |

Composition of ordering code

* = Insulation feature

0 = PVC insulation

6 = PET insulation

 8 = PVC insulation with additional PET insulation
cap on terminal side

= Terminal style

0 = snap-in standard terminals (6.3 mm)

2 = snap-in 3 terminals (4.5 mm)

7 = snap-in short terminals (4.5 mm)

 1) 120-Hz conversion factor of ripple current: $I_{AC}(120\text{ Hz}) = 1.03 \cdot I_{AC}(100\text{ Hz})$


Technical data and ordering codes

| C_R | Case dimensions | ESR_{typ} 100 Hz 20 °C μF | ESR_{typ} 300 Hz 60 °C $m\Omega$ | Z_{max} 10 kHz 20 °C $m\Omega$ | $I_{AC,max}$ 100 Hz 60 °C A | $I_{AC,max}$ 100 Hz 85 °C A | $I_{AC,R^{(2)}}$ 100 Hz 105 °C A | Ordering code (composition see below) |
|------------------|-----------------|---|---|---|--------------------------------------|--------------------------------------|---|--|
| $V_R = 450 V DC$ | | | | | | | | |
| 180 | 30 × 35 | 500 | 130 | 760 | 3.24 | 2.38 | 1.29 | B43545B5187M0*# |
| 180 | 35 × 25 | 510 | 130 | 770 | 3.32 | 2.44 | 1.32 | B43545C5187M0*# |
| 220 | 25 × 50 | 410 | 110 | 630 | 3.63 | 2.67 | 1.45 | B43545A5227M0*# |
| 220 | 30 × 35 | 410 | 110 | 630 | 3.70 | 2.72 | 1.47 | B43545B5227M0*# |
| 220 | 35 × 30 | 410 | 110 | 630 | 3.82 | 2.81 | 1.62 | B43545C5227M0*# |
| 270 | 30 × 45 | 330 | 85 | 510 | 4.31 | 3.17 | 1.83 | B43545A5277M0*# |
| 270 | 35 × 35 | 340 | 90 | 510 | 4.37 | 3.22 | 1.85 | B43545B5277M0*# |
| 330 | 30 × 50 | 270 | 70 | 420 | 4.98 | 3.66 | 2.11 | B43545A5337M0*# |
| 330 | 35 × 40 | 280 | 70 | 420 | 5.02 | 3.69 | 2.13 | B43545B5337M0*# |
| 390 | 30 × 55 | 230 | 60 | 350 | 5.64 | 4.15 | 2.39 | B43545A5397M0*# |
| 390 | 35 × 45 | 230 | 60 | 360 | 5.63 | 4.14 | 2.39 | B43545B5397M0*# |
| 470 | 35 × 50 | 190 | 50 | 300 | 6.41 | 4.72 | 2.72 | B43545A5477M0*# |
| 560 | 35 × 55 | 160 | 45 | 250 | 7.28 | 5.35 | 3.08 | B43545A5567M0*# |

Composition of ordering code

* = Insulation feature

0 = PVC insulation

6 = PET insulation

8 = PVC insulation with additional PET insulation cap on terminal side

= Terminal style

0 = snap-in standard terminals (6.3 mm)

2 = snap-in 3 terminals (4.5 mm)

7 = snap-in short terminals (4.5 mm)

 2) 120-Hz conversion factor of ripple current: $I_{AC}(120 Hz) = 1.03 \cdot I_{AC}(100 Hz)$



B43545

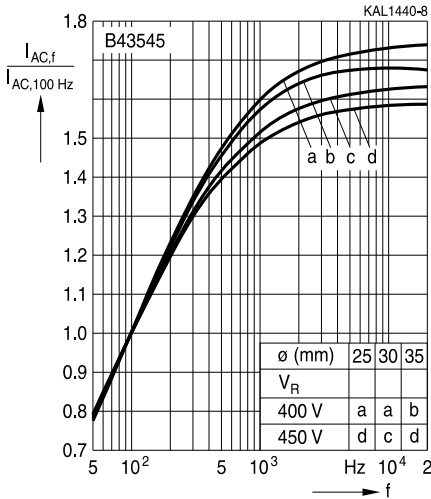
Outstanding ripple current, compact – 105 °C

Useful life¹⁾

The useful life graph is calculated for each individual capacitor and is available upon request.

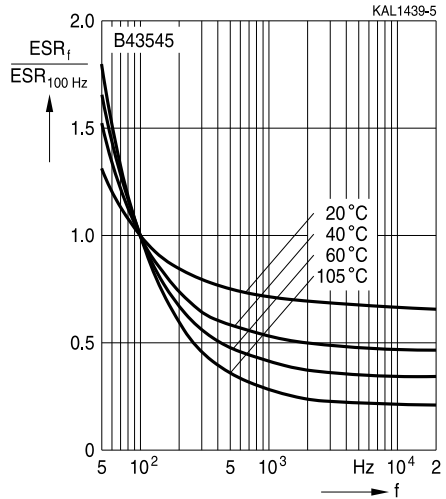
Frequency factor of permissible ripple current I_{AC} versus frequency f

Typical behavior



Frequency characteristics of ESR

Typical behavior

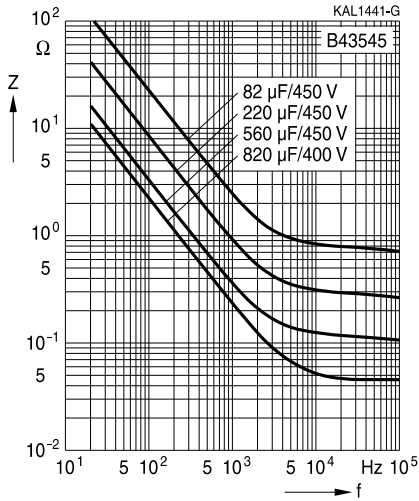


1) Refer to chapter "General technical information, 5 Useful life" on how to interpret useful life.



Impedance Z versus frequency f

Typical behavior at 20 °C





B43545

Outstanding ripple current, compact – 105 °C

Cautions and warnings

Personal safety

The electrolytes used by EPCOS have been optimized both with a view to the intended application and with regard to health and environmental compatibility. They do not contain any solvents that are detrimental to health, e.g. dimethyl formamide (DMF) or dimethyl acetamide (DMAC).

Furthermore, some of the high-voltage electrolytes used by EPCOS are self-extinguishing.

As far as possible, EPCOS does not use any dangerous chemicals or compounds to produce operating electrolytes. However, in exceptional cases, such materials must be used in order to achieve specific physical and electrical properties because no alternative materials are currently known. However, the amount of dangerous materials used in our products is limited to an absolute minimum.

Materials and chemicals used in EPCOS aluminum electrolytic capacitors are continuously adapted in compliance with the EPCOS Corporate Environmental Policy and the latest EU regulations and guidelines such as RoHS, REACH/SVHC, GADSL, and ELV.

MDS (Material Data Sheets) are available on the EPCOS website for all types listed in the data book. MDS for customer specific capacitors are available upon request.

MSDS (Material Safety Data Sheets) are available for all of our electrolytes upon request.

Nevertheless, the following rules should be observed when handling aluminum electrolytic capacitors: No electrolyte should come into contact with eyes or skin. If electrolyte does come into contact with the skin, wash the affected areas immediately with running water. If the eyes are affected, rinse them for 10 minutes with plenty of water. If symptoms persist, seek medical treatment. Avoid inhaling electrolyte vapor or mists. Workplaces and other affected areas should be well ventilated. Clothing that has been contaminated by electrolyte must be changed and rinsed in water.



Product safety

The table below summarizes the safety instructions that must be observed without fail. A detailed description can be found in the relevant sections of chapter "General technical information".

| Topic | Safety information | Reference chapter "General technical information" |
|--|---|--|
| Polarity | Make sure that polar capacitors are connected with the right polarity. | 1 "Basic construction of aluminum electrolytic capacitors" |
| Reverse voltage | Voltages polarity classes should be prevented by connecting a diode. | 3.1.6 "Reverse voltage" |
| Mounting position of screw-terminal capacitors | Do not mount the capacitor with the terminals (safety vent) upside down. | 11.1. "Mounting positions of capacitors with screw terminals" |
| Robustness of terminals | The following maximum tightening torques must not be exceeded when connecting screw terminals: M5: 2.5 Nm M6: 4.0 Nm | 11.3 "Mounting torques" |
| Mounting of single-ended capacitors | The internal structure of single-ended capacitors might be damaged if excessive force is applied to the lead wires. Avoid any compressive, tensile or flexural stress. Do not move the capacitor after soldering to PC board. Do not pick up the PC board by the soldered capacitor. Do not insert the capacitor on the PC board with a hole space different to the lead space specified. | 11.4 "Mounting considerations for single-ended capacitors" |
| Soldering | Do not exceed the specified time or temperature limits during soldering. | 11.5 "Soldering" |
| Soldering, cleaning agents | Do not allow halogenated hydrocarbons to come into contact with aluminum electrolytic capacitors. | 11.6 "Cleaning agents" |
| Upper category temperature | Do not exceed the upper category temperature. | 7.2 "Maximum permissible operating temperature" |
| Passive flammability | Avoid external energy, such as fire or electricity. | 8.1 "Passive flammability" |



B43545

Outstanding ripple current, compact – 105 °C

| Topic | Safety information | Reference chapter "General technical information" |
|--|---|---|
| Active flammability | Avoid overload of the capacitors. | 8.2 "Active flammability" |
| Maintenance | <p>Make periodic inspections of the capacitors. Before the inspection, make sure that the power supply is turned off and carefully discharge the electricity of the capacitors.</p> <p>Do not apply any mechanical stress to the capacitor terminals.</p> | 10 "Maintenance" |
| Storage | Do not store capacitors at high temperatures or high humidity. Capacitors should be stored at +5 to +35 °C and a relative humidity of $\leq 75\%$. | 7.3 Storage conditions |
| | | Reference chapter "Capacitors with screw terminals" |
| Breakdown strength of insulating sleeves | Do not damage the insulating sleeve, especially when ring clips are used for mounting. | "Screw terminals – accessories" |


Symbols and terms

| Symbol | English | German |
|----------------|---|---|
| C | Capacitance | Kapazität |
| C_R | Rated capacitance | Nennkapazität |
| C_S | Series capacitance | Serienkapazität |
| $C_{S,T}$ | Series capacitance at temperature T | Serienkapazität bei Temperatur T |
| C_f | Capacitance at frequency f | Kapazität bei Frequenz f |
| d | Case diameter, nominal dimension | Gehäusedurchmesser, Nennmaß |
| d_{max} | Maximum case diameter | Maximaler Gehäusedurchmesser |
| ESL | Self-inductance | Eigeninduktivität |
| ESR | Equivalent series resistance | Ersatzserienwiderstand |
| ESR_f | Equivalent series resistance at frequency f | Ersatzserienwiderstand bei Frequenz f |
| ESR_T | Equivalent series resistance at temperature T | Ersatzserienwiderstand bei Temperatur T |
| f | Frequency | Frequenz |
| I | Current | Strom |
| I_{AC} | Alternating current (ripple current) | Wechselstrom |
| $I_{AC,rms}$ | Root-mean-square value of alternating current | Wechselstrom, Effektivwert |
| $I_{AC,f}$ | Ripple current at frequency f | Wechselstrom bei Frequenz f |
| $I_{AC,max}$ | Maximum permissible ripple current | Maximal zulässiger Wechselstrom |
| $I_{AC,R}$ | Rated ripple current | Nennwechselstrom |
| $I_{AC,R} (B)$ | Rated ripple current for base cooling | Nennwechselstromstrom für Bodenkühlung |
| I_{leak} | Leakage current | Reststrom |
| $I_{leak,op}$ | Operating leakage current | Betriebsreststrom |
| l | Case length, nominal dimension | Gehäuselänge, Nennmaß |
| l_{max} | Maximum case length (without terminals and mounting stud) | Maximale Gehäuselänge (ohne Anschlüsse und Gewindebolzen) |
| R | Resistance | Widerstand |
| R_{ins} | Insulation resistance | Isolationswiderstand |
| R_{symm} | Balancing resistance | Symmetrierwiderstand |
| T | Temperature | Temperatur |
| ΔT | Temperature difference | Temperaturdifferenz |
| T_A | Ambient temperature | Umgebungstemperatur |
| T_C | Case temperature | Gehäusetemperatur |
| T_B | Capacitor base temperature | Temperatur des Becherbodens |
| t | Time | Zeit |
| Δt | Period | Zeitraum |
| t_b | Service life (operating hours) | Brauchbarkeitsdauer (Betriebszeit) |


B43545
Outstanding ripple current, compact – 105 °C

| Symbol | English | German |
|-----------------|---|--------------------------------------|
| V | Voltage | Spannung |
| V _F | Forming voltage | Formierspannung |
| V _{op} | Operating voltage | Betriebsspannung |
| V _R | Rated voltage, DC voltage | Nennspannung, Gleichspannung |
| V _S | Surge voltage | Spitzenspannung |
| X _C | Capacitive reactance | Kapazitiver Blindwiderstand |
| X _L | Inductive reactance | Induktiver Blindwiderstand |
| Z | Impedance | Scheinwiderstand |
| Z _T | Impedance at temperature T | Scheinwiderstand bei Temperatur T |
| tan δ | Dissipation factor | Verlustfaktor |
| λ | Failure rate | Ausfallrate |
| ε ₀ | Absolute permittivity | Elektrische Feldkonstante |
| ε _r | Relative permittivity | Dielektrizitätszahl |
| ω | Angular velocity; $2 \cdot \pi \cdot f$ | Kreisfrequenz; $2 \cdot \pi \cdot f$ |

Note

All dimensions are given in mm.

Important notes

The following applies to all products named in this publication:

1. Some parts of this publication contain **statements about the suitability of our products for certain areas of application**. These statements are based on our knowledge of typical requirements that are often placed on our products in the areas of application concerned. We nevertheless expressly point out **that such statements cannot be regarded as binding statements about the suitability of our products for a particular customer application**. As a rule, EPCOS is either unfamiliar with individual customer applications or less familiar with them than the customers themselves. For these reasons, it is always ultimately incumbent on the customer to check and decide whether an EPCOS product with the properties described in the product specification is suitable for use in a particular customer application.
2. We also point out that **in individual cases, a malfunction of electronic components or failure before the end of their usual service life cannot be completely ruled out in the current state of the art, even if they are operated as specified**. In customer applications requiring a very high level of operational safety and especially in customer applications in which the malfunction or failure of an electronic component could endanger human life or health (e.g. in accident prevention or lifesaving systems), it must therefore be ensured by means of suitable design of the customer application or other action taken by the customer (e.g. installation of protective circuitry or redundancy) that no injury or damage is sustained by third parties in the event of malfunction or failure of an electronic component.
3. **The warnings, cautions and product-specific notes must be observed.**
4. In order to satisfy certain technical requirements, **some of the products described in this publication may contain substances subject to restrictions in certain jurisdictions (e.g. because they are classed as hazardous)**. Useful information on this will be found in our Material Data Sheets on the Internet (www.epcos.com/material). Should you have any more detailed questions, please contact our sales offices.
5. We constantly strive to improve our products. Consequently, **the products described in this publication may change from time to time**. The same is true of the corresponding product specifications. Please check therefore to what extent product descriptions and specifications contained in this publication are still applicable before or when you place an order. We also **reserve the right to discontinue production and delivery of products**. Consequently, we cannot guarantee that all products named in this publication will always be available. The aforementioned does not apply in the case of individual agreements deviating from the foregoing for customer-specific products.
6. Unless otherwise agreed in individual contracts, **all orders are subject to the current version of the "General Terms of Delivery for Products and Services in the Electrical Industry" published by the German Electrical and Electronics Industry Association (ZVEI)**.
7. The trade names EPCOS, BAOKE, Alu-X, CeraDiode, CeraLink, CeraPlas, CSMP, CSSP, CTVS, DeltaCap, DigiSiMic, DSSP, FilterCap, FormFit, MiniBlue, MiniCell, MKD, MKK, MLSC, MotorCap, PCC, PhaseCap, PhaseCube, PhaseMod, PhiCap, SIFERRIT, SIFI, SIKOREL, SilverCap, SIMDAD, SiMic, SIMID, SineFormer, SIOV, SIP5D, SIP5K, ThermoFuse, WindCap are **trademarks registered or pending** in Europe and in other countries. Further information will be found on the Internet at www.epcos.com/trademarks.

X-ON Electronics

Largest Supplier of Electrical and Electronic Components

Click to view similar products for [Aluminum Electrolytic Capacitors - Leaded](#) category:

Click to view products by [EPCOS](#) manufacturer:

Other Similar products are found below :

[LXY50VB4.7M-5X11](#) [MAL203125221E3](#) [MAL204216159E3](#) [ESMG101ETD100MF11S](#) [RBC-25V-10UF-4X7](#) [RE3-35V222MJ6#](#) [RFO-100V471MJ7P#](#) [B41041A2687M8](#) [B41041A7226M8](#) [B41044A7157M6](#) [EKRG250ELL100MD07D](#) [EKXG201EC3101ML20S](#)
[EKXG351ETD6R8MJ16S](#) [EKZM160ETD471MHB5D](#) [EPA-201ELL151MM25S](#) [NCD681K10KVY5PF](#) [NRLF103M25V35X20F](#)
[KM4700/16](#) [KME50VB100M-8X11.5](#) [RXJ222M1EBK-1625](#) [SG220M1CSA-0407](#) [ES5107M016AE1DA](#) [ESX472M16B](#) [MAL211929479E3](#)
[40D506F050DF5A](#) [TE1202E](#) [36DA273F050BB2A](#) [KME25VB100M-6.3X11](#) [511D336M250EK5D](#) [511D337M035CG4D](#)
[515D477M035CG8PE3](#) [052687X](#) [EKMA500ELL4R7ME07D](#) [EKRG100ETC221MF09D](#) [NRE-S560M16V6.3X7TBSTF](#)
[ERZA630VHN182UP54N](#) [MAL214099813E3](#) [MAL211990518E3](#) [MAL204281229E3](#) [NEV680M35EF](#) [686KXM050M](#) [ERS1VM222L30OT](#)
[EGW2GM150W16OT](#) [EGS2GM6R8G12OC](#) [EHS2GM220W20OT](#) [ERF1VM222L30OT](#) [ERF1KM151G20OT](#) [EKZE500ELL101MHB5D](#)
[EKMM251VSN221MP25S](#) [RGA221M1HBK-1016G](#)