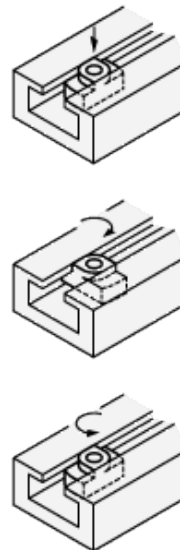
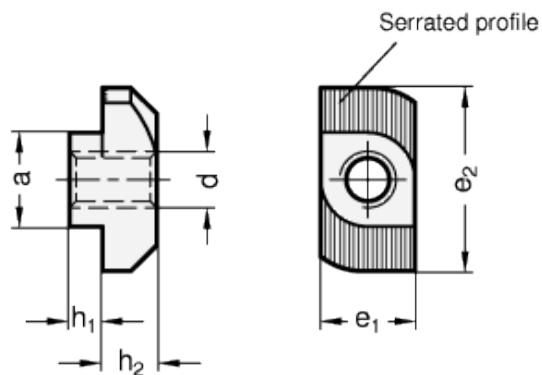


GN 505

Quick-insert dowels for T-slots



technical informations

Material

- Execution MB: zinc-plated steel, with increased torque.
- Execution OB: zinc-plated steel, without increased torque.

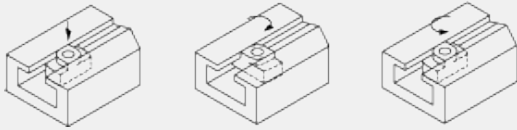
Features and applications

T-nuts for aluminium extrusions GN 505 can be inserted vertically into a T-slot like Rhombus nuts GN 508.1. When tightening the clamping bolt, the nut will be forced into a crosswise position by the applied torque and firmly anchored in the T-slot.

This action is achieved by using T-nut type MB which is intentionally fitted with an overtight fit requiring a higher torque. To remove the bolt and T-nut a 90° anticlockwise turn is sufficient to withdraw the two components with the clamped workpiece.

The clamping face of the T-nut is serrated to ensure that a possible plating coat in the T-slot is penetrated to establish a good electrical contact.

Application example



Standard Elements	Main dimensions						Weight
Description	$b_{-0.1/-0.5}$	d	$L_{\pm 0.5}$	$H_{-0.1/-0.5}$	$h_1_{-0.4}$	h_2	g
GN 505-8-M4-MB	8	M4	16	8	5	$1.6_{-0.4}$	7
GN 505-8-M5-MB	8	M5	16	8	5	$1.6_{-0.4}$	7
GN 505-8-M6-MB	8	M6	16	8	5	$1.6_{-0.4}$	6
GN 505-10-M4-MB	10	M4	19	10	5.8	3.5_{-1}	8
GN 505-10-M5-MB	10	M5	19	10	5.8	3.5_{-1}	7
GN 505-10-M6-MB	10	M6	19	10	5.8	3.5_{-1}	7
GN 505-10-M8-MB	10	M8	19	10	5.8	3.5_{-1}	6
GN 505-8-M4-OB	8	M4	16	8	5	$1.6_{-0.4}$	7
GN 505-8-M5-OB	8	M5	16	8	5	$1.6_{-0.4}$	7
GN 505-8-M6-OB	8	M6	16	8	5	$1.6_{-0.4}$	6
GN 505-10-M4-OB	10	M4	19	10	5.8	3.5_{-1}	8
GN 505-10-M5-OB	10	M5	19	10	5.8	3.5_{-1}	7
GN 505-10-M6-OB	10	M6	19	10	5.8	3.5_{-1}	7
GN 505-10-M8-OB	10	M8	19	10	5.8	3.5_{-1}	6



STANDARD MACHINE ELEMENTS WORLDWIDE

X-ON Electronics

Largest Supplier of Electrical and Electronic Components

Click to view similar products for [Electrical Enclosure Accessories](#) category:

Click to view products by [Elesa & Ganter](#) manufacturer:

Other Similar products are found below :

[60121-06-028 C-325 Black](#) [71884-04-028 CM3-100 Black](#) [71884-18-028 LH43-200 Black](#) [71884-24-028 LH75-200 Black](#) [71885-01-028 CM6-150 Black](#) [72459-02-028 DM-3 BLACK](#) [81501-01-000 XPL, 9VB Black](#) [82402-01 PT-8 ALUM](#) [1335GSKT3](#) [14101FP-PK](#) [CB-1263-BT](#) [1611512-4](#) [HB-11498](#) [RC-7775](#) [HM BLACK PANEL](#) [61033-01-000](#) [115123-01-508 CN-RL RS](#) [115124-01-508 CN-XRL XRS](#) [115119-01-000 CN-RL RS](#) [115123-01-000 CN-RL RS](#) [60121-04-028 C-275 Black](#) [60128-01-072](#) [60222-01-028 CM6-225 Black](#) [60272-01-028 CM3-150 Black](#) [60851-01-028 CM69-120 Black](#) [62291-502-000-KEU-10-BLK](#) [62452-01-000 HML-9VB, EB Black](#) [71884-25-028 LH89-130 Black](#) [AXX2POSTBRCKT](#) [FUPMESK](#) [71884-23-028 LH75-130 Black](#) [1317GSKTSC](#) [8G813V40389](#) [DVA.1-10-15-M4-10-70](#) [DVC.1-60-49-60-M10-28-55](#) [DVC.1-15-8,5-15-M4-10-40](#) [DVC.1-20-12-30-M6-18-40](#) [DVC.1-30-18-25-M8-20-40](#) [DVC.1-35-31-15-M8-20-40](#) [DVC.1-35-31-15-M8-20-70](#) [DVC.1-75-60-40-M12-37-70](#) [DVC.2-30-22-20-M8-20-55](#) [DVC.2-40-30-25-M8-23-55](#) [DVC.2-75-60-40-M12-37-55](#) [DVC.2-21-16-22-M6-18-40](#) [DVC.2-40-20-48-M8-23-40](#) [DVC.2-40-32-50-M8-23-40](#) [DVC.2-20-14-19-M6-18-70](#) [DVC.2-25-18-20-M6-18-70](#) [DVC.3-20-14-20-M6-40](#) [DVC.3-20-14-30-M6-40](#)