

622/632-Series Miniature Rocker Switches



A high powered offering packed into a compact sized envelope, the 622/632-Series is a staple of the Appliance, Food Service, Transportation, and General Purpose markets. The silver-alloy butt contacts will handle inrush spikes up to 125 amps and steady state current to 16A 125VAC. The lighted 632-Series features a multitude of illumination circuit options available with LED, incandescent and neon style lamps.

Dielectric Strength

UL/CSA: 1000V - live to dead metal parts & opposite polarity

Electrical Life

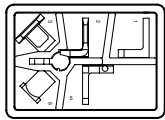
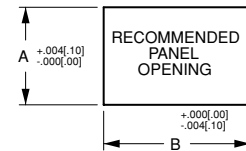
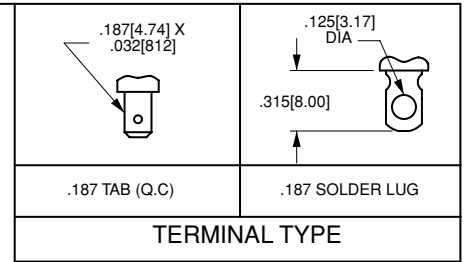
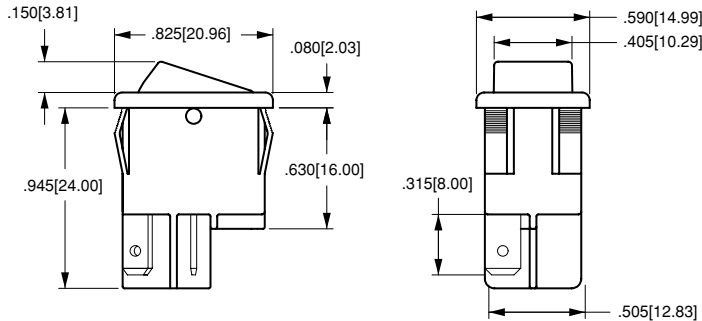
50,000 cycles

Mechanical Life

100,000 cycles

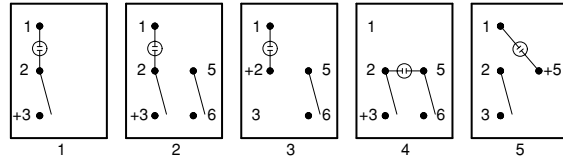
Operating Temperature

32°F to 185°F (0°C to 85°C)



632 SCHEMATIC

UNBALLASTED



PANEL THICKNESS	A	B
.030[.76]-.050[1.27]	.508[12.90]	.756[19.20]
.050[1.27]-.078[1.98]	.508[12.90]	.764[19.40]
.078[1.98]-.125[3.17]	.508[12.90]	.780[19.81]

632121 - 1 B - K N

1 Base Part Number 2 Actuator Color* 3 Base Color 4 Lamp* 5 Legend

1 BASE PART NUMBER: SERIES/CIRCUITRY/RATING²/TERMINATION
 8A 250VAC; 12A 125VAC; 1/2 HP 125-250VAC
 622-SERIES NON-ILLUMINATED ROCKER

ON-NONE-OFF (Single Pole)
 ON-NONE-OFF (Double Pole)

632-SERIES ILLUMINATED ROCKER

ON-NONE-OFF (Single Pole, dependent lamp) schematic 1
 ON-NONE-OFF (Single Pole, independent lamp) schematic 3
 ON-NONE-OFF (Single Pole, independent lamp unballasted) schematic 5
 ON-NONE-OFF (Double Pole, dependent lamp w/ 5 terms.) schematic 2
 ON-NONE-OFF (Double Pole, dependent lamp w/ 4 terms.) schematic 4

Solder Lugs	.187 Tabs
622121	622122
622221	622222
632121	632122
632321	632322
632521	632522
632221	632222
632421	632422

2 ACTUATOR COLOR*

622 (non illuminated)

B black
 W white

632 (illuminated)

1 clear amber
 2 clear red
 3 clear blue³
 4 clear green
 5 clear

3 BASE COLOR*

B black W white

4 LAMP VOLTAGE/STYLE*

N 622 (non illuminated)
 1 unballasted LED
 2 6V LED
 3 12V LED
 4 24V LED

A 6V incandescent
 C 12V incandescent
 E 18V incandescent
 H 24V incandescent
 J 125V neon
 K 250V neon

5 ROCKER LEGEND

NO LEGEND hot stamp
 OFF-ON vertical N
 OFF-ON horizontal A
 I-O horizontal B
 I-O vertical D
 O on rocker radius E
 F

NOTES

- For all incandescent or LED lamps specify 5 in 5th digit of part number. Example 632151-1B-CN
- 10A 250VAC, 16A 125 VAC rating available for select single pole circuits, consult factory for details.
- Available with incandescent lamps only.
- Additional colors available. Consult factory for details.

X-ON Electronics

Largest Supplier of Electrical and Electronic Components

Click to view similar products for [Rocker Switches](#) category:

Click to view products by [Carling](#) manufacturer:

Other Similar products are found below :

[VKD2GHNB-00000-000](#) [VSD2GNNB-00000-000](#) [6-1571986-5](#) [6-1571986-9](#) [632422-4B-KD](#) [7036WWCDBX653+U622](#) [8055K52Z7V](#)
[8138K20E6M50](#) [FMC18A2200002](#) [84206L](#) [84312LX](#) [PREDD4-07F-BB0FW](#) [PREDD5-07F-BB0GW](#) [PRFDD1-16F-BB000](#) [PRFDD3-16F-](#)
[BB000](#) [1-1634201-0](#) [999-16702-001](#) [A101J2ZQ004](#) [A101J4ZQ004](#) [A101J51CB0004](#) [A107J51ZQ0004](#) [A201J1AQ004](#) [A201J1AV2Q004](#)
[A201J3ZB004](#) [A201J50ZQ004](#) [A203J51ZQ0004](#) [A226L11YZQ](#) [A22L11A](#) [A435S1YZQ](#) [H8500XBBBBL-A](#) [H8653VBBG2577W](#)
[HB130CHNWWNAAC](#) [1251.0303](#) [AE205J60V3B004](#) [RH110C2NBB](#) [1352.0107](#) [1363.0201](#) [AML25GBF2AA03GR](#) [1571099-3](#) [1571987-4](#)
[1571987-5](#) [1571989-7](#) [B123J77V7B2](#) [B226J50W4Q22P](#) [B433J37ZQ22M](#) [160212E](#) [1801.1164](#) [1831.1102](#) [1833.3402](#) [1837.1118](#)