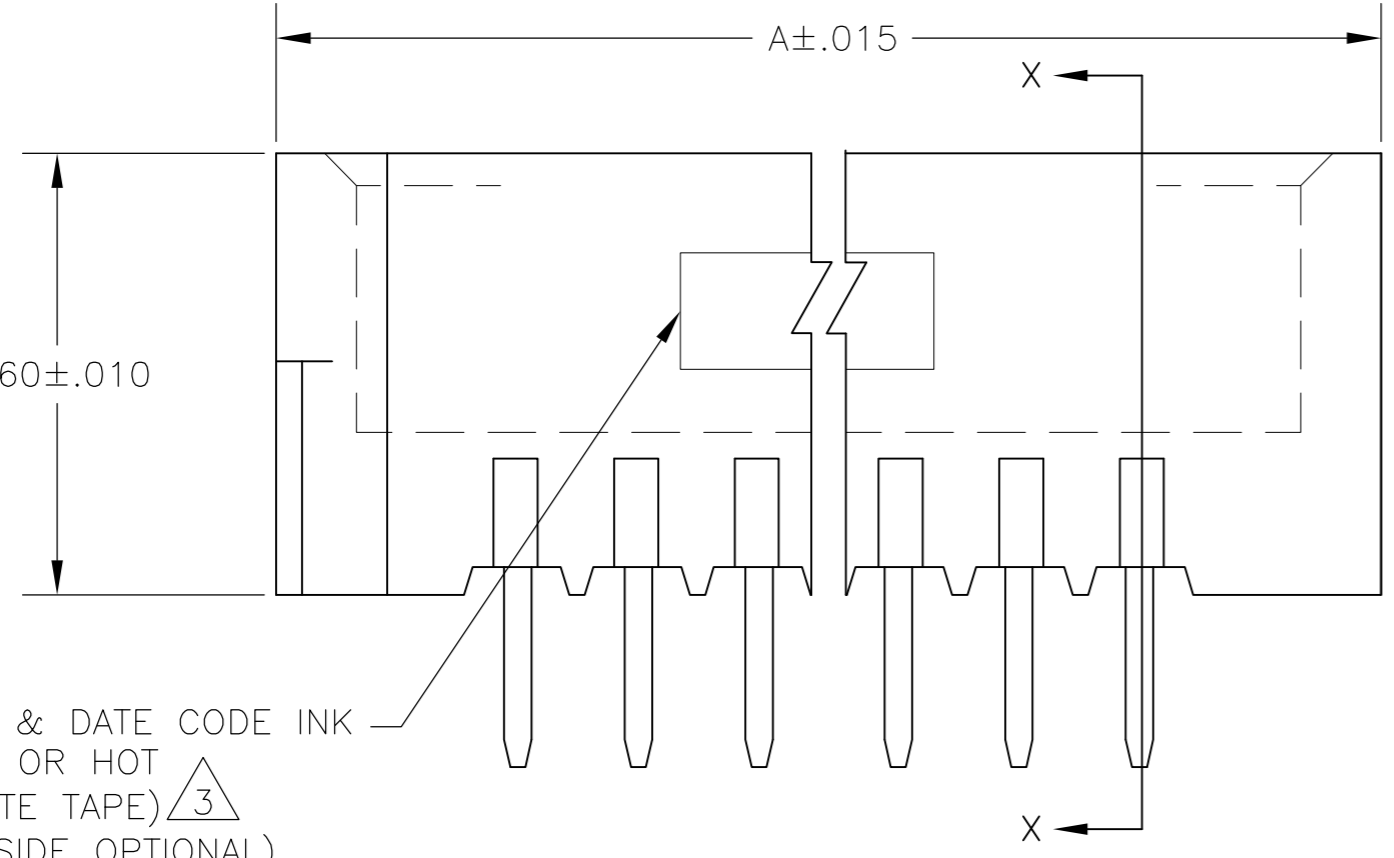
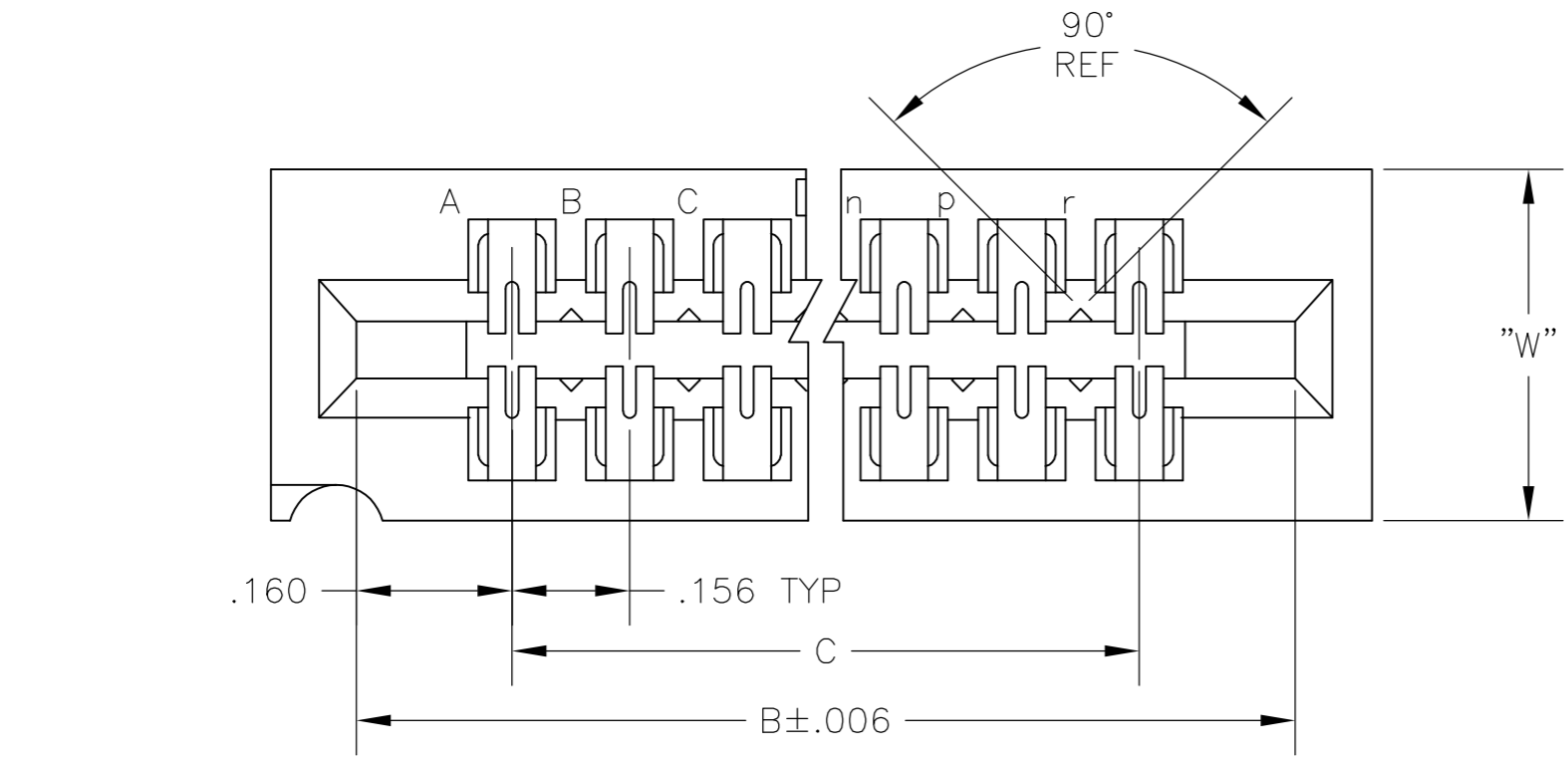
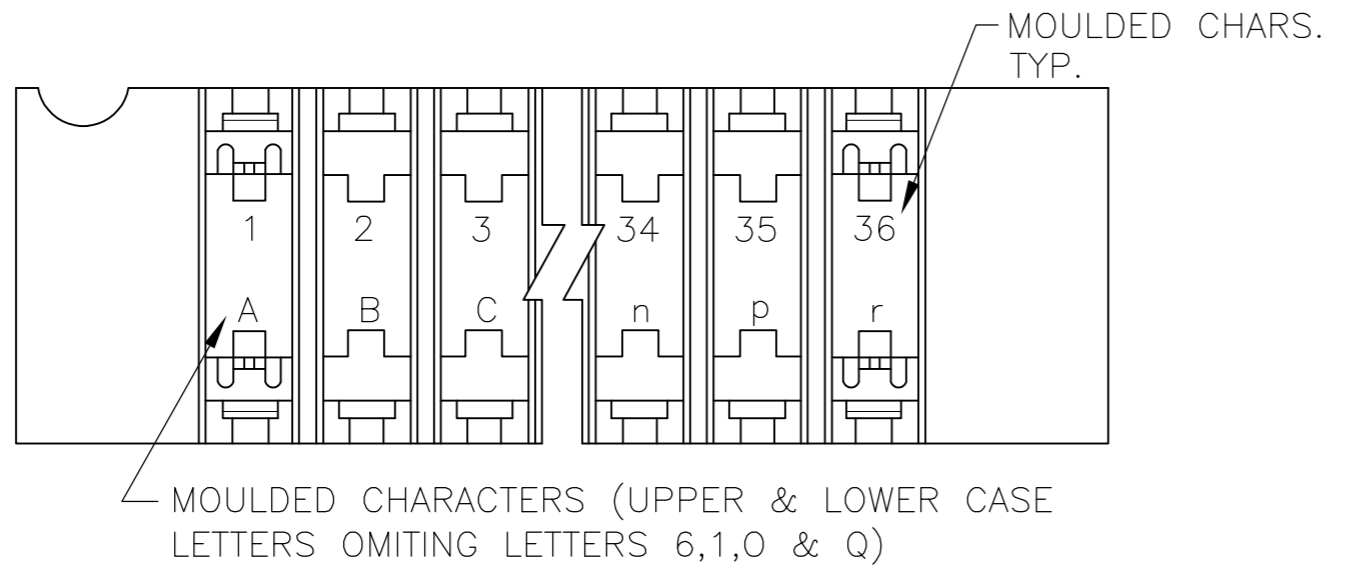


THIS DRAWING IS UNPUBLISHED. RELEASED FOR PUBLICATION
 © COPYRIGHT BY TYCO ELECTRONICS CORPORATION. ALL RIGHTS RESERVED.

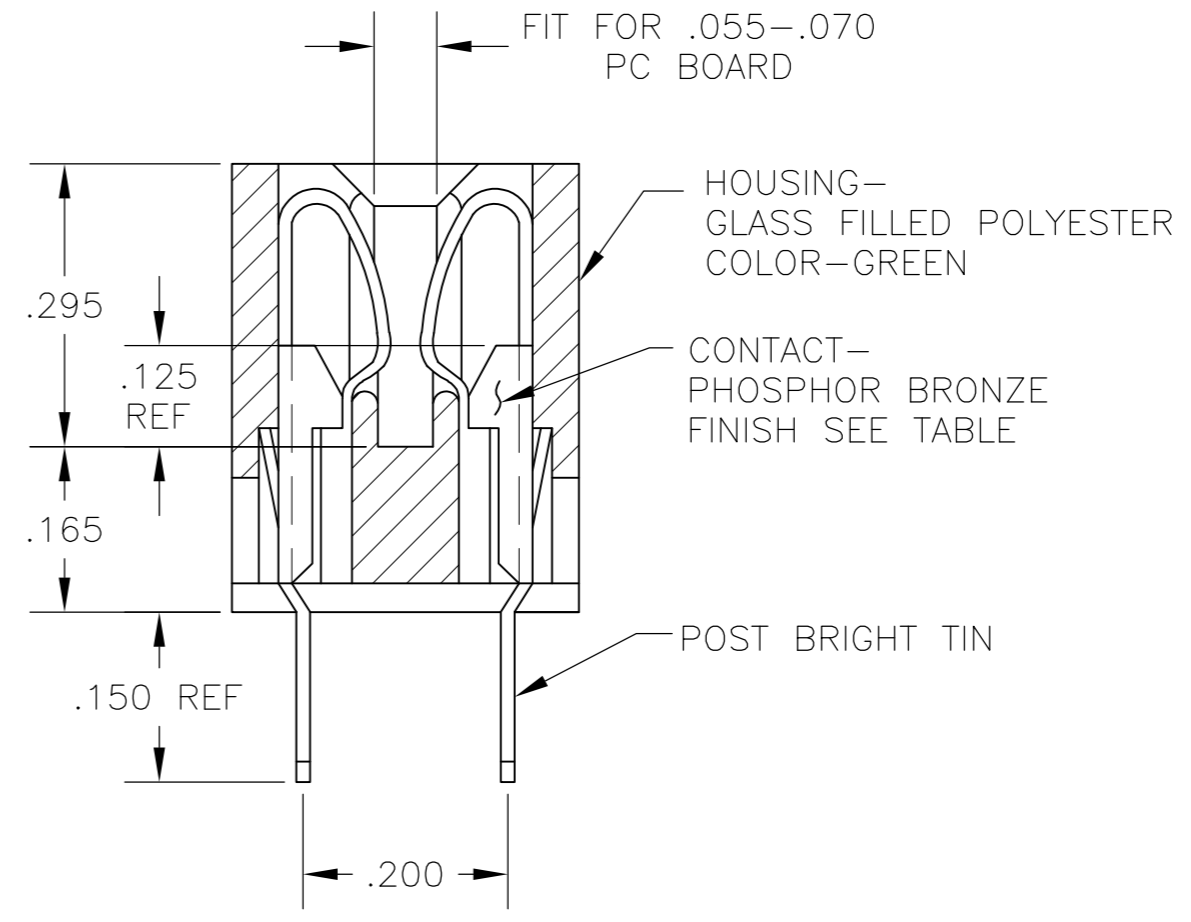
LOC	DIST	REVISIONS			
P	LTR	DESCRIPTION	DATE	DWN	APVD
AD	OO	H	ECO-07-012860	24JUL2007	RB MM



AMP, PART NO. & DATE CODE INK STAMPED WHITE OR HOT STAMP (NO WHITE TAPE) $\triangle 3$ IN THIS AREA (SIDE OPTIONAL)



- $\triangle 1$.000015 MIN. GOLD OVER .000050 MIN. NICKEL IN CONTACT AREA
- $\triangle 2$.000030 MIN. GOLD OVER .000050 MIN. NICKEL IN CONTACT AREA
- $\triangle 3$ ALL PARTS ASSEMBLED IN MEXICO MUST BE STAMPED "ASSY IN MEXICO" THE WORD "MEXICO" CAN BE SUBSTITUTED ONLY WHERE PART SIZE PROHIBITS STAMPING "ASSY IN MEXICO" INK STAMP COLOR WHITE OR HOT STAMP (NO WHITE TAPE) 115-9009, APPROX. WHERE SHOWN, SIDE OPTIONAL.
- $\triangle 4$ MATTE TIN PLATED CONTACT TAILS



SECTION X-X

$\triangle 4$	$\triangle 2$.370	3.276	3.596	3.736	22	5-531433-4
	$\triangle 2$.370	3.276	3.596	3.736	22	531433-4
OBSOLETE	$\triangle 1$.437	6.552	6.872	7.012	43	531433-3
OBSOLETE	$\triangle 1$.437	5.460	5.780	5.920	36	531433-2
OBSOLETE	$\triangle 1$.370	3.744	4.064	4.024	25	531433-1
		W	C	B	A	NO OF POSN.	PART NO.

THIS DRAWING IS A CONTROLLED DOCUMENT.		DWN 12MAR79 DEBRA KELLY	Tyco Electronics Corporation Harrisburg, Pa 17105-3608	
DIMENSIONS: INCHES	TOLERANCES UNLESS OTHERWISE SPECIFIED:	CHK E.P.	NAME	
	0 PLC ± - 1 PLC ± - 2 PLC ± - 3 PLC ± - 4 PLC ± - ANGLES ± - FINISH $\triangle 1$ $\triangle 2$	APVD -	HOUSING ASSY, LOW PROFILE EDGE CONNECTOR FLOW SOLDER FOR .040 DIA HOLE .156x.200 CL	
MATERIAL SEE CALL-OUT		PRODUCT SPEC -	SIZE A2	CAGE CODE 00779
		APPLICATION SPEC -	DRAWING NO C=531433	RESTRICTED TO -
		WEIGHT -	SCALE 5:1	SHEET 1 OF 1
		CUSTOMER DRAWING		REV H

531433

X-ON Electronics

Largest Supplier of Electrical and Electronic Components

Click to view similar products for [Standard Card Edge Connectors](#) category:

Click to view products by [TE Connectivity](#) manufacturer:

Other Similar products are found below :

[6565204-6](#) [PKC-156](#) [1437274-4](#) [147889-1](#) [1489165-4](#) [EBT156-12B1X](#) [EBT15622B2X](#) [EBT156-22R2W](#) [1-582587-1](#) [1-582589-1](#) [2-6437275-9](#) [284-0102-12100](#) [306022901000000](#) [307-012-502-202](#) [307-024-526-201](#) [307-056-520-300](#) [307-080-526-208](#) [1926088-2](#) [245-062-520-350](#) [287-0032-12101](#) [306-010-500-112](#) [306-028-525-102](#) [306-240-318](#) [307-036-502-202](#) [307-036-521-301](#) [307-072-526-202](#) [345-060-559-303](#) [368-004-520-201](#) [392-008-559-201](#) [534671-1](#) [5-530501-5](#) [341-240-317](#) [345-029-520-300](#) [345-030-500-301](#) [345-044-500-300](#) [345-220-058](#) [346-240-318](#) [387-012-523-300](#) [395-044-520-300](#) [395-100-524-300](#) [50-12B-10](#) [50-6SN-5](#) [09-07-2032](#) [10035388-106LF](#) [10035388-802LF](#) [10115859-011LF](#) [10122859-009LF](#) [101269333204245CLF](#) [10127905-B04B24BLF](#) [530555-1](#)