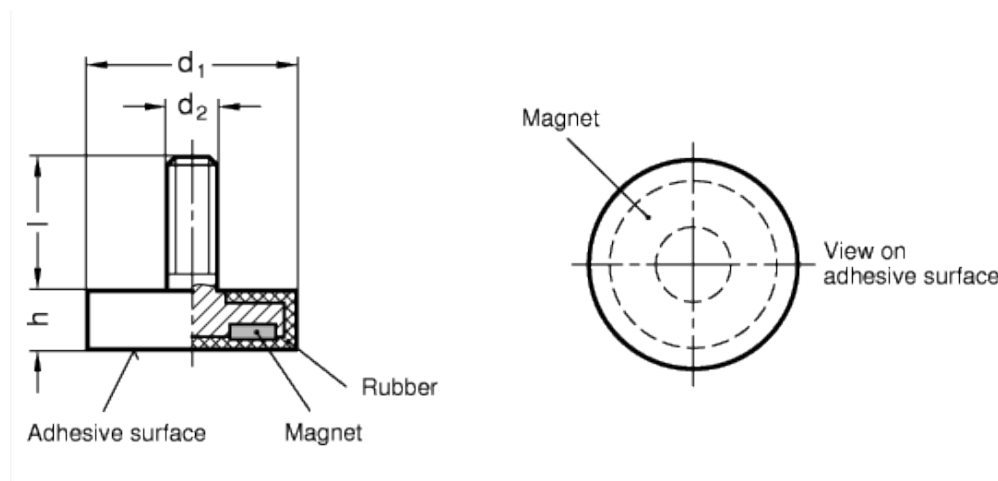


GN 51.3

Retaining magnets



technical informations

Specification

Disc-shaped, with threaded stud, with rubber jacket
 Steel part, zinc plated
 Rubber jacket Elastomer (TPE), 73 shore, black

Material of the magnet

Neodymium, iron, boron NdFeB ND, temperature resistant up to 80° C

Features and applications

Retaining magnets GN 51.3 are a shielded magnetic system with rubber jacket.

The rubber jacket protects sensitive surfaces from being damaged by the magnet and also delivers a higher friction coefficient, resulting in high lateral adhesion forces.

Standard Elements	Main dimensions				Nominal adhesive forces	Weight
Description	d ₁	d ₂	h	Length l	in N	g

GN 51.3-ND-22	22	M 4	6	6.5	50	11
GN 51.3-ND-43	43	M 6	6	15	85	32
GN 51.3-ND-66	66	M 8	8.5	15	180	107
GN 51.3-ND-88	88	M 8	8.5	15	420	193



STANDARD MACHINE ELEMENTS WORLDWIDE

X-ON Electronics

Largest Supplier of Electrical and Electronic Components

Click to view similar products for [Industrial Hall Effect/Magnetic Sensors](#) category:

Click to view products by [Elesa & Ganter](#) manufacturer:

Other Similar products are found below :

[GT-13013](#) [GT-13040](#) [GT-14114](#) [GT-14123](#) [DRR-129\(62-68\)](#) [ATS682LSHTN-T](#) [SR4P2-C7](#) [GT-12076](#) [GT-13012](#) [GT-14049](#) [GT-14067](#) [GT-14132](#) [GT-18030](#) [103FW12-R3](#) [A1155LLHLT-T](#) [A1106EUA-T](#) [SMSA2P30CG](#) [P2D-000](#) [GN 55.2-SC-15-3](#) [GN 55.2-SC-5-3](#) [103FW41-R1](#) [KJR-D100AN-DNA-VE](#) [KJR-D100AN-DNIA-V2](#) [SR-10018](#) [ECC464558EU](#) [SC9641TS](#) [CS200BK](#) [QMC6308](#) [VSM025A/8mA](#) [M10-JB5020D](#) [M12-JB8002C](#) [M12-JB8002D](#) [M12-JK5002B](#) [M8-MJK](#) [M12-MJK](#) [MM18-70APS-ZCK](#) [103FW5-4](#) [ATS128LSETN-T](#) [TLE4906LHALA1](#) [TLE49452LHALA1](#) [MMA8452Q](#) [BU52013HFV-TR](#) [MRMS591A](#) [103SR14A-1](#) [MZT7-03VPS-KR0](#) [MZT7-03VPS-KW0](#) [MZT8-03VPS-KW0](#) [MZT8-28VPS-KP0](#) [MM12-60APO-ZUK](#) [A1326LLHLX-T](#)