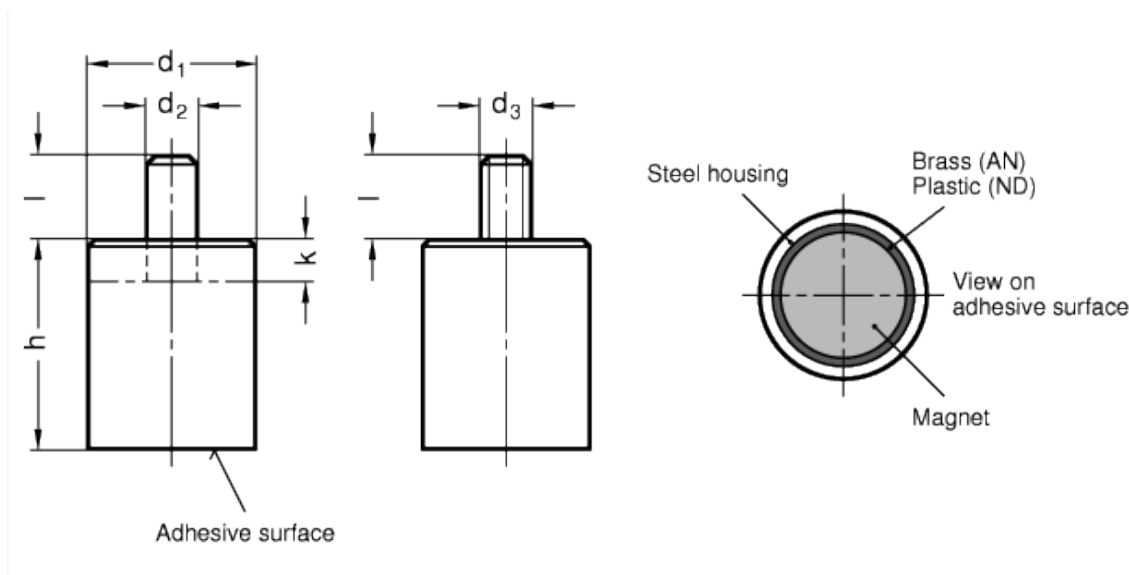


GN 52.4

Retaining magnets



technical informations

Specification

Rod-shaped, with stud
Housing, steel, zinc plated

Type D with smooth stud
Type E with threaded stud

Materials of the magnet

- Aluminium, nickel, cobalt AlNiCo AN, temperature resistant up to 450°C
- Neodymium, iron, boron NdFeB ND, temperature resistant up to 80°C

Features and applications

Retaining magnets GN 52.4 are a shielded magnetic system.

The design version with smooth stud is designed for attachment with rivets.

Standard Elements	Main dimensions					Nominal adhesive forces	Weight
Description	d ₁	d ₂ +0.2/-0.2	d ₃	h +0.2/-0.2	Length l	in N	g
GN 52.4-AN-6-3-D	6	3	-	20	8	2	5
GN 52.4-AN-8-3-D	8	3	-	20	8	4	8
GN 52.4-AN-10-4-D	10	4	-	20	8	8.5	13
GN 52.4-AN-13-4-D	13	4	-	20	8	12	21
GN 52.4-AN-16-5-D	16	5	-	20	8	20	32
GN 52.4-AN-20-6-D	20	6	-	25	8	40	59
GN 52.4-AN-25-8-D	25	8	-	35	10	60	128
GN 52.4-AN-32-10-D	32	10	-	40	10	160	220
GN 52.4-AN-40-15-D	40	15	-	50	20	240	468
GN 52.4-AN-50-18-D	50	18	-	60	25	400	872
GN 52.4-AN-63-20-D	63	20	-	65	30	660	1371
GN 52.4-AN-6-M3-E	6	-	M 3	20	7	2	5
GN 52.4-AN-8-M3-E	8	-	M 3	20	7	4	8
GN 52.4-AN-10-M4-E	10	-	M 4	20	8	8.5	13
GN 52.4-AN-13-M4-E	13	-	M 4	20	8	12	21
GN 52.4-AN-16-M4-E	16	-	M 4	20	10	20	31
GN 52.4-AN-20-M6-E	20	-	M 6	25	12	40	60
GN 52.4-AN-25-M6-E	25	-	M 6	35	10	60	125
GN 52.4-AN-32-M8-E	32	-	M 8	40	15	160	217
GN 52.4-AN-40-M8-E	40	-	M 8	50	15	240	458
GN 52.4-AN-50-M10-E	50	-	M 10	60	15	400	855
GN 52.4-AN-63-M12-E	63	-	M 12	65	20	660	1345
GN 52.4-ND-6-3-D	6	3	-	20	8	6	5
GN 52.4-ND-8-3-D	8	3	-	20	8	12	9
GN 52.4-ND-10-4-D	10	4	-	20	8	24	13
GN 52.4-ND-13-4-D	13	4	-	20	8	60	21
GN 52.4-ND-16-5-D	16	5	-	20	8	90	31
GN 52.4-ND-20-6-D	20	6	-	25	8	135	62
GN 52.4-ND-25-8-D	25	8	-	35	10	190	133
GN 52.4-ND-32-10-D	32	10	-	40	10	340	252
GN 52.4-ND-40-15-D	40	15	-	50	20	600	-
GN 52.4-ND-50-18-D	50	18	-	60	25	900	-
GN 52.4-ND-63-20-D	63	20	-	65	30	1300	-
GN 52.4-ND-6-M3-E	6	-	M 3	20	7	6	5
GN 52.4-ND-8-M3-E	8	-	M 3	20	7	12	9
GN 52.4-ND-10-M4-E	10	-	M 4	20	8	24	14
GN 52.4-ND-13-M4-E	13	-	M 4	20	8	60	23
GN 52.4-ND-16-M4-E	16	-	M 4	20	10	90	33
GN 52.4-ND-20-M6-E	20	-	M 6	25	12	135	62
GN 52.4-ND-25-M6-E	25	-	M 6	35	10	190	127
GN 52.4-ND-32-M8-E	32	-	M 8	40	12	340	220

GN 52.4-ND-40-M8-E	40	-	M 8	50	15	600	461
GN 52.4-ND-50-M10-E	50	-	M 10	60	15	900	860
GN 52.4-ND-63-M12-E	63	-	M 12	65	20	1300	1350

* This sizes and types are as a rule not available from stock and subject to a minimum quantity order.



STANDARD MACHINE ELEMENTS WORLDWIDE

X-ON Electronics

Largest Supplier of Electrical and Electronic Components

Click to view similar products for [Industrial Hall Effect/Magnetic Sensors](#) category:

Click to view products by [Elesa & Ganter](#) manufacturer:

Other Similar products are found below :

[GT-13013](#) [GT-13040](#) [GT-14114](#) [GT-14123](#) [DRR-129\(62-68\)](#) [ATS682LSHTN-T](#) [SR4P2-C7](#) [GT-12076](#) [GT-13012](#) [GT-14049](#) [GT-14067](#) [GT-14132](#) [GT-18030](#) [103FW12-R3](#) [A1155LLHLT-T](#) [A1106EUA-T](#) [SMSA2P30CG](#) [P2D-000](#) [GN 55.2-SC-15-3](#) [GN 55.2-SC-5-3](#) [103FW41-R1](#) [KJR-D100AN-DNA-VE](#) [KJR-D100AN-DNIA-V2](#) [SR-10018](#) [ECC464558EU](#) [SC9641TS](#) [CS200BK](#) [QMC6308](#) [VSM025A/8mA](#) [M10-JB5020D](#) [M12-JB8002C](#) [M12-JB8002D](#) [M12-JK5002B](#) [M8-MJK](#) [M12-MJK](#) [MM18-70APS-ZCK](#) [103FW5-4](#) [ATS128LSETN-T](#) [TLE4906LHALA1](#) [TLE49452LHALA1](#) [MMA8452Q](#) [BU52013HFV-TR](#) [MRMS591A](#) [103SR14A-1](#) [MZT7-03VPS-KR0](#) [MZT7-03VPS-KW0](#) [MZT8-03VPS-KW0](#) [MZT8-28VPS-KP0](#) [MM12-60APO-ZUK](#) [A1326LLHLX-T](#)