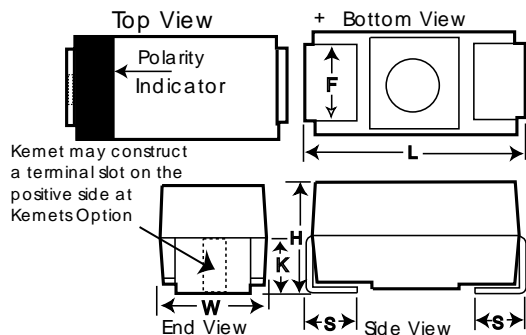


KEMET Part Number: T495B106K025ZTE750
(B45025B1069K757)

Capacitor, Tantalum, SMD, Molded, Low ESR, Surge Robust, 10 uF, 3528, +/-10% Tol, 25V@85C



Dimensions (mm)		
Symbol	Dimension	Tolerance
L	3.5	+/-0.2
W	2.8	+/-0.2
H	1.9	+/-0.2
K	1.4	typ
F	2.2	+/-0.1
S	0.7	+/-0.3

Notes:

-In polarity stripe, at KEMET's option, type may be indicated: see catalog for explanation of symbols

-Old part number [Obsolete] was B45025B1069K757

General Information	
Supplier:	KEMET
Part Type Description:	SMD, Molded, Low ESR, Surge Robust
Construction:	Standard Chip-MnO2

Specifications	
Capacitance:	10 uF
Voltage DC @ 85C:	25V
Voltage DC @ 105C:	20.88V
Voltage DC @ 125C:	16.75V
Tolerance:	+/-10%
Application:	General Purpose/Low ESR
Temperature Range:	-55/+125C
Body Type:	Molded Chip
ESR:	750 mOhm
Footprint:	3528
Termination:	Tin
RoHS:	Yes
Leakage Current:	2.5 uA
Dissipation Factor:	6%
Ripple @ 25C:	0.34 A
Ripple @ 85C:	0.306 A
Ripple @ 125C:	0.136 A

Packaging Specifications	
Package Kind:	T&R
Package Size:	7in
Package Quantity:	2000

X-ON Electronics

Largest Supplier of Electrical and Electronic Components

Click to view similar products for [Tantalum Capacitors - Solid SMD category:](#)

Click to view products by [Kemet manufacturer:](#)

Other Similar products are found below :

[B45197-A2157-M509](#) [B45197A5226M409](#) [293D686X0020E8T](#) [CWR09JC105KCB\M100](#) [CWR11CH107KBA](#) [TCSCS1A336KBAR](#) [419-2060-501](#) [B45196-H5106-K309](#) [B45196-H6226-K509](#) [CWR29JC106KBEZ](#) [T83D475K050RCCL](#) [591D158X06R3R2T20H](#) [M39006/22-0640H](#) [M39003/01-2596](#) [TCSCS1A476KBAR](#) [T83E107K016RCCL](#) [T83D685K035RCCL](#) [293D475X0035B2DE3](#) [TMCMB1C475KTRF](#) [293D155X9020A2DE3](#) [298W476X06R3M2T](#) [298W107X0004M2T](#) [CWR29NC225KDFC](#) [CWR29KC156KDHC\100](#) [CWR29HH155KCBB](#) [CWR29HC106KCDC](#) [293D476X9035E2TE3](#) [CWR29KC226JCGC](#) [T495D156K025ATE2757005](#) [T513X227K016BH4585](#) [CWR29DC337KCHC](#) [T97H107M040HSA](#) [595D686X9010B2T](#) [T25D337M016CSZ](#) [591D156X9025R8T15H](#) [594D686X9016C2T](#) [595D106X0025C8T](#) [CWR29DC226KBDA\TR](#) [CWR29FC106KBBA\TR](#) [CWR29FC686KBGA\TR](#) [CWR29FC157KBXA\TR](#) [CWR29HC105KBAA\TR](#) [CA55-B6R3M107T](#) [CA55-E025M107T](#) [TC212B475K035Y](#) [TAZH685K035LBSB0824](#) [TAZG107K010LBSB0800](#) [TAZH475K050LBSB0H23](#) [TAZH156K025CBSZ0824](#) [TBJD156K025CBSZ0824](#)