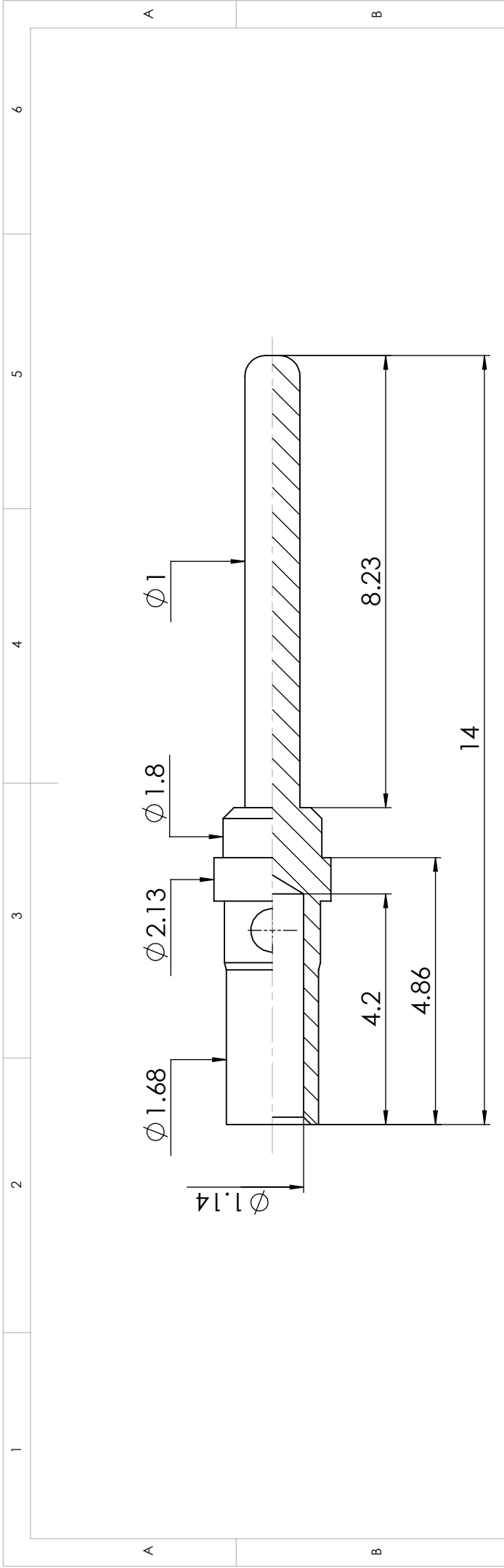


COMMENT:
 ALL RIGHTS ARE RESERVED BY US FOR THIS DRAWING. WITHOUT OUR PRIOR CONSENT,
 IT MAY NEITHER BE DUBLICATED NOR MADE AVAILABLE TO A THIRD PARTY,
 AND IT ALSO MAY NOT BE IMPROPERLY USED BY TE RECEIVER, OR A THIRD PARTY.



②	FK20PL-13V/CU	Brass (non magnetic)	1,3µm Au over Cu
	FK20P-13V/CU	Brass (non magnetic)	1,3µm Au over Cu
	FK20P-13V	Brass	1,3µm Au over Ni
	FK20PL-08V	Brass	0,8µm Au over Ni
	FK20PL-02V	Brass	0,2µm Au over Ni
③	FK20PL-01V	Brass	0,1µm Au over Ni
	Part No.	Material	Surface plating/Colour/Class

Measurement without tolerance occ. to ISO 2768-m	SCALE	TITLE
	10:1	
DRAWN	NAME / DATE	
CHECKED	Denzinger 10-09-2002	
	MTeubel 02-05-2013	
3	29-04-2013	23453
2	16-04-2010	22576
1		
REV.	DATE	CH.-NO.
2		

Crmp Pin Contact AWG 20-24

DWG.NO. **FK20PL_D**

REV. **3**

REPLACEMENT FOR: **DK20PL α / FK20P_D α**

PAGES **1**



ORIGINAL: DIN A4-DRAWING AS A FILE

X-ON Electronics

Largest Supplier of Electrical and Electronic Components

Click to view similar products for [fct electronics manufacturer](#):

Other Similar products are found below :

[F2W2SC-1002](#) [FMK3-K201](#) [FT2W2SC-K121](#) [K761](#) [24P104C24P1-006](#) [SDB15P159S-060](#) [SHD15P15S-012](#) [SHD15P15S-036](#) [FU27W2S7-K121](#) [2761](#) [ICD040GVP163D-03](#) [ICD040GVP163D-25](#) [10056427-1050011LF](#) [155298-002](#) [155286-001](#) [172704-0016](#) [173112-0413](#) [173113-0152](#) [173109-0036](#) [111-0098-994](#) [173107-0568](#) [FM24W7P-K120](#) [FM9W4P-K120](#) [FWDR15S](#) [RB09P09P-006](#) [FLW0915S7](#) [FT2W2PC-K120](#) [25P203C25P2-003](#) [K1003](#) [10112041-2020HLF](#) [173112-0077](#) [173112-0074](#) [173114-0092](#) [10046971-019LF](#) [10093084-2010LF](#) [FWDR09S1](#) [SHD26P26S-012](#) [FWDR15P](#) [74977-101001LF](#) [FM25W3PA-K120](#) [173112-0073](#) [151-2811-010](#) [91910-21169LF](#) [SHD15P15S-060](#) [FKC3GNME](#) [FKT5](#) [CT50-78P7](#) [HM2R89PA8100N9LF](#) [FM27W2SA-K121](#) [73231-1321](#)