

ATSM-49-R Surface Mount Crystals



Order by:

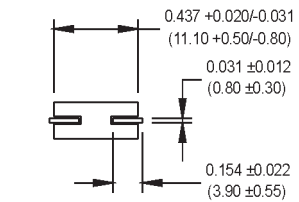
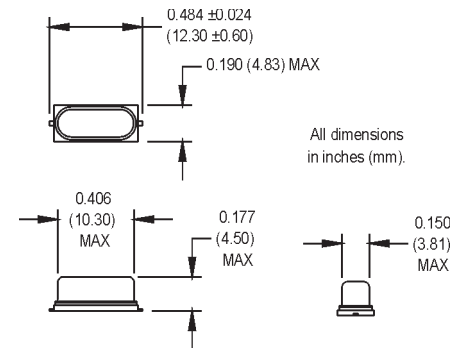
*ATSM-49-R 00.0000 MHz (Frequency)
-R signifies RoHS compliant part

For Custom P/N:

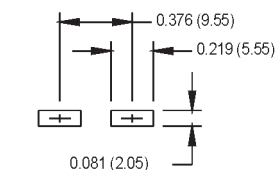
M1001Sxxx - Contact factory for datasheet

Equivalent Series Resistance (ESR), Max.

Frequency Range	ESR (Ω)
3.579 to 3.999 MHz	200 Ω
4.000 to 4.999 MHz	150 Ω
5.000 to 5.999 MHz	120 Ω
6.000 to 9.999 MHz	100 Ω
10.000 to 13.999 MHz	80 Ω
14.000 to 40.000 MHz	50 Ω
Fundamental (BT-cut)	Note 1
24.000 to 50.000 MHz	100 Ω
Third Overtones (AT-cut)	
25.000 to 39.999 MHz	100 Ω
40.000 to 72.000 MHz	80 Ω



SUGGESTED SOLDER PAD LAYOUT



MtronPTI ATSM-49 Options	
Order by part number listed followed by the desired frequency.	
Part No.	Description
520-010-R	Fundamental frequencies, -20°C to +70°C operating temperature
520-230-R	Fundamental frequencies, 20pF load capacitance
520-260-R	Fundamental frequencies, 32pF load capacitance
520-910-R	3 rd overtone frequencies, 18 pF load capacitance
520-930-R	3 rd overtone frequencies, 20pF load capacitance
520-960-R	3 rd overtone frequencies, 32pF load capacitance
522-210-R	Fundamental frequencies, -40°C to +85°C operating temperature
522-215-R	3 rd overtone frequencies, -40°C to +85°C operating temperature
Balance of specifications same as shown in "Electrical Specifications"	
Contact the factory for options not listed above.	

	PARAMETER	Symbol	Min.	Typ.	Max.	Units	Condition/Notes
Electrical Specification	Frequency Range	F	3.579545		72	MHz	
	Frequency Tolerance	F/F			±30	ppm	
	Frequency Stability	ΔF/F			±50	ppm	
	Operating Temperature	T _A	-10		+70	°C	
	Storage Temperature	T _S	-55		+125	°C	
	Aging 1 st Year Thereafter (per year)				+3 +5	ppm ppm	Up to 3 rd year
	Load Capacitance	C _L		18		pF	See Note 2
	Shunt Capacitance	C ₀			7	pF	
	ESR		See ESR Table				
	Drive Level	D _L	25	100	500	μW	
	Insulation Resistance	I _R	500			MΩ	
Environmental	Aging	Internal Specification, 168 hrs. at +55°C					
	Physical Dimensions	MIL-STD-883, Method 2016					
	Shock	MIL-STD-202, Method 213 Condition C, 100 g					
	Vibration	MIL-STD-202, Methods 201 & 204, 10 g from 10-2000 Hz					
	Thermal Cycle	MIL-STD-883, Method 1010, Condition B, -55°C to +125°C					
	Gross Leak	MIL-STD-202, Method 112, 30 sec. Immersion					
	Fine Leak	MIL-STD-202, Method 112, 1 x 10 ⁻⁸ atmcc/sec. min.					
	Resistance to Solvents	MIL-STD-883, Method 2015, Three 1 minute soaks					
Max Soldering Conditions	See solder profile						

Note 1: BT Cut fundamentals from 24.000 to 40.000 MHz have a tolerance of ±50 ppm and 100 ppm stability. Order by P/N 471-010-R-Frequency.

Note 2: Series resonant designated by "SR" prefix (ie., SRATSM-49-R).

MtronPTI reserves the right to make changes to the product(s) and service(s) described herein without notice. No liability is assumed as a result of their use or application.

Please see www.mtronpti.com for our complete offering and detailed datasheets. Contact us for your application specific requirements: MtronPTI 1-800-762-8800.

MtronPTI Lead Free Solder Profile



MtronPTI reserves the right to make changes to the product(s) and service(s) described herein without notice. No liability is assumed as a result of their use or application.

Please see www.mtronpti.com for our complete offering and detailed datasheets. Contact us for your application specific requirements: MtronPTI 1-800-762-8800.

X-ON Electronics

Largest Supplier of Electrical and Electronic Components

Click to view similar products for [Crystals](#) category:

Click to view products by [MtronPTI](#) manufacturer:

Other Similar products are found below :

[CS325S24000000ABJT](#) [718-13.2-1](#) [MC405 32.0000K-R3:PURE SN](#) [FC-135R 32.7680KF-A3](#) [7A-40.000MAAE-T](#) [7B-27.000MBBK-T](#)
[FL2000085](#) [9B-15.360MBBK-B](#) [9C-7.680MBBK-T](#) [ASH7K-32.768KHZ](#) [AT-41.600MAGQ-T](#) [BTD1062E05A-513](#) [LFX TAL066198Cutt](#)
[9C-14.31818MBBK-T](#) [FA-238 50.0000MB30X-K3](#) [FC-12M 32.7680KA-AC3](#) [SSPT7F-9PF20-R](#) [FX325BS-38.88EEM1201](#)
[LFX TAL065253Cutt](#) [LFX TAL066431Cutt](#) [XT9S20ANA14M7456](#) [XT9SNLANA16M](#) [646G-24-2](#) [7A-24.576MBBK-T](#) [7B-30.000MBBK-T](#)
[WX26-32.768K-6PF](#) [9B-14.31818MBBK-B](#) [CD1AM](#) [7B-25.000MAAE-T](#) [7A-14.31818MBBK-T](#) [6504-202-1501](#) [6526-202-1501](#) [FA-118T](#)
[27.1200MB50P-K0](#) [FC-135R 32.7680KA-A3](#) [ABM12-104-37.400MHZT](#) [ABLS-10.000MHZ-D3W-T](#) [BTJ112E01E-513](#) [BTJ722K01C-7067](#)
[BTL-20-513](#) [TSX-3225 24.0000MF15X-AC](#) [TSX-3225 16.0000MF18X-AC](#) [BTJ120E02C](#) [BTL-12-513](#) [7A-10.000MBBK-T](#) [7A-](#)
[11.0592MBBK-T](#) [ABM12-103-24.000MHZT](#) [CS325S25000000ABJT](#) [ABM3B-25.000MHZ-B2-X-T](#) [FC-135 32.7680KA-A5](#) [FX0800015](#)