

A

Attachable heatsink

B

C

D

E

F

G

H

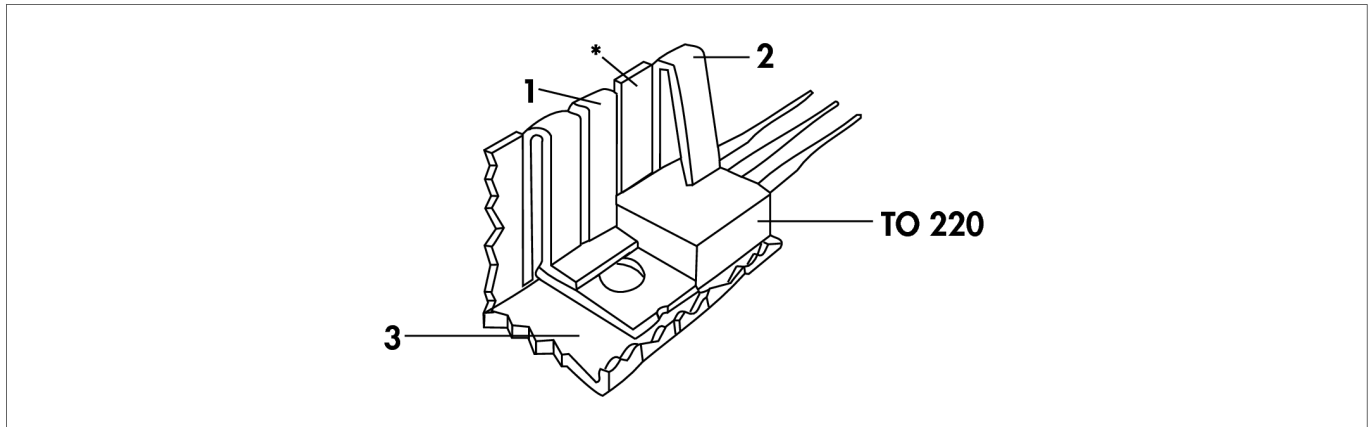
I

K

L

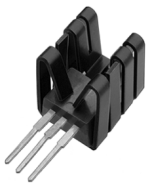
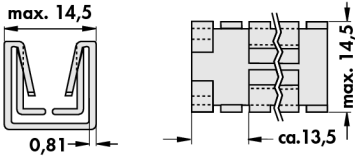
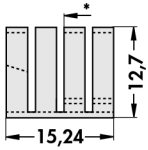
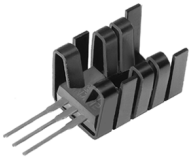
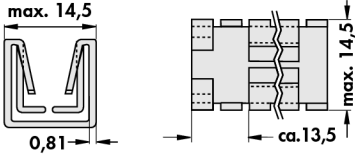
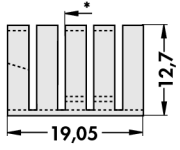

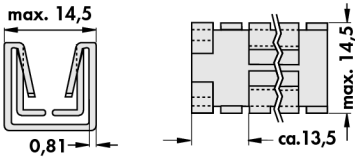
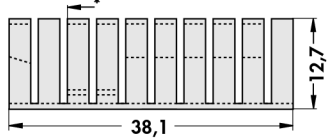
M

N



- narrow version with better thermal resistance
- max. 14.5 mm wide
- 3 different lengths for varied dissipation power
- takes less space than any other attachable heatsink
- simple assembly by pushing the heatsink onto the TO 220 housing
- the cooling fingers form spring clamps (**1+2**), which pushes the TO 220 and it's mounting flange onto the heatsink (**3**)
- optimum heat transfer due the constant pressure on the entire contact surface of the TO 220 cases
- effective heat emmission with horizontal and vertical mounting

without soldering lug

art. no. 		26 K/W	
art. no. 		21 K/W	
art. no. 		16 K/W	

* = touch in edge of transistor

material: aluminium
surface treatment: black anodised

C 13
Heatsinks for D PAK
Heatsinks for transistors
Silicone wafers
Mica wafers

 → C 17
 → C 4 - 9
 → E 2 - 4
 → E 11

Technical introduction
U-shaped heatsink
Aluminium oxide wafers
Kapton insulator washers

 → A 2 - 7
 → A 117 - 120
 → E 9 - 10
 → E 8

X-ON Electronics

Largest Supplier of Electrical and Electronic Components

Click to view similar products for [fisher manufacturer](#):

Other Similar products are found below :

[FR 105 52 220 ME](#) [FR 120 42 200 ME](#) [GEL 28 30](#) [GEL 45 10](#) [GEL 45 50](#) [GEL 60 10](#) [AKG 33 20 80 ME](#) [ICKSR40X30](#) [LA 17 150 230](#) [LA 21 150 230](#) [LA 21 150 24](#) [LA 27 K 100 12](#) [LA 27 K 100 24](#) [LA 27 K 150 12](#) [LA 27 K 50 24](#) [SK4615AL](#) [SK 47 250 SA](#) [SK56920AL](#) [SK57225SA](#) [SK57720AL](#) [SK58420AL](#) [SK58437.5SA](#) [SK 622 1000 AL](#) [SK 622 1000 SA](#) [SK 622 100 AL](#) [SK 623 100 SA](#) [SK 626 1000 SA](#) [SK 626 50 SA](#) [SK 627 1000 AL](#) [SK 627 200 AL](#) [SK 627 200 SA](#) [SK 627 50 SA](#) [SK 632 100 AL](#) [SK 633 25 AL](#) [SK 636 100 AL](#) [SK LED R 65 SA](#) [SK LED R 80 SA](#) [AKG 69 24 100 SA](#) [FR 80 42 160 ME](#) [GE K 80 42 100 SA](#) [GEL 45 30](#) [GEL 60 25](#) [GEL F 15 10](#) [TUF 120 42 220 ME](#) [TUF 55 16 200 SA](#) [LA 27 K 50 12](#) [LA 27 K 75 12](#) [LA 27 K 75 24](#) [WAG 200 SA](#) [SK57025AL](#)