
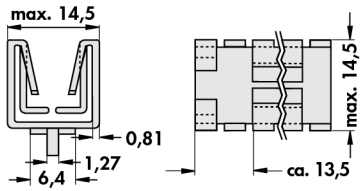
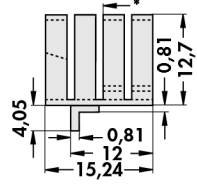

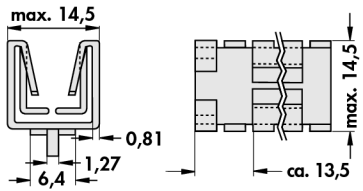
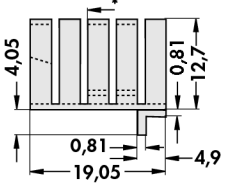

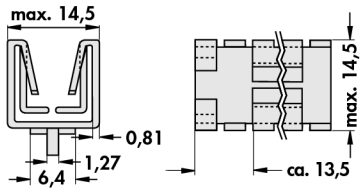
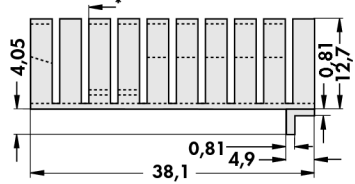


Attachable heatsink

with tinned soldering lug for direct soldering onto circuit board, for horizontal installation


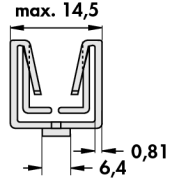
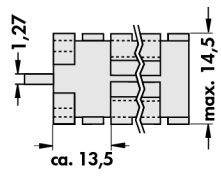
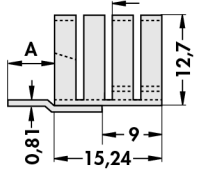
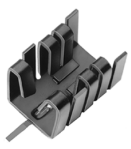
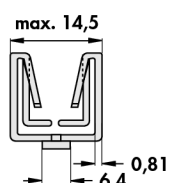
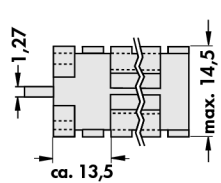
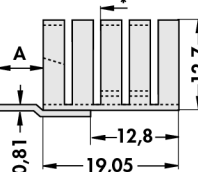

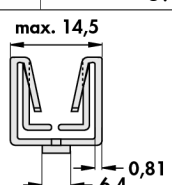
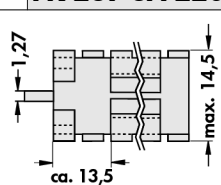
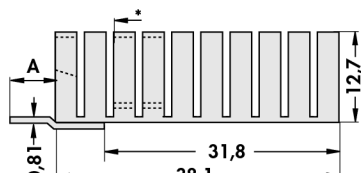
art. no.			26 K/W 
FK 242 SA 220 H			
art. no.			21 K/W 
FK 237 SA 220 H			
art. no.			16 K/W 
FK 240 SA 220 H			

* = touch in edge of transistor

material: aluminium

surface treatment: black anodised

with tinned soldering lug for direct soldering onto circuit board, for vertical installation

					
art. no.	R_{th} [K/W]	A [mm]	art. no.	R_{th} [K/W]	A [mm]
FK 242 SA 220 V	26	6.35	FK 242 SA 220 VL	26	9.53
					
art. no.	R_{th} [K/W]	A [mm]	art. no.	R_{th} [K/W]	A [mm]
FK 237 SA 220 V	21	6.35	FK 237 SA 220 VL	21	9.53
					
art. no.	R_{th} [K/W]	A [mm]	art. no.	R_{th} [K/W]	A [mm]
FK 240 SA 220 V	16	6.35	FK 240 SA 220 VL	16	9.53

* = touch in edge of transistor

material: aluminium

surface treatment: black anodised

Heatsinks for D PAK
Heatsinks for transistors
Silicone wafers
Mica wafers

→ C 17
→ C 4 - 9
→ E 2 - 4
→ E 11

technical annotations
U-shaped heatsink
Aluminium oxide wafers
Kapton insulator washers

→ A 2 - 7
→ A 117 - 120
→ E 9 - 10
→ E 8

X-ON Electronics

Largest Supplier of Electrical and Electronic Components

Click to view similar products for [fisher manufacturer](#):

Other Similar products are found below :

[FR 105 52 220 ME](#) [FR 120 42 200 ME](#) [GEL 28 30](#) [GEL 45 10](#) [GEL 45 50](#) [GEL 60 10](#) [AKG 33 20 80 ME](#) [AKG 69 24 100 ME](#) [BL 16 SMD](#)
[067 12](#) [ICKSR40X30](#) [CAB 5 05 GS](#) [LA 17 150 230](#) [LA 21 150 230](#) [LA 21 150 24](#) [LA 27 K 100 12](#) [LA 27 K 100 24](#) [LA 27 K 150 12](#) [LA 27](#)
[K 50 24](#) [SK4615AL](#) [SK56920AL](#) [SK57225SA](#) [SK57720AL](#) [SK58420AL](#) [SK58437.5SA](#) [SK 622 1000 AL](#) [SK 622 1000 SA](#) [SK 622 100 AL](#)
[SK 623 100 SA](#) [SK 626 1000 SA](#) [SK 627 1000 AL](#) [SK 627 200 AL](#) [SK 627 200 SA](#) [SK 627 50 SA](#) [SK 636 100 AL](#) [SK LED R 65 SA](#) [SK](#)
[LED R 80 SA](#) [AKG 69 24 100 SA](#) [AKG 69 24 50 SA](#) [AKG 71 24 80 ME](#) [FR 80 42 160 ME](#) [GE K 80 42 100 SA](#) [GEL 10](#) [GEL 45 30](#) [GEL](#)
[60 25](#) [GEL F 15 10](#) [TUF 120 42 220 ME](#) [TUF 55 16 200 SA](#) [CAB 5 ZS](#) [CAB 9 GS](#) [LA 27 K 50 12](#)