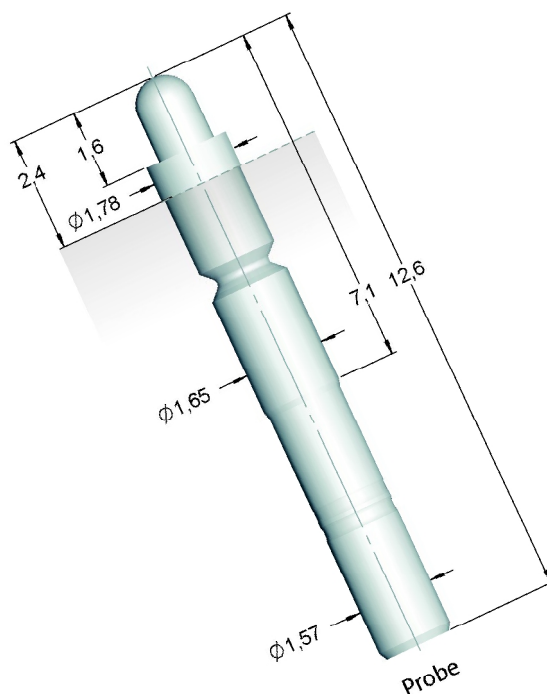


Bare PCB Testing and Interfaces

F620

For all applications that require a low installation height. Due to its execution the pin can be soldered directly into the plate. The barrel is sealed with a ball, thus enabling the cable to be soldered into the probe.

Please find the corresponding interface pin for contacting on page 49.

**Mechanical Specifications**

Working Travel: 1,3 mm
 Full Travel: 1,6 mm
 Preload: 40 cN
 Spring Force at Working Travel:
 75 cN $\pm 20\%$
 130 cN $\pm 20\%$ (On Request)
 Mechanical Life: 1,5 mill. cycles
 Pointing Accuracy: $\pm 0,08$ mm

Electrical Specifications

Maximum Continuous Current: 3,0 A
 Typical Probe Resistance: 30 mOhm

Materials and Finishes

Plunger: see Tip Style
 Barrel: Bronze, Gold plated
 Spring: Music Wire, Silver plated

Projection Height

F620

2,4 mm

Order Example

Type	Tip Diameter	Spring Force
F620	01S	120
Tip Style	Material	Plunger Finish
L	075	

Material: S = Steel
Tip Diameter: 1,2 mm = 120
Plunger Finish: L = Longtime gold plated,
 N = Nickel plated,
 R = Rhodium plated

Plunger Tip Style, Material, Finish and Tip Diameter

01 Steel; L



Ø 1,2 mm

11 Steel; N, L, R



Ø 1,2 mm

Centers 2,54 mm/100 mil

	Current	Temperature
Standard	3,0 A	-20°... +80° C

X-ON Electronics

Largest Supplier of Electrical and Electronic Components

Click to view similar products for [Test Sockets](#) category:

Click to view products by [Feinmetall](#) manufacturer:

Other Similar products are found below :

[AXS-5032-04-02](#) [AXS-3225-04-06](#) [AXS-7050-04-12](#) [5662](#) [BP30-10-B](#) [BP30GNN-1 PKG](#) [BP30-10Y-1 PKG](#) [AXS-7050-04-01](#) [AXS-5032-04-06](#) [AXS-2520-04-01](#) [AXS-5032-04-04](#) [930308101](#) [931714101](#) [15.0084-21](#) [563-0500](#) [20.1020-21](#) [20-313137](#) [20-313139](#) [20-313144](#) [20-313140](#) [20-313143](#) [22.1042](#) [+ 22.2370-22](#) [23.1010-23, 24, 25, 26, 27](#) [23.3060-23](#) [24.0160-1+25.0035](#) [24.0160-4+25.0035](#) [24.116-22](#) [5281](#) [5279](#) [450-3704-01-06-00](#) [AXS-3225-04-04](#) [AXS-3225-04-10](#) [AXS-7550-06-03](#) [AXS-7550-06-05](#) [269RB](#) [2713BB](#) [BP30BN-1 PKG](#) [BP30RN-1 PKG](#) [571-0200](#) [450-3422-01-06-00](#) [450-3888-01-04-00](#) [BP30GP10](#) [571-0400](#) [571-0600](#) [66.9131-23](#) [66.9427-22](#) [BP21-2BRN-B](#) [PKG](#) [930058104](#) [930103102](#) [930103188](#)