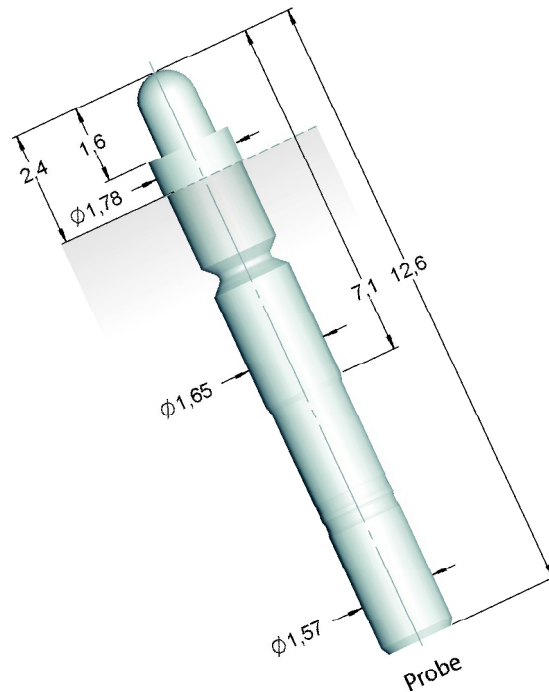


## Bare PCB Testing and Interfaces

## F620

For all applications that require a low installation height. Due to its execution the pin can be soldered directly into the plate. The barrel is sealed with a ball, thus enabling the cable to be soldered into the probe.

Please find the corresponding interface pin for contacting on page 49.

**Mechanical Specifications**

Working Travel: 1,3 mm  
 Full Travel: 1,6 mm  
 Preload: 40 cN  
 Spring Force at Working Travel:  
 75 cN  $\pm$ 20%  
 130 cN  $\pm$ 20% (On Request)  
 Mechanical Life: 1,5 mill. cycles  
 Pointing Accuracy:  $\pm$ 0,08 mm

**Electrical Specifications**

Maximum Continuous Current: 3,0 A  
 Typical Probe Resistance: 30 mOhm

**Materials and Finishes**

Plunger: see Tip Style  
 Barrel: Bronze, Gold plated  
 Spring: Music Wire, Silver plated

**Projection Height**

F620

2,4 mm

**Order Example**

Type	Tip Diameter	Spring Force
F620	01S	120 L 075
	Tip Style	Material
		Plunger Finish

**Material:** S = Steel  
**Tip Diameter:** 1,2 mm = 120  
**Plunger Finish:** L = Longtime gold plated,  
 N = Nickel plated,  
 R = Rhodium plated

**Plunger Tip Style, Material, Finish and Tip Diameter**

01 Steel; L



Ø 1,2 mm

11 Steel; N, L, R



Ø 1,2 mm

Centers 2,54 mm/100 mil

	Current	Temperature
Standard	3,0 A	-20°... +80° C

## X-ON Electronics

Largest Supplier of Electrical and Electronic Components

*Click to view similar products for [Test Plugs & Test Jacks](#) category:*

*Click to view products by [Feinmetall](#) manufacturer:*

Other Similar products are found below :

[579-0400](#) [66000-7](#) [R644543000](#) [R921923000](#) [R921930000](#) [R941344000](#) [R948161000](#) [R999351000](#) [1408-4](#) [1533-1](#) [174-R825B-EX](#)  
[NYS508-BU](#) [1680](#) [174-R819B-EX](#) [R644543003](#) [R644543020](#) [R644543021](#) [R921926000](#) [R921931000](#) [R921932000](#) [R921934000](#)  
[R929991000](#) [R941460000](#) [R941461000](#) [R941463600](#) [R941920600](#) [R948160000](#) [31B-2-RED](#) [032-0016-023](#) [105-1106-001](#) [108-1000-106](#)  
[108-2301-621](#) [111-0707-001](#) [66001-9](#) [7013](#) [1395080-1](#) [930166100](#) [NYS508-GR](#) [NYS508-W](#) [NYS508-Y](#) [NYS511-R](#) [BP30-2BR10-B PKG](#)  
[BP30-10-WT](#) [BP30-2BR-B PKG](#) [BP30Y-1 PKG](#) [R941049000](#) [R941340000](#) [R948141029](#) [R644543022](#) [R948142000](#)