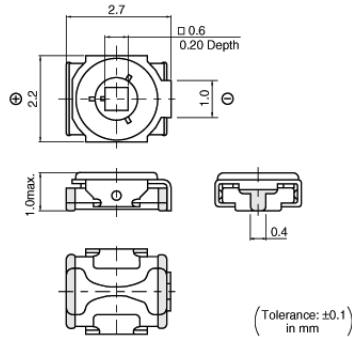


TZS2R200A001R00

Discontinued **RoHS** **REACH**

Appearance & Shape



Features

1. Ultra-small and thin type with external dimensions of 2.2(W)x2.7(L)x0.95(H)mm (30% less in volume than the current product).
2. Unique construction with no plastic material provides superior soldering heat resistance to maintain excellent characteristic performance after reflow soldering.
3. Pierced square hole allows for high resistance to tuning force and in-process automatic adjustment.

Packaging Information

Packaging	Specifications	Minimum Order Quantity
R00	180mm Embossed Tape	3000

Attention

1. This datasheet is downloaded from the website of Murata Manufacturing Co., Ltd. Therefore, its specifications are subject to change or our products in it may be discontinued without advance notice. Please check with our sales representatives or product engineers before ordering.
2. This datasheet has only typical specifications because there is no space for detailed specifications. Therefore, please review our product specifications or consult the approval sheet for product specifications before ordering.

TZS2R200A001R00

Specifications

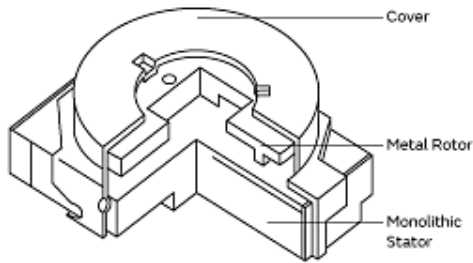
Shape	SMD
Operating Temperature Range	-25°C to 85°C
Thickness	1mm
Thickness Tolerance	max.
Rated Voltage	25Vdc
Cmin.(max.)	7pF
Cmax.	20pF
Cmax. Tolerance	+100/-0%
Adjustment Direction	Top
TC	N750±500ppm/°C
Q	500min. at 1MHz, Cmax.
Withstanding Voltage	55Vdc
Insulation Resistance(min.)	10000MΩ
Torque	0.7 to 4.9mNm
Mass	0.02g

Attention

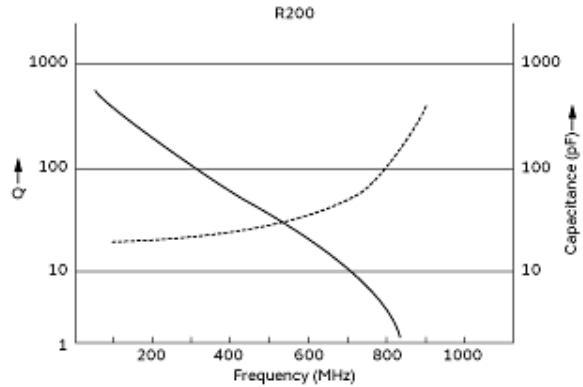
- 1.This datasheet is downloaded from the website of Murata Manufacturing Co., Ltd. Therefore, it's specifications are subject to change or our products in it may be discontinued without advance notice. Please check with our sales representatives or product engineers before ordering.
- 2.This datasheet has only typical specifications because there is no space for detailed specifications. Therefore, please review our product specifications or consult the approval sheet for product specifications before ordering.

TZS2R200A001R00

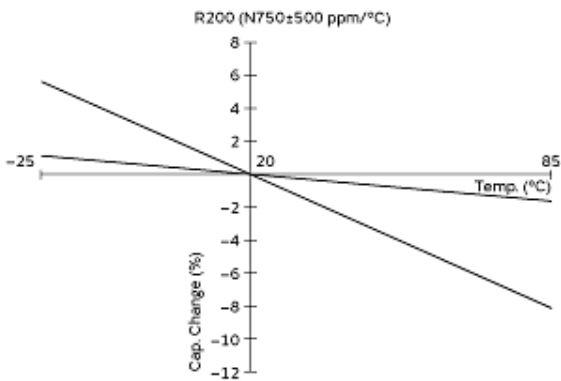
Product Data



Constructions



Frequency Characteristics



Temp. Coeff. Characteristics

Attention

- 1.This datasheet is downloaded from the website of Murata Manufacturing Co., Ltd. Therefore, it's specifications are subject to change or our products in it may be discontinued without advance notice. Please check with our sales representatives or product engineers before ordering.
- 2.This datasheet has only typical specifications because there is no space for detailed specifications. Therefore, please review our product specifications or consult the approval sheet for product specifications before ordering.

X-ON Electronics

Largest Supplier of Electrical and Electronic Components

Click to view similar products for [Trimmer/Variable Capacitors](#) category:

Click to view products by [Murata](#) manufacturer:

Other Similar products are found below :

[8000-5130](#) [GKY20086](#) [GNC8R050](#) [GXA18000](#) [GXA36000](#) [GXC90000](#) [GXE5R000NM](#) [GXL10000](#) [GZN60100](#) [PC50H230](#) [PC50J110](#)
[PC51H230](#) [GDT40026](#) [GKU90020](#) [GNR4R550](#) [GNR8R050](#) [GXL15000](#) [538-011 D 9-35LF](#) [SGC3S100NM](#) [PC39G520](#) [STPTIC-15G2C5](#)
[STPTIC-82G2C5](#) [GNL8R050](#) [GYB5R000](#) [BFC280823508](#) [GXL18000](#) [GKG30086-05](#) [GHC5R500](#) [GKG10086](#) [GZD80000](#) [0538-000-A-](#)
[5.5-18LF](#) [0538-006-F-15.0-60LF](#) [TP11G](#) [KT1SD](#) [KF8](#) [KP8](#) [KM8](#) [KG8](#) [KJ8](#) [KT8](#) [KG10](#) [KP10](#) [KF10](#) [KJ10](#) [KM10](#) [TP42C](#) [NMAJ25HV](#)
[TM120C](#) [KF4SD](#) [KJ1SD](#)