

2 Type

- A** forked clamping arm
- E** solid clamping arm

1

| Size | F _H in N Holding force | a ≈ | b ₁ | b ₂ | b ₃ | d ₁ | d ₂ ≈ | h ₁ ≈ | h ₂ | h ₃ | h ₄ |
|------|--------------------------------------|-----|----------------|----------------|----------------|----------------|------------------|------------------|----------------|----------------|----------------|
| 75 | 900 | 20 | 29 | 34 | 5,2 | M 5 | 4,5 | 98 | 20,5 | 11 | 21 |
| 130 | 1600 | 28 | 35 | 42 | 6,2 | M 6 | 5,5 | 142 | 28 | 16 | 26,5 |
| 230 | 2200 | 40 | 43 | 45 | 8,5 | M 8 | 6,5 | 168 | 33,5 | 18 | 31 |
| 330 | 2700 | 43 | 50 | 65 | 10,5 | M 10 | 8,5 | 195 | 43 | 22 | 38 |
| 430 | 3000 | 64 | 58 | 65 | 12,5 | M 12 | 8,5 | 247 | 55,5 | 26 | 45 |
| 530 | 4600 | 90 | 80 | 95 | 12,5 | M 12 | 12,5 | 303 | 84,5 | 32 | 51 |

| Size | l ₁ ≈ | | l ₂ ≈ | l ₃ max. | m ₁ | m ₂ | m ₃ | m ₄ | r ≈ | s ₁ | s ₂ |
|------|------------------|--------|------------------|------------------------|----------------|----------------|----------------|----------------|------|----------------|----------------|
| | Type A | Type E | | | | | | | | | |
| 75 | 66,5 | 67 | 31,5 | 41 | 15 | 16 | 24 | 24 | 62,5 | 2 | 4 |
| 130 | 85 | 86 | 42 | 54 | 12,5 | 19 | 27 | 29 | 79,5 | 2,5 | 5 |
| 230 | 110,5 | 112 | 58 | 73 | 19 | 20 | 32 | 32 | 104 | 3 | 6 |
| 330 | 129 | 130,5 | 66 | 86 | 29 | 32 | 46 | 45 | 122 | 3,5 | 7 |
| 430 | 164 | 166 | 88 | 114 | 32 | 32 | 45 | 45 | 156 | 4 | 10 |
| 530 | 223 | 225 | 125 | 152 | 50 | 51 | 70 | 70 | 212 | 7 | 10 |

Specification

- Parts in sheet metal
Case hardening steel C10
zinc plated, blue passivated
- Bearing pins tempered
- Bearing rivets (from size 230 upwards)
case hardened
- all moving parts
lubricated with special grease
- solid moulded plastic handle sleeve
red, oil resistant
- **RoHS compliant**

Accessory

- Clamping bolts → Page 765
- Holders for clamping bolts GN 809
(for type E) → Page 770
- Holders for clamping bolts GN 801
(for type A) → Page 771

Information

Stepped side washers respectively clamping bolt retainers are included.

see also...

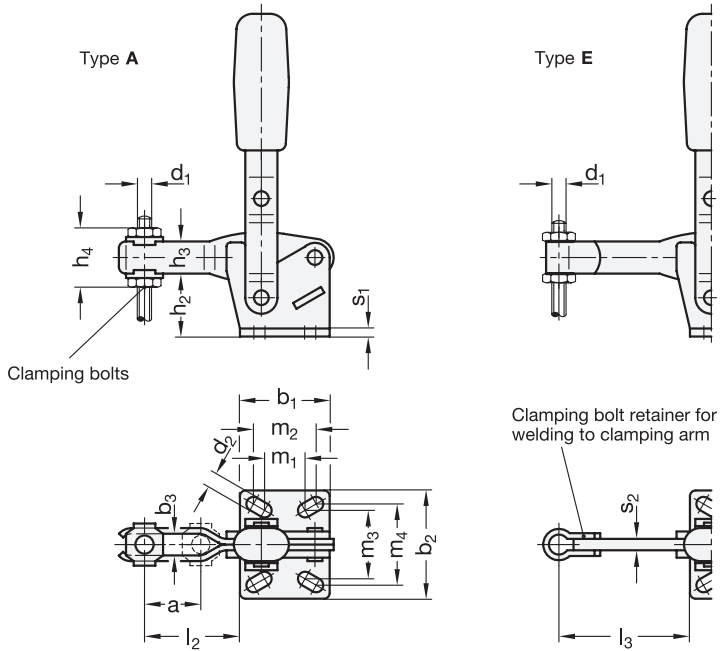
- *General information to toggle clamps* → Page 676
- *Stainless Steel-Vertical clamps GN 810* → Page 680
- *Vertical clamps GN 910 („Longlife“)* → Page 686

How to order

GN810-75-E

1 Size

2 Type



2.1
2.2
2.3
2.4
2.5
2.6
2.7
2.8
2.9
☞



X-ON Electronics

Largest Supplier of Electrical and Electronic Components

Click to view similar products for [Other Tools](#) category:

Click to view products by [Elesa & Ganter](#) manufacturer:

Other Similar products are found below :

[CR-05FL7--150R](#) [CR-05FL7--698K](#) [899-2-KT46](#) [899-5-KT46](#) [CR-0AFL4--332K](#) [CR-12FP4--260R](#) [5718X-01PD-19RO](#) [CRCW04021100FRT7](#)
[CRCW04021961FRT7](#) [5800-0090](#) [CRCW04024021FRT7](#) [CRCW040254R9FRT7](#) [CRCW0603102JRT5](#) [59065-5](#) [00-8273-RDPP](#) [00-8729-WHPP](#)
[593033](#) [593058](#) [593072](#) [593564100](#) [593575](#) [593591](#) [593593](#) [LTI506SBLAMNBL](#) [CRCW08052740FRT1](#) [LUC-012S070DSM](#) [LUC-](#)
[018S070DSP](#) [599-2021-3-NME](#) [599-JJ-2021-03](#) [00-5080-YWPP](#) [5E4750/01-20R0-T/R](#) [LW1A-L1-GD](#) [LW1A-L1-GL](#) [LW1A-P1-GD](#) [LW1L-](#)
[A1C10V-GL](#) [LW1L-M1C70-A](#) [0202-0173](#) [00-9089-RDPP](#) [CRCW2010331JR02](#) [01-1003W-8/32-10](#) [601-GP-08-KT39](#) [601-JJ-06](#) [601-SPB](#)
[601YSY](#) [602-JJ-03](#) [602SPB](#) [602Z](#) [603-JJ-07-FP](#) [603-JJY-04](#) [604J](#)