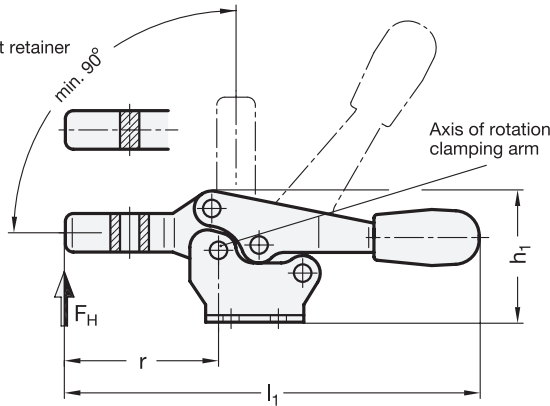


Type **O**
with clamping bolt retainer
for welding



Type **M**
with two stepped
side washers



2 Type

- M** forked clamping arm
- O** solid clamping arm

1

Size	F _H in N Holding force	a ≈	b ₁	b ₂	b ₃	d ₁	d ₂	h ₁ ≈	h ₂	h ₃	h ₄
25*	400	10	24	24,5	4,3	M 4	4,3	23	12	7	15
75	900	20	28	26	5,5	M 5	4,5	37	20	11	22,5
130	1000	32	36	40	6,5	M 6	5,5	51	29	14	27
230	1600	37	44	42	8,5	M 8	6,5	61,5	36,5	18	35
355	3200	58	60	56	10,4	M 10	8,5	83	50	22	43
455	6200	65	70	65	12,4	M 12	8,5	98,5	60	26	53

Size	l ₁ ≈	l ₂ ≈	l ₃ ≈	l ₄ max.	m ₁	m ₂	m ₃	r	s ₁	s ₂
25	68	43	20	-	15	16	4,5	24,5	1,2	-
75	118	67	40	49,5	13,5	17	7,2	43	2	4
130	168	92	53	64	26	26	5	62	2,5	5
230	196	110	63,5	78	26	28,5	9	72	3	6
355	270	161	96	115	41	41	9,5	108,5	3,5	7
455	309	186	116	135	41,5	41,5	14,2	126	4	10

* Size 25 only available as type M.

Specification

- Parts in sheet metal
Case hardening steel C10
zinc plated, blue passivated
- Bearing pins tempered
- Bearing rivets (from size 355 upwards)
case hardened
- all moving parts
lubricated with special grease
- solid moulded plastic handle sleeve
red, oil resistant
- **RoHS compliant**

Accessory

- Clamping bolts → Page 765
- Holders for clamping bolts GN 809
(for type O) → Page 770
- Holders for clamping bolts GN 801
(for type M) → Page 771

Information

A special feature for the horizontal clamp GN 820 is its low profile in clamping position.

They are designed in such a way to avoid the operator's fingers being caught between the retracting clamping arm and the operating handle (safety distance).

Stepped side washers respectively clamping bolt retainers are included.

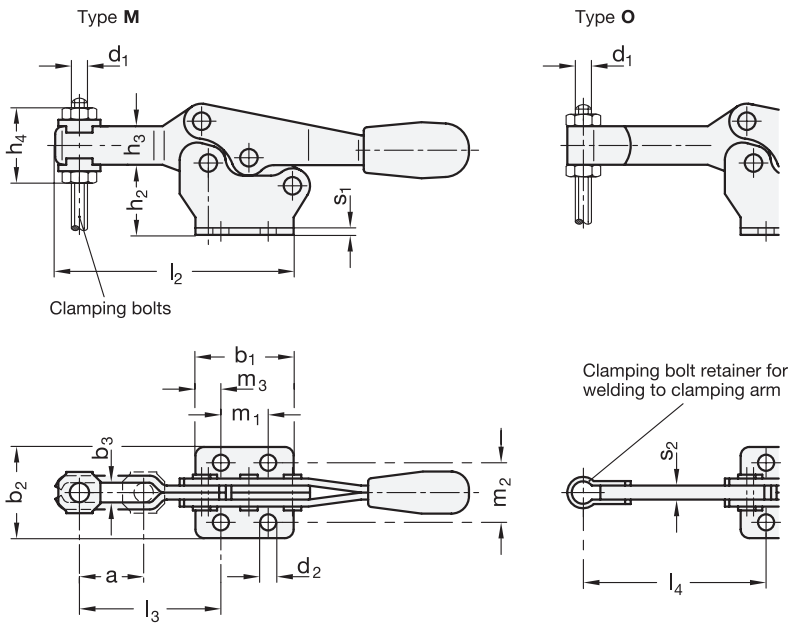
see also...

- *General information to toggle clamps* → Page 676
- *Stainless Steel-Horizontal clamps GN 820* → Page 702
- *Horizontal clamps GN 820.2* → Page 708

How to order

GN820-75-M

- | | |
|---|------|
| 1 | Size |
| 2 | Type |


 2.1
 2.2
 2.3
 2.4
 2.5
 2.6
 2.7
 2.8
 2.9
 —


X-ON Electronics

Largest Supplier of Electrical and Electronic Components

Click to view similar products for [Other Tools](#) category:

Click to view products by [Elesa & Ganter](#) manufacturer:

Other Similar products are found below :

[CR-05FL7--150R](#) [CR-05FL7--698K](#) [899-2-KT46](#) [899-5-KT46](#) [CR-0AFL4--332K](#) [CR-12FP4--260R](#) [5718X-01PD-19RO](#)
[CRCW04021100FRT7](#) [CRCW04021961FRT7](#) [5800-0090](#) [CRCW04024021FRT7](#) [CRCW040254R9FRT7](#) [CRCW0603102JRT5](#) [59065-5](#) [00-8273-RDPP](#) [00-8729-WHPP](#) [593033](#) [593058](#) [593072](#) [593564100](#) [593575](#) [593591](#) [593593](#) [LTI LA506SBLAMNBL](#) [CRCW08052740FRT1](#)
[LUC-012S070DSM](#) [LUC-018S070DSP](#) [599-2021-3-NME](#) [599-JJ-2021-03](#) [00-5080-YWPP](#) [5E4750/01-20R0-T/R](#) [LW1A-L1-GD](#) [LW1A-L1-GL](#) [LW1A-P1-GD](#) [LW1L-A1C10V-GL](#) [LW1L-M1C70-A](#) [0202-0173](#) [00-9089-RDPP](#) [CRCW2010331JR02](#) [01-1003W-8/32-10](#) [601-GP-08-KT39](#) [601-JJ-06](#) [601-SPB](#) [601YSY](#) [602-JJ-03](#) [602SPB](#) [602Z](#) [603-JJ-07-FP](#) [603-JJY-04](#) [604J](#)