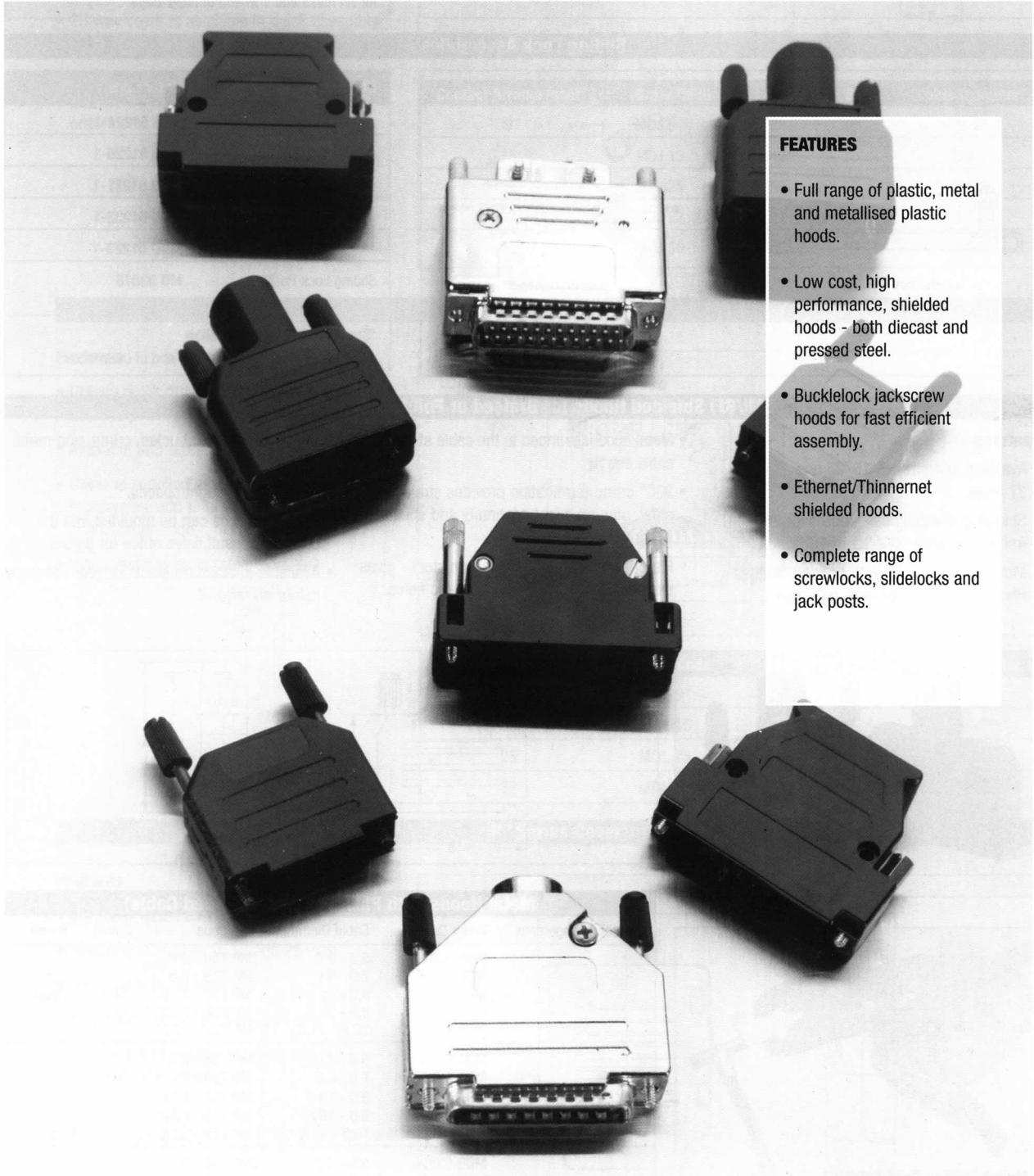


# D ACCESSORIES

Suitable For All McMurdo D  
Sub-miniature Connectors

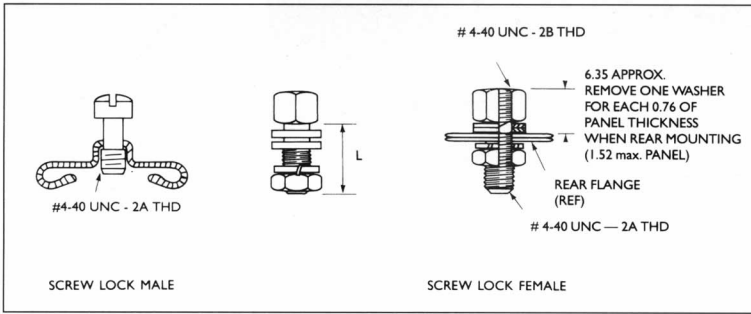


## FEATURES

- Full range of plastic, metal and metallised plastic hoods.
- Low cost, high performance, shielded hoods - both diecast and pressed steel.
- Bucklelock jackscrew hoods for fast efficient assembly.
- Ethernet/Thinnet shielded hoods.
- Complete range of screwlocks, slidlocks and jack posts.

**McMurdo**

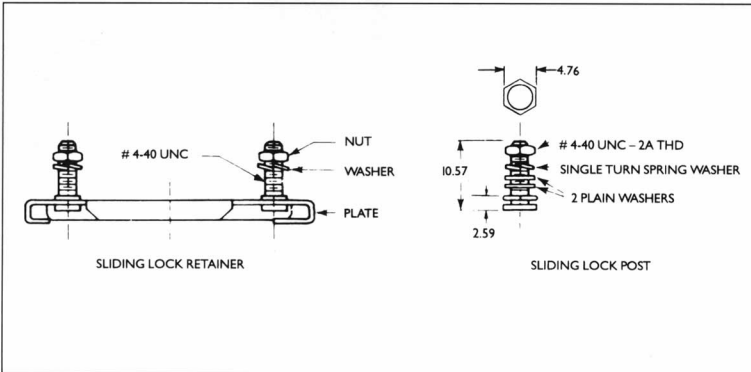
## Screw Lock Assemblies



Order Code	Type	
MD 20419	Male	Fits shell sized 9-37 way
MD 20420	Male	Fits shell size 50 way
MD 20418-2	Female	L = 7.9mm
MD 20418L-2	Female	L = 14.5mm

(All the above are supplied in pairs)  
Standard finish is zinc/yellow chromate, for tin finish add **T** to end of order code.

## Sliding Lock Assemblies



Contact Arrangements	Order Code
9	MDE 51224-1
15	MDA 51220-1
25	MDB 51221-1
37	MDC 51222-1
50	MDD 51223-1
Sliding Lock Post* (supplied in pairs)	MD 53018

\*Standard finish is zinc/yellow chromate, for tin finish add **T** to end of order code.

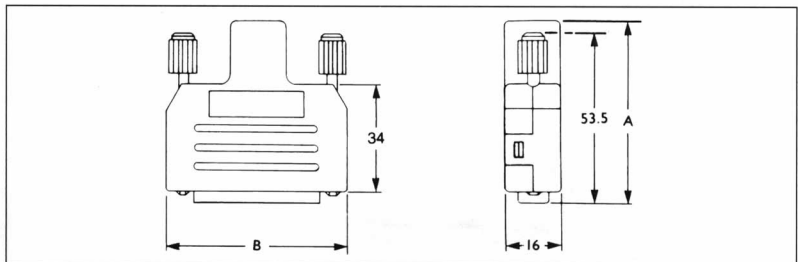
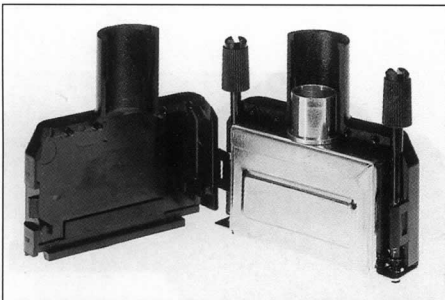
## EMI/RFI Shielded Hoods for Braided or Foil Shielded Cables

### Features

- Available in 4 sizes 9, 15, 25 and 37 ways.
- Shielding effectiveness: 40dB over the frequency range 100MHz to 1GHz.
- Metal ferrule for use with braided cables. Plastic ferrule for use with foil cables.

- Metal hood is crimped to the cable at cable entry.
- 360° crimp termination provides strain relief, plus excellent continuity and shielding integrity.
- Material: zinc plated low carbon steel - gives excellent protection from magnetic fields.

- Suitable for solder bucket, crimp, and metal IDC connectors.
- Compact to fit tight spaces.
- Company logos can be moulded into the covers - consult sales office for details.
- Available in standard black, or your company colour on request.



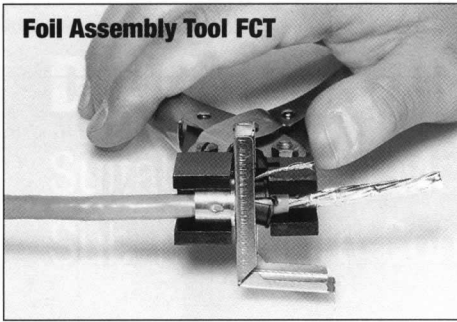
**Hand Crimp Tool MP737**

The hand crimp tool has interchangeable die sets for various sizes of cable, see table for correct die set code.

### Metal Hoods With Plastic Covers (Braided Cable)

Contact Arrangement	Order Code	Cable Diameter	Die Code	A mm	B mm
9	MDE 5.0CK	5.5 - 7.0	MP 738 - 8.0	56.5	35.0
	MDE 6.5CK	7.0 - 8.0	MP 738 - 9.0		
	MDE 7.0CK	8.0 - 10.0	MP 738 - 11.6		
	MDE 7.4CK	9.0 - 10.5	MP 738 - 12.0		
	MDE 8.6CK	10.5 - 11.2	MP 738 - 12.5		
15	MDA 5.0CK	5.5 - 7.0	MP 738 - 8.0	57.5	43.0
	MDA 6.5CK	7.0 - 8.0	MP 738 - 9.0		
	MDA 7.0CK	8.0 - 10.0	MP 738 - 11.6		
	MDA 7.4CK	9.0 - 10.5	MP 738 - 12.0		
	MDA 8.6CK	10.5 - 11.2	MP 738 - 12.5		
25	MDB 5.0CK	5.5 - 7.0	MP 738 - 8.0	57.5	53.0
	MDB 6.5CK	7.0 - 8.0	MP 738 - 9.0		
	MDB 7.0CK	8.0 - 10.0	MP 738 - 11.6		
	MDB 7.4CK	9.0 - 10.5	MP 738 - 12.0		
	MDB 8.6CK	10.5 - 11.2	MP 738 - 12.5		
37	MDC 5.0CK	5.5 - 7.0	MP 738 - 8.0	57.5	74.0
	MDC 6.5CK	7.0 - 8.0	MP 738 - 9.0		
	MDC 7.0CK	8.0 - 10.0	MP 738 - 11.6		
	MDC 7.4CK	9.0 - 10.5	MP 738 - 12.0		
	MDC 8.6CK	10.5 - 11.2	MP 738 - 12.5		

### Foil Assembly Tool FCT



### Metal Hoods With Plastic Covers (Foil Shielded Cable)

Contact Arrangement	Order Code	Cable Diameter	Assembly Tool	A mm	B mm
9	MDFE TELCK	3.0 - 5.0	No tool required	56.5	35.0
	MDFE 7NCK	6.5 - 7.5			
	MDFE 8.6CK	4.0 - 8.6	FCT	56.5	35.0
15	MDFA TELCK	3.0 - 5.0	No tool required	57.5	43.0
	MDFA 7NCK	6.5 - 7.5			
	MDFA 8.6CK	4.0 - 8.6	FCT	57.5	43.0
25	MDFB TELCK	3.0 - 5.0	No tool required	57.5	53.0
	MDFB 7NCK	6.5 - 7.5			
	MDFB 8.6CK	4.0 - 8.6	FCT	57.5	53.0
37	MDFC TELCK	3.0 - 5.0	No tool required	57.5	74.0
	MDFC 7NCK	6.5 - 7.5			
	MDFC 8.6CK	4.0 - 8.6	FCT	57.5	74.0

### Screened Hoods for Ethernet & Thinnernet

#### Features

- Fast easy assembly with security.
- Cable screens separated by PES ferrule.
- Simple termination of metal hood to D-type connector.
- Plastic cover has threaded metal inserts for

slidelock assembly screws and secure cable sheath clamping.

- Plastic covers supplied in your company colour on request.
- Your company logo can be moulded in - consult sales office for details.

• Plastic slidelock covers essential for installation to IEEE 802.3.

- McMurdo hoods are fully tested and approved to IEEE 802.3 and form part of the safety ground.



Top-entry and side-entry hoods with slidelock accessories fitted.

All hoods available with Jackscrew covers to special order.

#### Ethernet Hoods with Slidelock Assembly

Colour	Entry	Order Code	Assembly Tool	For Cable
Black*	Top	MDATR11.7SLCK	DTCT - 12.5	Belden 9901 or similar class 2 or IEEE 802.3 mini transceiver cable
	Side	MDASR 11.7SLCK		diameter 10-11mm

#### Thinnernet Hoods with Slidelock Assembly

Colour	Entry	Order Code	Assembly Tool	For Cable
Black*	Top	MDATR8.1SLCK	DTCT - 9.0	Belden 9903 or similar class 2 or IEEE 802.3 mini transceiver cable
	Side	MDASR8.ISLCK		diameter 6.0-7.7mm

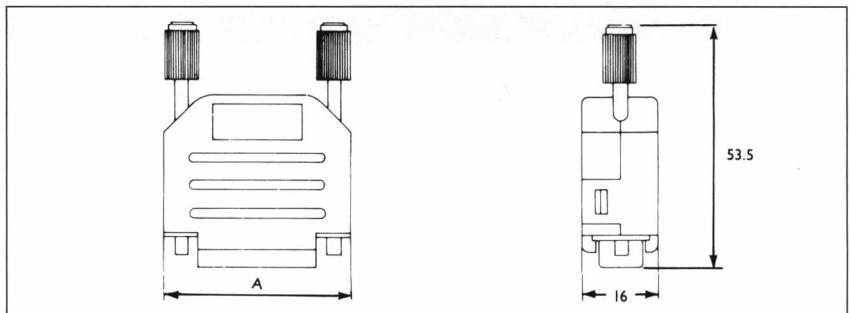
\* Contact sales office for alternative colour details.

### Buckle Lock Jackscrew Plastic Cover



#### Features

- Available in 4 sizes: 9, 15, 25 and 37 ways.
- Quick assembly - cover snaps firmly together.
- Compact to fit tight spaces.
- Easy to use long jackscrews.
- Material: thermoplastic rated UL94 V-2.
- Available in your company colour on request.
- Company logos can be moulded into the covers - consult sales office for details.



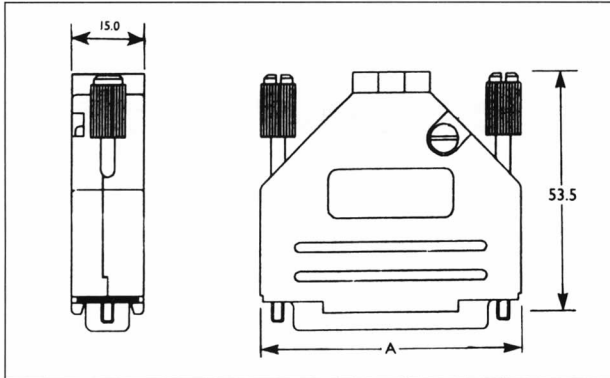
Contact Arrangement	Order Code	Max. Cable Dia.	A mm
9	MDPC 9	5	35.0
15	MDPC 15	7	41.0
25	MDPC 25	7	54.5
37	MDPC 37	8	70.0

Standard colour is black - A large selection of colours is available.  
Contact the sales office for further details.

## Die Cast Shielded

### Features

- 360° cable entry screening ensures maximum shielding integrity.
- Accepts both foil and braided cables.
- For use with cable sizes from 4.0 to 12.5mm diameter.
- Unique design allows very fast assembly.
- Lightweight.
- Low cost.
- Stackable.
- Conforms to all relevant European shielding standards when used as part of an approved system.



### Zinc Plated Versions

Contact Arrangement	Order Code	A mm
9	MDZE9	32.4
15	MDZA15	39.5
25	MDZB25	54.8
37	MDZC37	70.9

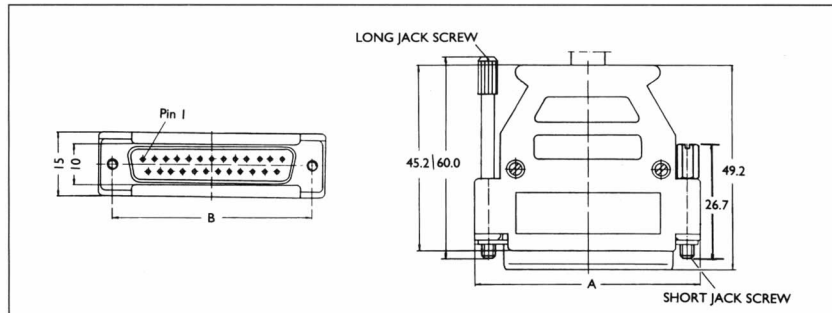
### Black Version

Contact Arrangement	Order Code	A mm
9	MDZE9MB	32.4
15	MDZA15MB	39.5
25	MDZB25MB	54.8
37	MDZC37MB	70.9

## Jack Screw "M" Series Cover

### Features

- Available in 4 sizes; 9, 15, 25 and 37.
- Long and short slotted jack screws.
- Top cable entry for use with long jackscrews.
- Top or two side entries for use with short jack screws.
- Material: Black thermoplastic rated UL94 V-0.
- For screening applications a metallised version is available - add **M** to the end of order code.



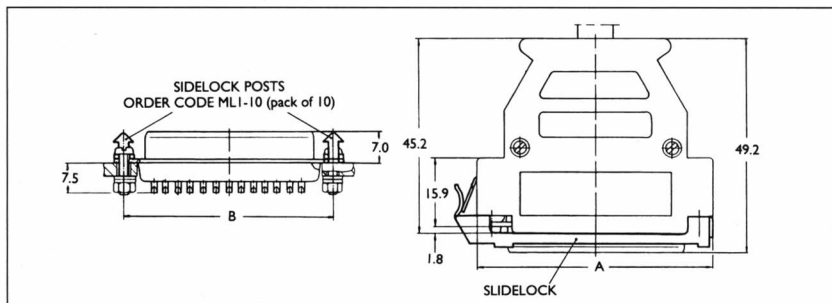
Contact Arrangement	Order Codes		Dimensions		Cable Diameter
	Short Screw	Long Screw	A	B	
*9	MDM9S	MDM9L	31.0	25.0	6.5
15	MDM15S	MDM15L	40.0	33.0	6.5
25	MDM25S	MDM25L	53.5	47.0	10
37	MDM37S	MDM37L	70.0	64.0	10

\*Top Entry Only

## Sliding Lock "M" Series Cover

### Features

- Available in 4 sizes: 9, 15, 25 and 37.
- Sliding lock system features a push home to lock/press to release system.
- Stable mating assured by 4 point locking.
- Available without lock system.
- Top or two side entries.
- Material: Black thermoplastic rated UL94 V-0.
- Latches required on mating connector (supplied in pairs)  
Order Codes: (9-37 way) **MLI-10**
- For screening applications a metallised version is available - add **M** to the end of order code.



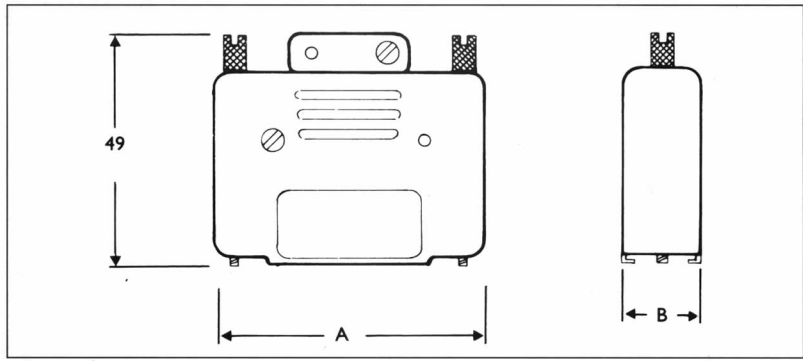
Contact Arrangement	Order Codes		Dimensions		Cable Diameter
	With Locking	Without Locking	A	B	
*9	MDM9SL	MDM9	31.0	25.0	6.5
15	MDM15SL	MDM15	40.0	33.0	6.5
25	MDM25SL	MDM25	53.5	47.0	10
37	MDM375SL	MDM37	70.0	64.0	10

\*Top Entry Only

## "J" Series Cover

### Features

- Available in 5 sizes; 9, 15, 25, 37 and 50 way.
- Easy to grip captive jackscrews.
- Unique design gives valuable extra space for wiring.
- Line-to-line coupling using coupler blocks. Order code: **MCB** - (2 required).
- 25 way cover is available in quick assembly snap together version - order code **MDJ25Q**.
- For screening applications a metallised version is available - add **M** to the end of order code.

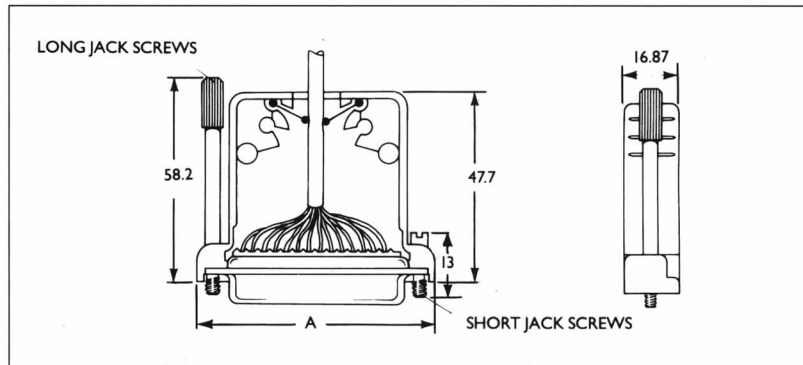


Contact Arrangement	Order Code	A	B	Cable Diameter
9	MDJ 9	33	16	3-9
15	MDJ 15	42	16	3-11
25	MDJ 25	55	16	3-11
37	MDJ 37	71	16	3-11
50	MDJ 50	69	19	3-11

## "L" Series Cover

### Features

- Unique quick fitting of cable for fast assembly.
- Available in 3 sizes; 9, 15, 25 ways.
- Cover is supplied with either long or short jackscrews, add **L** for long or **S** for short to end of order code.
- Black thermoplastic rated UL94 V-0.

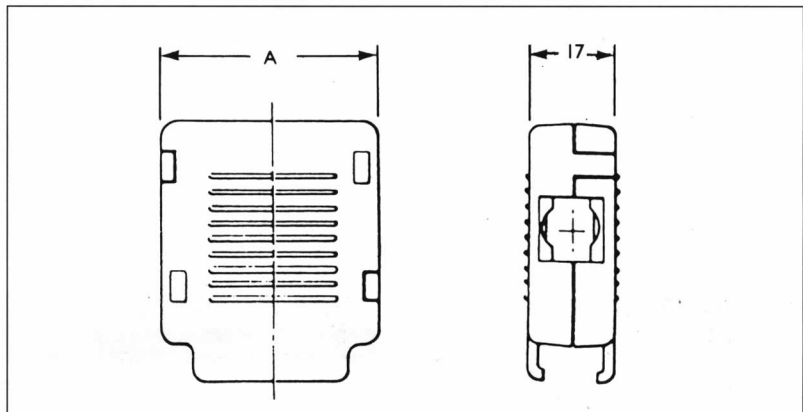


Contact Arrangement	Order Code	A	Cable Diameter
9	MDL 9	34.8	3-7
15	MDL 15	42.4	3-12
25	MDL 25	56.3	3-12
37	MDL 37	72.6	3-12

## "P" Series Cover

### Features

- Low cost, quick assembly cover.
- Available in 3 sizes, 9, 15 and 25 way.
- Top or side cable entry.
- Black thermoplastic rated UL94 V-0.
- Supplied with internal tie-wrap and external cable clamp.

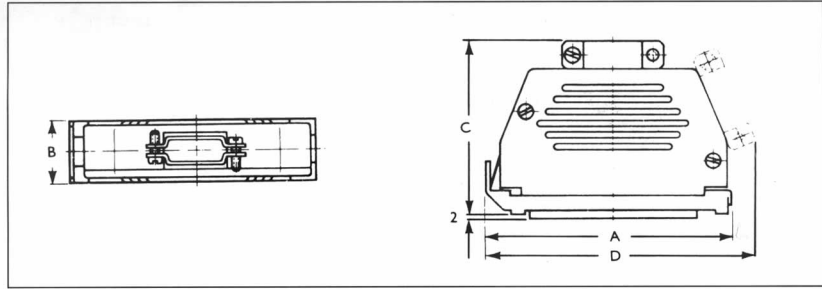


Contact Arrangement	Order Code	A	Cable Diameter
9	MDEP 51009-5	18.8	3.5 - 9.25
15	MDAP 51015-5	27.0	3.5 - 9.25
25	MDBP 51025-5	41.0	3.5 - 9.25

## Slidlock "N" Series Cover

### Features

- Available in 5 sizes; 9, 15, 25, 37 and 50 way.
- Slidlock system features a push home to lock/press to release system.
- Stable mating assured by 4 point locking.
- Available without lock system.
- Top or side cable entry.
- Material: Black thermoplastic rated UL94 V-0.
- Latches required on mating connector (supplied in pairs)  
Order Codes: (9-37 way) **ML1**  
(50 way) **ML2**
- For screening applications a metallised version is available - add **M** to the end of order code.

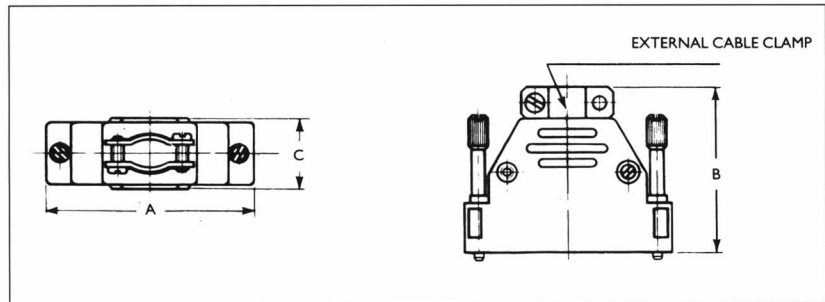


Contact Arrangement	Order Codes		Dimensions				Cable Diameter
	With Locking	Without Locking	A	B	C	D	
9	MDN 9SL	MDN 9	37	15	34	43	4-6
15	MDN 15SL	MDN 15	45	15	40	53	5-7
25	MDN 25SL	MDN 25	60	15	44	68	6-8
37	MDN 37SL	MDN 37	77	15	52	84	5-7
50	MDN 50SL	MDN 50	74	18	52	81	5-10

## Jackscrew "N" Series Cover

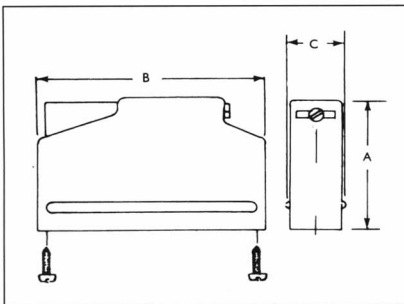
### Features

- Available in 5 sizes; 9, 15, 25, 37 and 50 way.
- Long jackscrews for finger or screwdriver operation.
- Top cable entry.
- Material: Black thermoplastic rated UL94 V-0.
- For screening applications a metallised version is available - add **M** to the end of order code.



Contact Arrangement	Order Code	A	B	C
9	MDN 9S	31.5	30.5	18.2
15	MDN 15S	42.0	38.0	18.5
25	MDN 25S	55.5	44.0	18.2
37	MDN 37S	72.0	46.0	18.2
50	MDN 50S	67.0	46.0	21.5

## Plastic Junction Shells



Order Codes			A	B	C
Side Entry With Clamp	Top Entry With Clamp	Contact Arrangement			
MDE 51219-1	MDE 51218-1	9	25.4	30.9	14.3
MDA 51211-1	MDA 51210-1	15	25.4	39.3	14.3
MDB 51213-1	MDB 51212-1	25	31.7	53.2	14.3
MDC 51215-1	MDC 51214-1	37	38.1	69.4	14.3
MDD 51217-1	MDD 51216-1	50	38.1	67.1	17.0

# McMurdo

## X-ON Electronics

Largest Supplier of Electrical and Electronic Components

*Click to view similar products for [itw switches manufacturer](#):*

Other Similar products are found below :

[MP648-16\(50\)](#) [SDBS25PN](#) [48M-111B](#) [76-959034](#) [181541B](#) [MDJ15](#) [DA15POLF](#) [48M-111G](#) [22-204](#) [DC37PF](#) [DB25SNF](#) [DB25SF](#) [76-9510/4044](#) [65-301000](#) [49-59115](#) [40-2-5](#) [76-9513/4044G](#) [76-9113/439088](#) [SDAX15SNT](#) [SDD50PTD](#) [H48M-213B/4044](#) [59-900091](#) [48M210N](#) [ES1020](#) [SDB25PNTD](#) [DE9SNF](#) [DAC15P](#) [49-59121](#) [H48M-112B/4044](#) [57-112R](#) [HDAX26SNT](#) [76-9112/439088](#) [48-1-RB-G-BK-B](#) [76-9440/439088N](#) [48M112R](#) [H48M-112G/4044](#) [57M110N](#) [40-2-10](#) [H48M-212B/4044](#) [76-9116/439088](#) [DE9PF](#) [57M-211B](#) [H48M-212R/4044](#) [4959213](#) [48M110N](#) [1640401](#) [76-9711/439088R](#) [76-9440/439088B](#) [48-1-RB-R-BK-B](#) [76-1266](#)