

→ Ready to use SSR for resistive Applications - 22.5mm

- GN Triac technology ready to use
- No heatsink calculation required
- Epoxy-free design
- Relay and contactor configuration
- Internal transient protection by TVS
- UL/cUL recognized, CSA and TUV approved
- CE certified
- EMC compliance level 3
- Non RC snubber filter
- Rated current at 40°C ambient temperature



Part numbers

Type	Current (A)	Output voltage	Input voltage	Output	Switching	Code
22.5	10	24-280 V AC	4-32 V DC	Relay	Zero	GNR 10DHZ
	10	24-280 V AC	4-32 V DC	Contacteur	Zero	GNR 10DCZ
	10	24-280 V AC	90-140 V AC/DC	Relay	Zero	GNR 10BHZ
	10	24-280 V AC	90-140 V AC	Contacteur	Zero	GNR 10BCZ
	10	24-280 V AC	180-280 V AC	Relay	Zero	GNR 10AHZ
	10	24-280 V AC	180-280 V AC	Contacteur	Zero	GNR 10ACZ

Caractéristiques des sorties

Voltage range (Vrms max)	24-280
Non-rep. peak voltage (Vpeak)	550
Maximum off-state leakage at Vmax and T = 25 °C (µeff per phase)	14
Current max @ 25°C (A)	12
Current max @ 40°C (A)	10
Minimum current (mArms)	100
On-state voltage drop at I max (Vpeak)	1.2
I ² t (t = 10 ms) (A ² s) (50 - 60 Hz)	340 - 280
Static dv/dt (V/µs)	500
Utilisation category AC 51 (A)	10
Max. non-rep. 1-cycle surge (T=25 °C) (A)	30
Max. non-rep. 1 s surge (T=25 °C) (A)	100
Rth junction / ambient air (°C/W)	5.4

Caractéristiques des entrées

Input voltage	4-32 VDC	90-140 VAC	180-280 VAC
Turn-off voltage (V)	1	10	10
Max. controlled current (mA)	10	6	8
Min turn-on current (mA)	8	5	6
Turn-on time (ms) (zero voltage relay)	8.33 (60Hz) - 10 (50Hz)	20	20
Response time on closing (ms)	8.33 (60Hz) - 10 (50Hz)	30	30

General characteristics

General characteristics

Operating temperature (°C)	-20 → +80 -20 → +60 (90-140 VAC)
Storage temperature (°C)	-40 → +100
Input to ground isolation (V _{rms})	2800
Input/output to ground isolation (V _{rms})	2500
Frequency (Hz)	47 → 63
Material housing	UL-94V0 Self Extinguishing
Heatsink material	Anodized Aluminum
Protection (IEC 60529) - Casing	IP 20
Weight (g)	200
Altitude for nominal performance (/sea level)	2000 m
Input terminal capacity (stranded and solid wire)	16 AWG → 24 AWG
Min. output terminal capacity (IEC 941-1)	16 AWG
Max. output terminal capacity (IEC 941-1) stranded wire	8 AWG
Max. output terminal capacity (IEC 941-1) solid wire	10 AWG
Maximum cross section for output wire (mm ²)	10

Safety standards

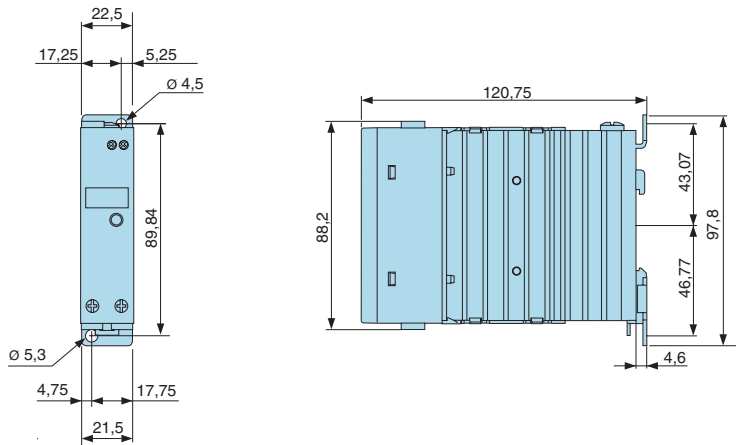
Conformity to standards	IEC 62314 CE compliant with LVD 73/23/EEC TUV certified per EN 60950 UL recognized per UL 508 CSA recognized per C22.2 no 14-95
Vibrations according to IEC/EN60068-2-6	35 mm / 10-55 Hz
Shock test IEC 60068-2-27	15 G / 11 ms
Immunity to electrostatic discharges acc. IEC/EN 61000-4-2	Level 3
Immunity to electrostatic fields acc. ENV 50140/204 (IEC 1000-4-3)	Level 3
Immunity to rapid transient bursts acc. to IEC 1000-4-4	Level 3
Immunity to shock waves according to IEC/EN 61000-4-5	Level 3
Immunity to radio frequency in common mode acc. to ENV (CEI 1000-4-6)	Level 3
Conducted and radiated noise for industrial environments per CISPR 11	Class A
Pollution	Degree 2
Overvoltage	Category III

Comments

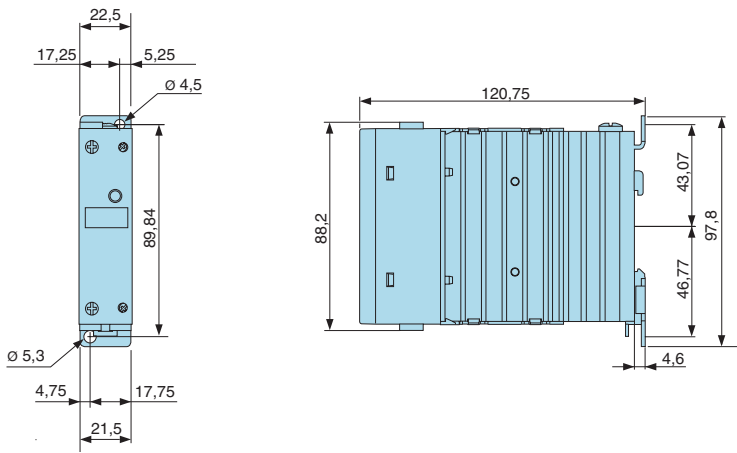
For multiple unit configuration consult Technical Notes
LED is not absolute indicator of power being present

Dimensions

GNR 22.5 mm relay termination



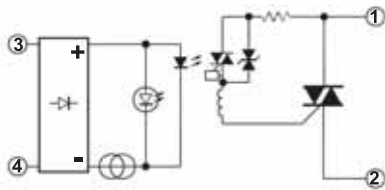
GNR 22.5 mm contacteur termination



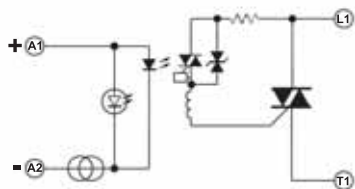
1

Connections

Entrée AC

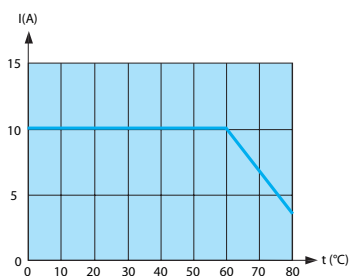


Entrée DC

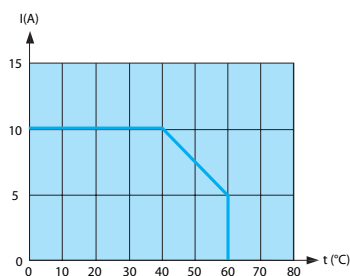


Curves

GNR 10B - GNR 10D



GNR 10A



3

X-ON Electronics

Largest Supplier of Electrical and Electronic Components

Click to view similar products for [Industrial Relays](#) category:

Click to view products by [Crouzet](#) manufacturer:

Other Similar products are found below :

[6-1618400-7](#) [686-117111](#) [686-120111](#) [EV250-4A-02](#) [EV250-6A-01](#) [FCA-125-CX8](#) [FCA-410-138](#) [8-1618393-1](#) [GCA32A208VAC60HZ](#)
[GCA32A220VAC50/60HZ](#) [GCA32A230VAC50/60HZ](#) [GCA32A240VAC50/60HZ](#) [GCA32A48VAC60HZ](#) [GCA63A120VAC50/60HZ](#)
[GCA63A208VAC60HZ](#) [GCA63A220VAC60HZ](#) [GCA63A230VAC50/60HZ](#) [GCA63A240VAC50/60HZ](#) [GCA63A277VAC60HZ](#)
[GCA63A48VAC60HZ](#) [GCA63A500VAC50/60HZ](#) [GCA63A600VAC60HZ](#) [GCA800A200VACDC](#) [GCA95A110VAC50/60HZ](#)
[GCA95A120VAC50/60HZ](#) [GCA95A12VDC](#) [GCA95A240VAC50/60HZ](#) [GCA95A24VAC50/60HZ](#) [GCA95A48VAC60HZ](#) [ACC530U20](#)
[ACC730U30](#) [1395832-1](#) [RM699BV-3011-85-1005](#) [RMIA210230AC](#) [RMIA45024AC](#) [1423675-8](#) [B07B032AC1-0329](#) [B329](#) [1617807-1](#)
[N417](#) [P25-E5019-1](#) [P30C42A12D1-120](#) [2-1618398-1](#) [PBO-18A1218](#) [2307497](#) [RPYA00324LT](#) [RPYA003A120LT](#) [KR-4539-1](#)
[RT334012WG](#) [S160156115](#)