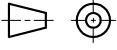
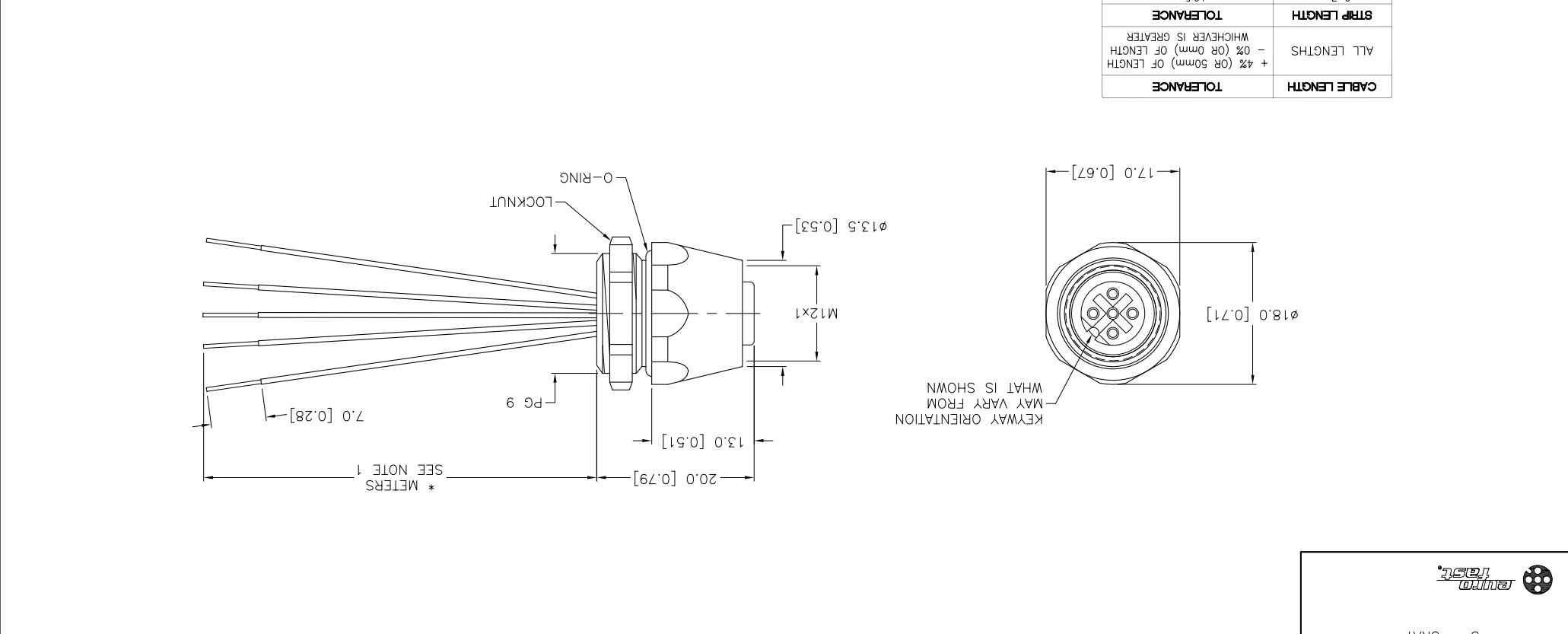


REV	DESCRIPTION	BY	DATE	ECO NO.
C	UPDATE DRAWING SPECIFICATION, ADD END VIEW, SEE ECO	RWC	01/03/11	33860
FINISH SEE SPECIFICATIONS MATERIAL SEE SPECIFICATIONS RELATED DOCUMENTS 1. 2. 3. 4.				
ALL DIMENSIONS DISPLAYED ON THIS DRAWING ARE FOR REFERENCE ONLY CONTACT TURCK FOR MORE INFORMATION		DRAFT JBU DATE 02/08/01 SCALE 1=.8 UNIT OF MEASUREMENT MILLIMETER [INCH] DO NOT SCALE THIS DRAWING FILE: 77700189 SHEET 1 OF 1		
THIS DRAWING IS PROPERTY OF TURCK INC. USE OF THIS DOCUMENT WITHOUT WRITTEN PERMISSION IS PROHIBITED. DRFT JBU DATE 02/08/01 SCALE 1=.8 UNIT OF MEASUREMENT MILLIMETER [INCH] DO NOT SCALE THIS DRAWING FILE: 77700189 SHEET 1 OF 1		3RD ANGLE PROJECTION 		

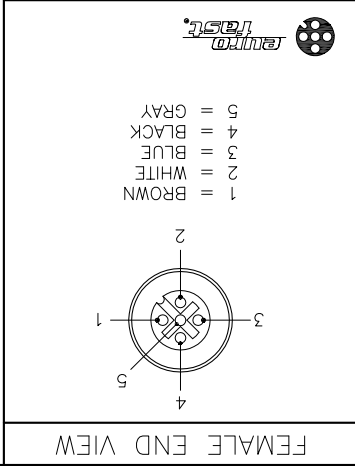
NOTES:
 1. "*" INDICATES LEAD LENGTH IN METERS, CONTACT TURCK TO ORDER SPECIFIC LENGTHS.

CABLE LENGTH	TOLERANCE	STRIP LENGTH	TOLERANCE
ALL LENGTHS	+ 4% (OR 50mm) OF LENGTH - 0% (OR 0mm) OF LENGTH WHICHEVER IS GREATER	0-7mm	±0.5mm
		8-29mm	±1.0mm
		30-49mm	±2.0mm
		50-69mm	±3.0mm
		70-100mm	±4.0mm
		OVER 100mm	±5.0mm

SOURCE DRAWING - FOR REFERENCE ONLY



SPECIFICATIONS	
CONTACT CARRIER MATERIAL	NYLON or TPU
CONTACT MATERIAL/PLATING	BRASS/GOLD
HOUSING, LOCKNUT MATERIAL/PLATING	BRASS/NICKEL
O-RING MATERIAL	NITRILE
RATED CURRENT [A]	4.0 A
RATED VOLTAGE [V]	250 V
CONDUCTOR INSULATION MATERIAL	PVC
NUMBER OF CONDUCTORS [AWG]	5x22 AWG
TEMPERATURE RATING	-40°C to +105°C (-40°F to +221°F)
PROTECTION CLASS	MEETS NEMA 1,3,4,6P AND IEC IP68



X-ON Electronics

Largest Supplier of Electrical and Electronic Components

Click to view similar products for [turck](#) manufacturer:

Other Similar products are found below :

[NI12U-M18-AN4X](#) [B 5143-0](#) [BMWS 8151-0/9](#) [BI30U-CK40-AP6X2-H1141](#) [NI12U-M18-AP6X-H1141](#) [NI4U-EG08-AN6X-H1341](#) [BS 4151-0/9](#) [NI5-G12-AP6X-H1141](#) [NI14-G18-ADZ30X2](#) [FEN20-4DIP-4DXP-DIN](#) [BC10-QF5.5-RN6X2](#) [PKG 3M-4/S90](#) [FCS-N1/2A4P-AP8X-H1141](#) [FKFD 4.5](#) [NI3-EG08K-Y1-H1341](#) [RI360P0-QR24M0-INCRX2-H1181](#) [BCF5-S18-RP4X/S90](#) [BI5-M18-Y0X-H1141](#) [NI35U-CK40-ADZ30X2-B3131 W/BS4](#) [WK 4T-2](#) [IM1-22EX-T](#) [RK 4T-10](#) [BI 2-EG08K-AP6X-V1131](#) [BI1.5-EG08-AP6X-H1341](#) [BC 5-Q08-AP6X2-V1131](#) [BC5-S18-Y1X](#) [CT 2-A30/M](#) [C10-T13X/024VDC](#) [FDN20-4S-4XSG-E](#) [FKV-CC](#) [FSFD 8](#) [CMBS 8141-0](#) [BI10-M30-AN6X-H1141](#) [CMB 8151-0](#) [WK 4.5T-2/S618](#) [FKFD 8](#) [NI4U-EG08-RP6X-V1131](#) [PKW 3M-6](#) [BI8U-M18-AP6X-H1141](#) [FS 4.5-0.5/14.5/NPT](#) [NI30U-M30-AP6X](#) [BS 5141-0](#) [BS 8141-0/LABEL*](#) [RS 4.5T-2](#) [RK 4T-6](#) [BI2-G12-AN6X-H1141](#) [RK 4.5T-6](#) [FSV 4.4-0.5](#) [PKG 3M-1-PSG 3](#)
[PKG 3M-4/S90/S101](#)