

CONTROL STATIONS

89 Series Terminal Block Junction Box

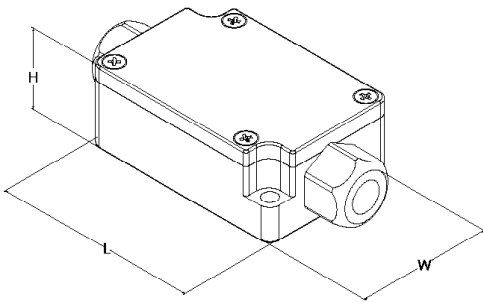
- Integrated junction box consisting of cable glands and a terminal block
- IP65 rated
- Available in 3, 4 and 6 poles
- Supplied with 2 pcs each of 5Ø and 7.4Ø rubber cable bushes
- Available in light grey and black
- Suitable for industrial applications, power cable joints, wiring for motors or sensors

SPECIFICATION	
Rated voltage	250V
Rated current	15A
Applicable Wire	1.25mm ²
Standard tightening torque	0.5N
Operating temperature	-20°C to +75°C
Material:	
Cover, base & cable cap	PBT (UL94-V0)
Rubber bush	EPDM
Gasket	Polyurethane
Conductive plate	Brass
Terminal screw	Steel M3
Cover screw	Stainless steel M3

TAKACHI



BLACK	GREY	LENGTH	WIDTH	HEIGHT	DESCRIPTION
TMC-3PB	TMC-3PG	24mm	65mm	33mm	3 Pole
TMC-4PB	TMC-4PG	24mm	60mm	40mm	4 Pole
TMC-6PB	TMC-6PG	24mm	70mm	50mm	6 Pole



UNIVERSAL ENCLOSURES

HAND HELD CASES

HEAVY DUTY ENCLOSURES

DIN RAIL BOXES

INTERFACE SUPPORTS

CONTROL STATIONS

DIECAST & METAL BOXES

DESKTOP & INSTRUMENT CASES

POTTING BOXES

19" ENCLOSURES

19" CABINETS

DEVELOPMENT BOARD ENCLOSURES

CUSTOM SIZED ENCLOSURES

CUSTOM SERVICES



+44 (0)1638 716101
 info@camdenboss.com
 www.camdenboss.com

We operate a constant improvement policy, our products are subject to change without notice.

Ver 1.0 Iss 1

CAMDENBOSS
 ELECTRONICS & ENCLOSURES

X-ON Electronics

Largest Supplier of Electrical and Electronic Components

Click to view similar products for [takachi](#) manufacturer:

Other Similar products are found below :

[AWC11-15](#) [TWF13-3-13W](#) [LC115-N-W](#) [LC135H-N-D](#) [CS90-B](#) [CS115N-B](#) [CS90-W](#) [LC115-F2-D](#) [PF15-3-10W](#) [PF20-4-13D](#) [TWF7-4-11W](#) [CSPB-115](#) [LCSC115H-N](#) [PF10-6-15D](#) [PF13-3-19W](#) [PF13-4-9D](#) [PF24-4-24W](#) [PFF18-4-12W](#) [TMC-4PG](#) [LC165H-N-D](#) [TWN11-5-22W](#) [WP8-10-2G](#) [PF20-6-13D](#) [AWN16-9-18EBB](#) [AWSP16-9B](#) [TWF11-8-22W](#) [CSSC90-OP-C](#) [TWF7-2-11D](#) [HIT23-7-18SS](#) [WP11-15-3C](#) [CSPB-90](#) [LC145-M2-D](#) [LC145S-F6-D](#) [LCSC145H-Y](#) [LCSC145S-B](#) [PF13-3-13D](#) [PS-50B](#) [WC72-15-N-BM](#) [WC90-15-C-BM](#) [WCPB-72](#) [WH125-20-N-BR](#) [WP6-8-2G](#) [WP8-8-2G](#) [PFF-M2.5D](#) [TWN4-2-8W](#) [LC165H-M4-D](#) [LC165-M4-D](#) [PF15-3-15D](#) [PF20-6-13W](#) [WP11-15-3G](#)