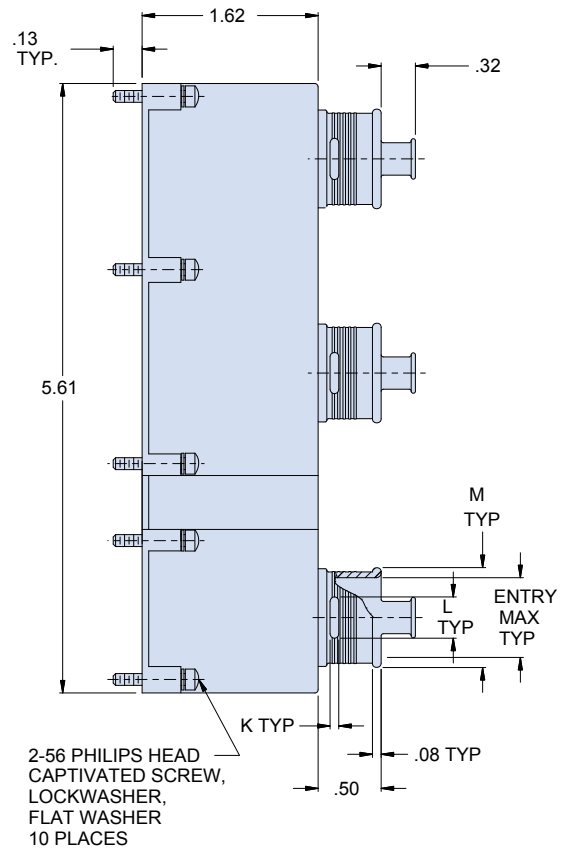
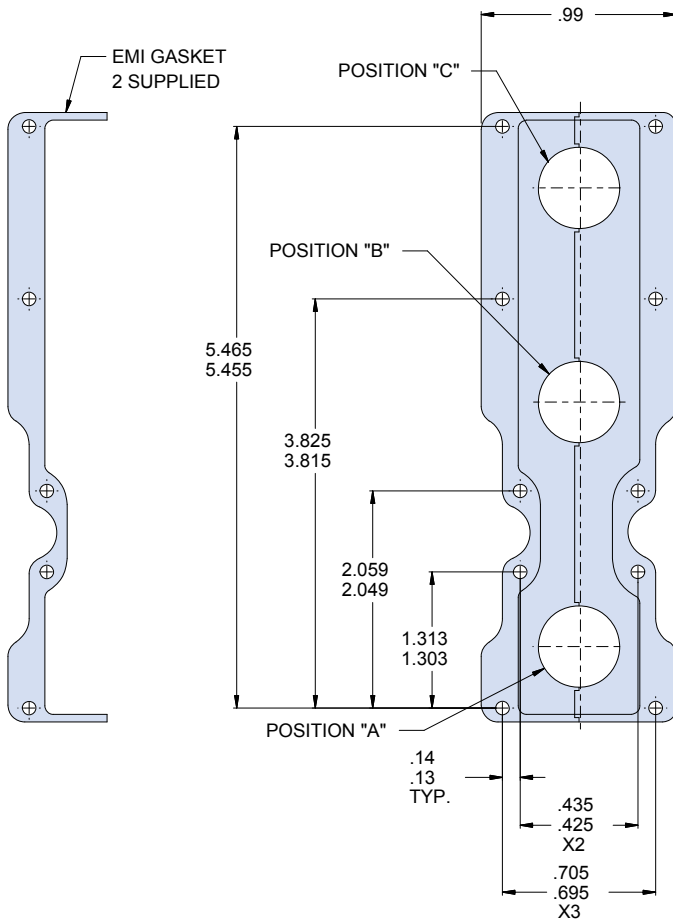
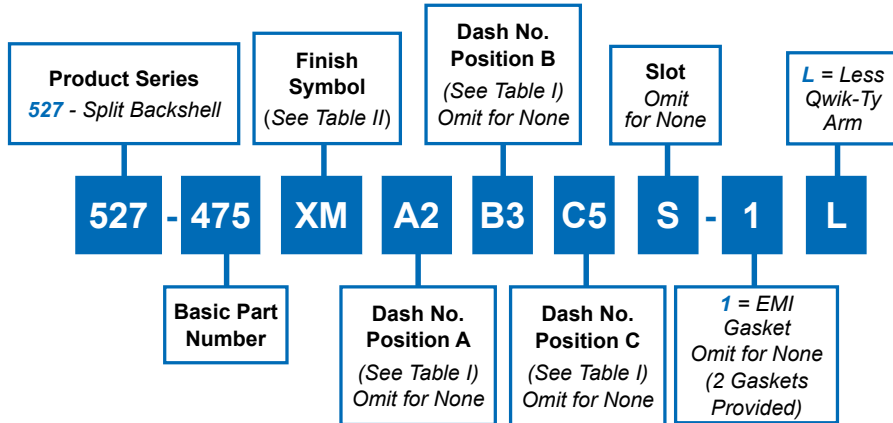




**527-475**  
**RFI/EMI Composite Split Backshell Assembly**  
 for Size 1 ARINC 600 Series Connector

**A**



527-475  
**RFI/EMI Composite Split Backshell Assembly**  
 for Size 1 ARINC 600 Series Connector



ARINC 600 Series connector backshells are designed to replace the insert retainer plates. Due to non-standard modifications by the connector manufacturer, the backshell may require special design alterations to mate properly. The following should be used to determine if a backshell modification is required. Prior to ordering, consult a factory with connector part numbers not shown to ensure a proper fit:

**CONNECTOR DESIGNATOR:**

<b>P</b>	All manufacturers' plug and receptacle shells except for those listed below (prior to ordering, consult factory with connector part numbers not listed below to ensure a proper fit):
<b>P1</b>	Cannon BKAD****322 Series Plug
<b>P2</b>	Cannon/Radiall Environmental Plug
<b>P3</b>	Cannon/Boeing BACC66 Plug
<b>P5</b>	Radiall/Boeing BACC66 Plug
<b>P6</b>	Cannon BKAC & BKAE****322 Series Environmental Plug

**TABLE I: Dash Number & Dimensions**

Dash No.	Entry Dia	K Dim	L Dim	M Max
2	.250 (6.35)	.080 (2.03)	.220 (5.59)	.475 (12.07)
3	.380 (9.65)	.080 (2.03)	.280 (7.11)	.605 (15.37)
4	.500 (12.7)	.080 (2.03)	.330 (8.38)	.725 (18.42)
5	.630 (16.00)	.080 (2.03)	.420 (10.67)	.855 (21.72)
6	.750 (19.05)	.080 (2.03)	.500 (12.70)	.975 (24.77)
7	.870 (22.10)	.080 (2.03)	.560 (14.22)	1.095 (27.81)

**TABLE II: FINISH**

Symbol	Finish Description
XM	2000 Hour Corrosion Resistant Electroless Nickel
XB	No Plating, Black
XMT	2000 Hour Corrosion Resistant Ni-PTFE, Nickel-Fluorocarbon Polymer. 1000 Hour Grey™
XW	2000 Hour Corrosion Resistant Cadmium/Olive Drab over Electroless Nickel

**APPLICATION NOTES**

- |  |   |
|--|---|
| <ol style="list-style-type: none"> <li>Assembly identified with manufacturer's name and P/N, space permitting.</li> <li>Material/Finish:<br/>Backshell - High grade engineering thermoplastic/See Table II.<br/>Gasket - Metex/N.A<br/>Hardware - CRES/Passivate.</li> </ol> | <ol style="list-style-type: none"> <li>Existing insert retainer in conjunction with supplied screws.</li> <li>Metric dimensions (mm) are indicated in parentheses.</li> </ol> |
|--|---|

## X-ON Electronics

Largest Supplier of Electrical and Electronic Components

*Click to view similar products for [Rack & Panel Connectors](#) category:*

*Click to view products by [Glenair](#) manufacturer:*

Other Similar products are found below :

[00170420102](#) [00171420202](#) [00171440002](#) [008026165000265](#) [00-8219-072-000-112P44](#) [008219072000112P5](#) [008219072000112P61](#) [00-8223-096-580-102](#) [02-014-013-5200-000](#) [00-8129-015-610-108](#) [613467-000](#) [CTJ112E01E-513](#) [CTJ116E03A-513](#) [M81714/63-22S L/C](#) [M81714/65-12-1](#) [66020-2](#) [CW8958-000](#) [699886-000](#) [D250-50632](#) [70.400.3240.0](#) [70.955.2453.3](#) [733753-000](#) [F22831-000](#) [780-522-DPX34RG8-02](#) [MMA25-0051R1](#) [MMA25-0341D1](#) [8660-501](#) [87.060.0053.0](#) [900709N001](#) [QRP4-12P-C\(01\)](#) [QR/P6-6S-C\(01\)](#) [AC-600003-004](#) [1218600-1](#) [D-659-0061](#) [DMC-MD 24 C-T](#) [1-445717-6](#) [1484398-2](#) [1484399-2](#) [1484469-2](#) [MR-34MG](#) [1484225-1](#) [1484398-1](#) [1484510-4](#) [1604997-2](#) [1663130-1](#) [1663767-7](#) [1663767-8](#) [MTC100-BF1-P31CS015](#) [MTC100-KT2-0083](#) [MTC100-KT2-0123-003](#)