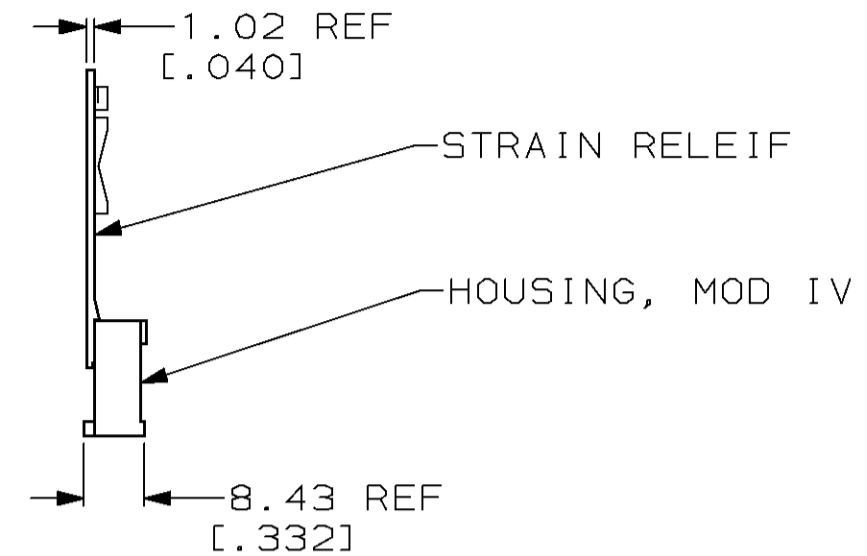
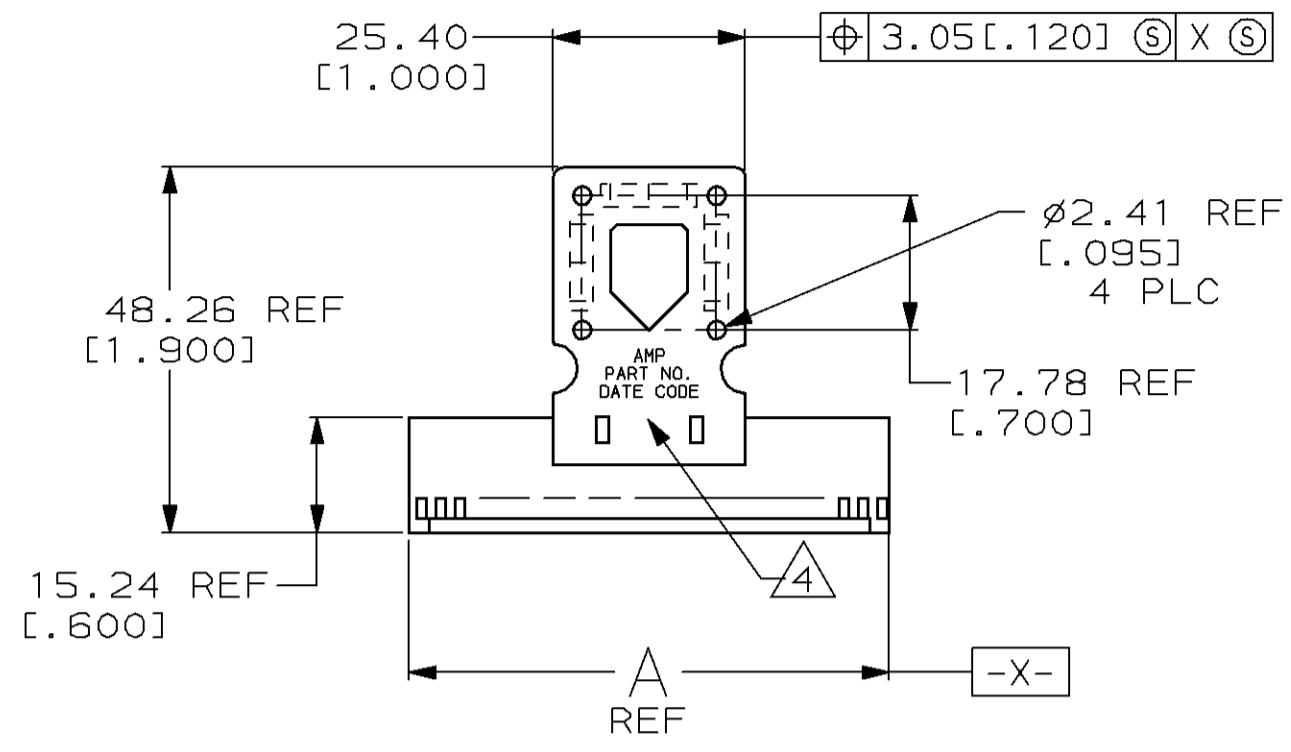
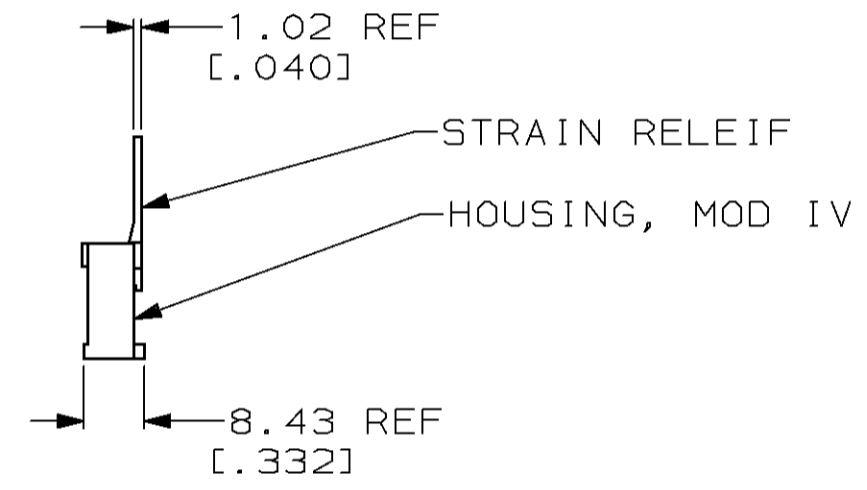
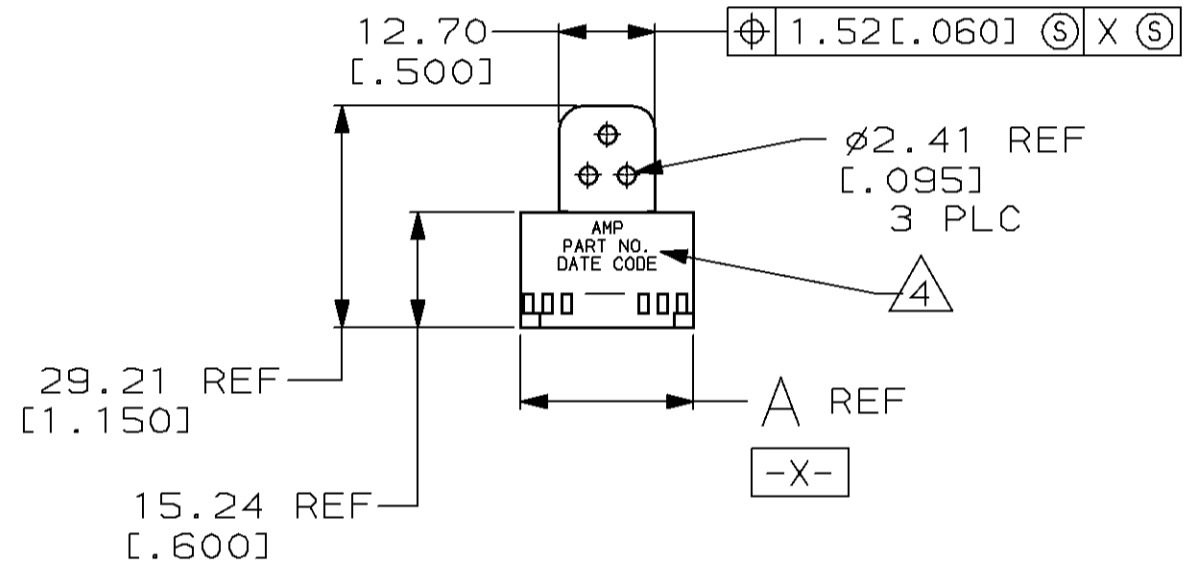


LOC	DIST	P	F	ZONE	LTR	DESCRIPTION	DATE	APPD
AD	39				F	REV PER 0010-0684-94	5-23-94	PS
					G	REV PER 0010-0932-94	6-27-94	PS
					H	OBS -8 PER 0010-0665-96	30DEC96	JH

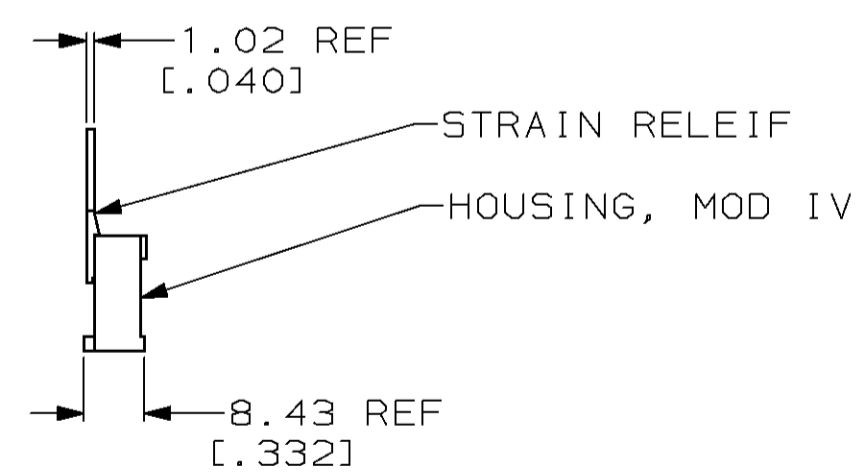
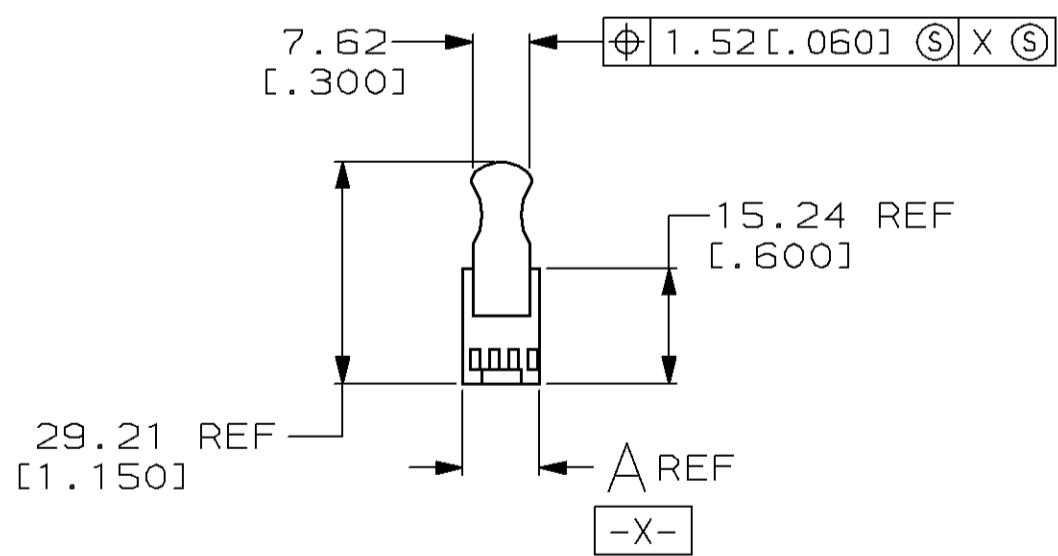
TYPE I



TYPE II



TYPE III



1. STRAIN RELIEF TO BE ULTRASONICALLY WELDED TO HOUSING.
2. ASSEMBLIES 8 POSN AND SMALLER WILL NOT BE MARKED.
3. OBSOLETE PART NUMBER.
4. "AMP", PART NO., AND DATE CODE MARKED (WHITE)  
 1.58±0.38[.062±.015] HIGH CHARACTERS IN AREA SHOWN.

THIS DRAWING IS A CONTROLLED DOCUMENT FOR AMP INCORPORATED. IT IS SUBJECT TO CHANGE AND THE CONTROLLING ENGINEERING ORGANIZATION SHOULD BE CONTACTED FOR THE LATEST REVISION.

DO NOT SCALE PRINT. UNLESS SPECIFIED DIMENSIONS IN mm [INCHES] TOLERANCES ON : 2 PLC DEC ± 0.13[.005] 3 PLC DEC ± - ANGLES ± -		DR 6-20-94 E. BRANDBERG		PART NO	
MATERIAL FLAME RETARDANT GLASS FILLED NYLON COLOR: BLACK		CHK 6-20-94 P. SREMCICH		AMP AMP Incorporated Harrisburg, PA 17105-3608	
FINISH -		APPD 6-20-94 D. DUPLER		NAME HOUSING ASSEMBLY, MOD IV 2.54[.100] X 2.54[.100] ⚡ W/POLARIZATION AND STRAIN RELIEF	
WEIGHT -		APPLICATION SPEC -		SIZE C 00779	DRAWING NO G=102184
		PRODUCT SPEC -		SCALE 1:1	SHEET 1 OF 2

LOC	DIST	P	F	ZONE	LTR	REVISIONS	DATE	APPD
AD	39				H	DESCRIPTION		
						SEE SHEET 1		

NONE	I	81.28 [3.200]	6-87977-2	64	△	6-102184-2
ALL	I	81.28 [3.200]	6-87977-2	64	△	6-102184-1
NONE	I	73.66 [2.900]	6-87977-0	58	△	6-102184-0
ALL	I	73.66 [2.900]	6-87977-0	58	△	5-102184-9
NONE	I	71.12 [2.800]	5-87977-8	56	△	5-102184-8
ALL	I	71.12 [2.800]	5-87977-8	56	△	5-102184-7
NONE	I	60.96 [2.400]	5-87977-6	48	△	5-102184-6
ALL	I	60.96 [2.400]	5-87977-6	48	△	5-102184-5
NONE	I	91.44 [3.600]	5-87977-4	72	△	5-102184-4
NONE	I	88.90 [3.500]	5-87977-3	70	△	5-102184-3
NONE	I	83.82 [3.300]	5-87977-2	66	△	5-102184-2
NONE	I	76.20 [3.000]	5-87977-1	60	△	5-102184-1
NONE	I	68.58 [2.700]	5-87977-0	54	△	5-102184-0
NONE	I	66.04 [2.600]	4-87977-9	52	△	4-102184-9
NONE	I	63.50 [2.500]	4-87977-8	50	△	4-102184-8
NONE	I	55.88 [2.200]	4-87977-7	44	△	4-102184-7
NONE	I	53.34 [2.100]	4-87977-6	42	△	4-102184-6
NONE	I	50.80 [2.000]	4-87977-5	40	△	4-102184-5
NONE	I	48.26 [1.900]	4-87977-4	38	△	4-102184-4
NONE	I	45.72 [1.800]	4-87977-3	36	△	4-102184-3
NONE	I	43.18 [1.700]	4-87977-2	34	△	4-102184-2
NONE	I	40.64 [1.600]	4-87977-1	32	△	4-102184-1
NONE	I	38.10 [1.500]	4-87977-0	30	△	4-102184-0
NONE	I	35.56 [1.400]	3-87977-9	28	△	3-102184-9
NONE	I	33.02 [1.300]	3-87977-8	26	△	3-102184-8
NONE	I	30.48 [1.200]	3-87977-7	24	△	3-102184-7
NONE	I	27.94 [1.100]	3-87977-6	22	△	3-102184-6
NONE	I	25.40 [1.000]	3-87977-5	20	△	3-102184-5
NONE	II	22.86 [.900]	3-87977-4	18	△	3-102184-4
NONE	II	20.32 [.800]	3-87977-3	16	△	3-102184-3
NONE	II	17.78 [.700]	3-87977-2	14	△	3-102184-2
MARKING	TYPE	A	HOUSING PART NO.	NO. OF POSN		PART NUMBER

NONE	II	15.24 [.600]	3-87977-1	12	△	3-102184-1
NONE	II	12.70 [.500]	3-87977-0	10	△	3-102184-0
NONE	III	10.16 [.400]	2-87977-9	8		2-102184-9
NONE	III	7.62 [.300]	2-87977-8	6		2-102184-8
ALL	I	91.44 [3.600]	5-87977-4	72	△	2-102184-7
ALL	I	88.90 [3.500]	5-87977-3	70	△	2-102184-6
ALL	I	83.82 [3.300]	5-87977-2	66	△	2-102184-5
ALL	I	76.20 [3.000]	5-87977-1	60	△	2-102184-4
ALL	I	68.58 [2.700]	5-87977-0	54	△	2-102184-3
ALL	I	66.04 [2.600]	4-87977-9	52	△	2-102184-2
ALL	I	63.50 [2.500]	4-87977-8	50	△	2-102184-1
ALL	I	55.88 [2.200]	4-87977-7	44	△	2-102184-0
ALL	I	53.34 [2.100]	4-87977-6	42	△	1-102184-9
ALL	I	50.80 [2.000]	4-87977-5	40	△	1-102184-8
ALL	I	48.26 [1.900]	4-87977-4	38	△	1-102184-7
ALL	I	45.72 [1.800]	4-87977-3	36	△	1-102184-6
ALL	I	43.18 [1.700]	4-87977-2	34	△	1-102184-5
ALL	I	40.64 [1.600]	4-87977-1	32	△	1-102184-4
ALL	I	38.10 [1.500]	4-87977-0	30	△	1-102184-3
ALL	I	35.56 [1.400]	3-87977-9	28	△	1-102184-2
ALL	I	33.02 [1.300]	3-87977-8	26	△	1-102184-1
ALL	I	30.48 [1.200]	3-87977-7	24	△	1-102184-0
ALL	I	27.94 [1.100]	3-87977-6	22	△	102184-9
ALL	I	25.40 [1.000]	3-87977-5	20	△	102184-8
ALL	II	22.86 [.900]	3-87977-4	18		102184-7
ALL	II	20.32 [.800]	3-87977-3	16	△	102184-6
ALL	II	17.78 [.700]	3-87977-2	14	△	102184-5
ALL	II	15.24 [.600]	3-87977-1	12	△	102184-4
ALL	II	12.70 [.500]	3-87977-0	10	△	102184-3
ALL	III	10.16 [.400]	2-87977-9	8	△	102184-2
ALL	III	7.62 [.300]	2-87977-8	6	△	102184-1
MARKING	TYPE	A	HOUSING PART NO.	NO. OF POSN		PART NUMBER

DO NOT SCALE PRINT. UNLESS SPECIFIED DIMENSIONS IN mm [INCHES] TOLERANCES ON : 2 PLC DEC ± 0.13[.005] 3 PLC DEC ± - ANGLES ± -		DR 6-20-94 E. BRANDBERG	<b>AMP</b> AMP Incorporated Harrisburg, PA 17105-3608
MATERIAL FLAME RETARDANT GLASS FILLED NYLON COLOR: BLACK		CHK 6-20-94 P. SREMCICH	
FINISH -		APPD 6-20-94 P. SREMCICH	NAME HOUSING ASSEMBLY, MOD IV 2.54[.100] X 2.54[.100] ↓ W/POLARIZATION AND STRAIN RELIEF
-		APPD 6-20-94 D. DUPLER	
-		PRODUCT SPEC -	SIZE C CAGE CODE 00779 DRAWING NO C=102184
-		APPLICATION SPEC -	SCALE 2:1 SHEET 20F2
-		WEIGHT -	

THIS DRAWING IS A CONTROLLED DOCUMENT FOR AMP INCORPORATED. IT IS SUBJECT TO CHANGE AND THE CONTROLLING ENGINEERING ORGANIZATION SHOULD BE CONTACTED FOR THE LATEST REVISION.

## X-ON Electronics

Largest Supplier of Electrical and Electronic Components

*Click to view similar products for [Headers & Wire Housings](#) category:*

*Click to view products by [TE Connectivity](#) manufacturer:*

Other Similar products are found below :

[95000-104TRLF](#) [10135584-644402LF](#) [DF62W-EP2022PCA](#) [95000-106TRLF](#) [DF62W-2022SCA](#) [DF62W-EP2022PC](#) [2203348](#) [DF62W-2022SC](#) [1084018](#) [1029039](#) [1084017](#) [802-10-012-10-002000](#) [1112640](#) [1112639](#) [891-007-9SS-BST1T](#) [000-34000](#) [0008550134](#) [0009482033](#) [0009507031](#) [57102-F02-18ULF](#) [57102-S06-03LF](#) [57202-S52-04LF](#) [PCN6-15S-2.5E](#) [0039019024](#) [58102-G61-06LF](#) [582553-1](#) [0009485154](#) [0009508121](#) [0022285053](#) [0050291907](#) [018731A](#) [LY20-4P-DT1-P1E-BR](#) [02.125.8002.8](#) [60101931](#) [60598-1 \(Cut Strip\)](#) [M1625-3R/100](#) [61062-3](#) [61082-181009](#) [CSU011177004](#) [636-1427](#) [638009-1](#) [641938-9](#) [641991-4](#) [644168-1](#) [644827-2](#) [647662-1](#) [65039-019ELF](#) [65692-001LF](#) [65781-018](#) [65781-047](#)