



# ATWILC3000-MR110CA

---

---

## IEEE 802.11 b/g/n Link Controller Module with Integrated Bluetooth® 4.0

---

---

### Description

---

The ATWILC3000-MR110CA module is an IEEE 802.11 b/g/n RF/Baseband/Medium Access Control (MAC) link controller and Bluetooth 4.0 compliant module<sup>(1)</sup>, optimized for low power mobile applications. This module supports single stream 1x1 IEEE 802.11n mode providing up to 72 Mbps PHY rate. The ATWILC3000-MR110CA module features small form factor when integrating Power Amplifier (PA), Low-Noise Amplifier (LNA), Transmit/Receive switch, Power Management, and chip Antenna. This module offers very low power consumption while simultaneously providing high performance. This module contains all circuitry required including a chip antenna, 26 MHz crystal, and PMU circuitry. The ATWILC3000-MR110CA module requires a 32.768 kHz clock for sleep operation.

The ATWILC3000-MR110CA module utilizes highly optimized IEEE 802.11 Bluetooth coexistence protocols, and provides Serial Peripheral Interface (SPI) and Secure Digital Input Output (SDIO) for interfacing with the host controller.

### Features

---

#### IEEE 802.11:

- IEEE 802.11 b/g/n RF/PHY/MAC SOC
- IEEE 802.11 b/g/n (1x1) for up to 72 Mbps PHY rate
- Single spatial stream in 2.4 GHz ISM band
- Integrated PA and T/R switch
- Integrated chip antenna
- Superior sensitivity and range via advanced PHY signal processing
- Advanced equalization and channel estimation
- Advanced carrier and timing synchronization
- Wi-Fi Direct® and Soft-AP support
- Supports IEEE 802.11 WEP, WPA, WPA2 and WPA2 Enterprise security
- Superior MAC throughput through hardware accelerated two-level A-MSDU/A-MPDU frame aggregation and block acknowledgement
- On-chip memory management engine to reduce host load
- SPI and SDIO host interfaces
- Operating temperature range from -40°C to +85°C
- Wi-Fi Alliance® certified for connectivity and optimizations
  - ID: [WFA72428](#)

#### Bluetooth:

- Bluetooth 4.0(Basic Rate, Enhanced Data Rate and BLE)<sup>(1)</sup>

- Frequency hopping
- Host Control Interface (HCI) through high speed UART
- Integrated PA and T/R switch
- Superior sensitivity and range
- BT SIG QDID - [99659](#) <sup>(1)</sup>

**Note:**

1. BT SIG QDID qualification is for BLE only

# Table of Contents

---

Description.....	1
Features.....	1
1. Ordering Information and Module Marking.....	6
2. Block Diagram.....	7
3. Pinout and Package Information.....	8
3.1. Package Description.....	11
4. Electrical Characteristics.....	12
4.1. Absolute Maximum Ratings.....	12
4.2. Recommended Operating Conditions.....	12
4.3. DC Characteristics.....	13
4.4. IEEE 802.11 b/g/n Radio Performance.....	13
4.5. Bluetooth Radio Performance.....	16
4.6. Timing Characteristics.....	17
5. Power Management.....	23
5.1. Device States.....	23
5.2. Controlling Device States.....	23
5.3. Power-Up/Down Sequence.....	24
5.4. Digital I/O Pin Behavior During Power-Up Sequences.....	25
6. Clocking.....	27
6.1. Low-Power Clock.....	27
7. CPU and Memory Subsystem.....	28
7.1. Processor.....	28
7.2. Memory Subsystem.....	28
7.3. Nonvolatile Memory.....	28
8. WLAN Subsystem.....	30
8.1. MAC.....	30
8.2. PHY.....	31
8.3. Radio.....	31
9. Bluetooth Subsystem.....	33
9.1. Bluetooth 4.0.....	33
9.2. Features.....	33
10. External Interfaces.....	34
10.1. Interfacing with the Host Microcontroller.....	34
10.2. SDIO Slave Interface.....	35
10.3. SPI Slave Interface.....	36

10.4. I <sup>2</sup> C Slave Interface.....	37
10.5. UART Debug Interface.....	37
10.6. SPI Master Interface.....	38
10.7. PCM Interface.....	38
10.8. GPIOs.....	39
10.9. Internal Pull up Resistors.....	39
11. Application Reference Design.....	40
11.1. Host Interface - SPI.....	40
11.2. Host Interface - SDIO .....	41
12. Module Outline Drawings.....	43
13. Design Consideration.....	44
13.1. Module Placement and Routing Guidelines.....	44
13.2. Antenna Performance.....	45
14. Reflow Profile Information.....	49
14.1. Storage Condition.....	49
14.2. Solder Paste.....	49
14.3. Stencil Design.....	49
14.4. Baking Conditions.....	49
14.5. Soldering and Reflow Condition.....	49
15. Module Assembly Considerations.....	52
16. Regulatory Approval.....	53
16.1. United States.....	53
16.2. Canada.....	54
16.3. Europe.....	56
17. Reference documentation.....	58
18. Document Revision History.....	59
The Microchip Web Site.....	60
Customer Change Notification Service.....	60
Customer Support.....	60
Product Identification System.....	61
Microchip Devices Code Protection Feature.....	61
Legal Notice.....	62
Trademarks.....	62
Quality Management System Certified by DNV.....	63

Worldwide Sales and Service.....64

## 1. Ordering Information and Module Marking

The following table provides the ordering details for the ATWILC3000-MR110CA module.

**Table 1-1. Ordering Details**

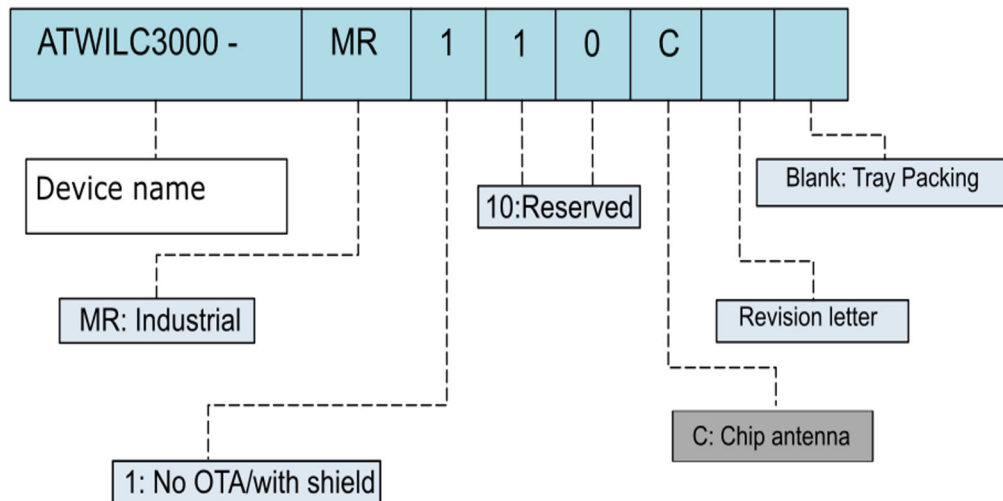
Model Number	Ordering Code	Package	Description	Regulatory Information (1)
ATWILC3000-MR110CA	ATWILC3000-MR110CA	22.4 x 14.7 x 2.0 mm	Certified module with ATWILC3000-MU IC and chip antenna	FCC, IC, CE

**Note:**

- For additional details refer to [Regulatory Approval](#)

The following figure illustrates the ATWILC3000-MR110CA module marking information.

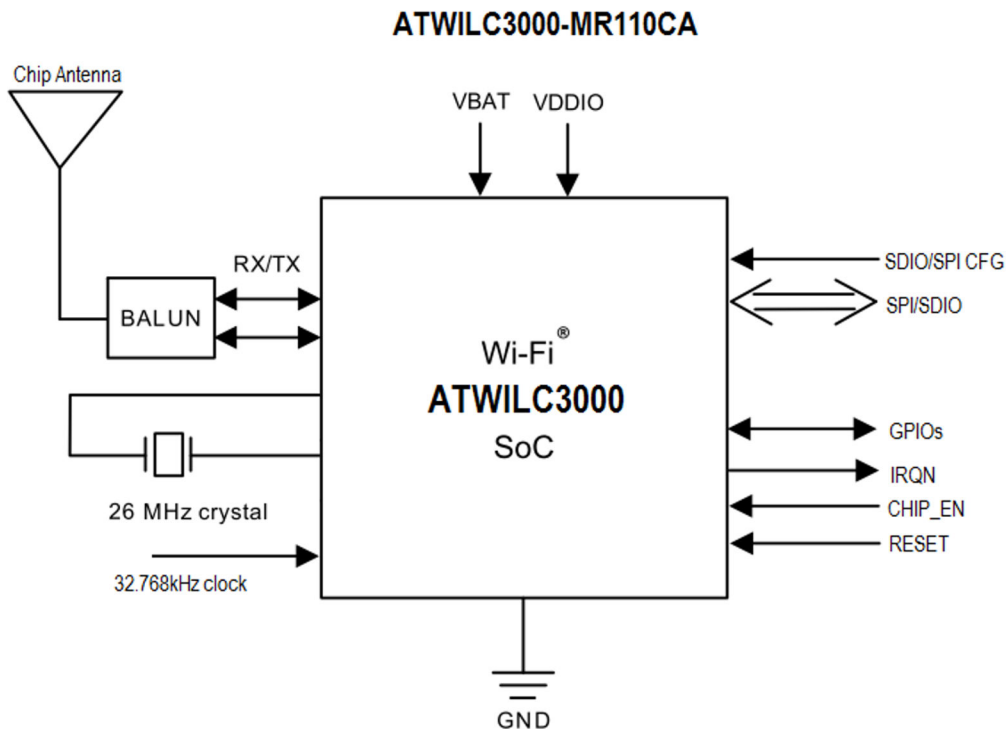
**Figure 1-1. Marking Information**



## 2. Block Diagram

The following figure shows the block diagram of the ATWILC3000-MR110CA module.

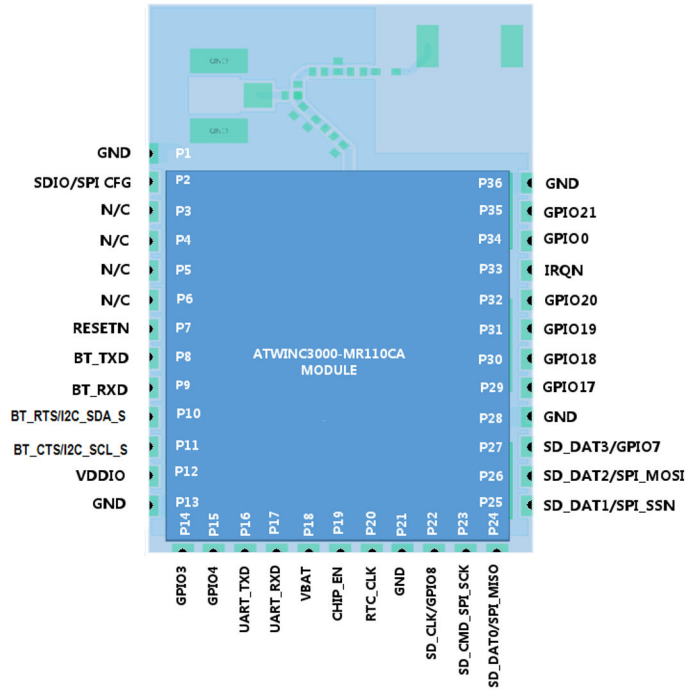
Figure 2-1. ATWILC3000-MR110CA Module Block Diagram



### 3. Pinout and Package Information

This package contains an exposed paddle that must be connected to the system board ground. The ATWILC3000-MR110CA module pin assignment is shown in following figure.

Figure 3-1. ATWILC3000-MR110CA Module Pin Assignment



The following table provides the ATWILC3000-MR110CA module pin description.

Table 3-1. ATWILC3000-MR110CA Module Pin Description

Pin #	Pin Name	Pin Type	Description
1	GND	GND	Ground
2	SDIO/SPI CFG	Digital Input	Connect to VDDIO through a 1 MOhm resistor to enable SPI interface. Connect to GND to enable SDIO interface
3	NC	-	No connection
4	NC	-	No connection
5	NC	-	No connection
6	NC	-	No connection
7	RESETN	Digital Input	Active-low hard Reset. When this pin is asserted low, the module is placed in the Reset state. When this pin is asserted high, the module is out of Reset and functions normally. Connect to a host output that defaults low on power-up. If the host output is



Pin #	Pin Name	Pin Type	Description
			tri-stated, add a 1 MOhm pull down resistor to ensure a low level at power-up
8	BT_TXD	Digital I/O, Programmable pull up	Bluetooth UART transmit data output. Connect to UART_RXD of host
9	BT_RXD	Digital I/O, Programmable pull up	Bluetooth UART receive data input. Connect to UART_TXD of host
10	BT_RTS/I <sup>2</sup> C_SDA_S	Digital I/O, Programmable pull up	I <sup>2</sup> C Slave data. Used only for debug development purposes. It is recommended to add a test point for this pin. I2C will be the default configuration. If flow control is enabled, this pin will be configured as UART RTS
11	BT_CTS/I <sup>2</sup> C_SCL_S	Digital I/O, Programmable pull up	I <sup>2</sup> C Slave clock. Used only for debug development purposes. It is recommended to add a test point for this pin. I2C will be the default configuration. If flow control is enabled, this pin will be configured as UART CTS
12	VDDIO	Power	Digital I/O power supply
13	GND	GND	Ground
14	GPIO3	Digital I/O, Programmable pull up	GPIO_3
15	GPIO4	Digital I/O, Programmable pull up	GPIO_4
16	UART_TXD	Digital I/O, Programmable pull up	Wi-Fi <sup>®</sup> UART TxD output. Used only for debug development purposes. It is recommended to add a test point for this pin
17	UART_RXD	Digital I/O, Programmable pull up	Wi-Fi UART RxD input. Used only for debug development purposes. It is recommended to add a test point for this pin
18	VBAT	Power	Power supply pin for DC/DC converter and PA
19	CHIP_EN	Digital Input	PMU enable. High level enables the module and the low level places the module in Power- Down mode. Connect to a host output that defaults low at power-up. If the host output is

Pin #	Pin Name	Pin Type	Description
			tri-stated, add a 1 MOhm pull down resistor if necessary to ensure a low level at power-up
20	RTC_CLK	Digital I/O, Programmable pull up	RTC Clock input. Connect to a 32.768 kHz clock source
21	GND	GND	Ground
22	SD_CLK/GPIO8	Digital I/O, Programmable pull up	SDIO clock line from the ATWILC3000-MR110CA, when the module is configured for SDIO
23	SD_CMD/SPI_SCK	Digital I/O, Programmable pull up	SDIO CMD line from ATWILC3000-MR110CA, when the module is configured for SDIO. SPI clock from ATWILC3000-MR110CA, when the module is configured for SPI
24	SD_DAT0/SPI_MISO	Digital I/O, Programmable pull up	SDIO Data Line 0 from the ATWILC3000-MR110CA, when the module is configured for SDIO. SPI MISO (Master In Slave Out) pin from the ATWILC3000-MR110CA, when the module is configured for SPI
25	SD_DAT1/SPI_SSN	Digital I/O, Programmable pull up	SDIO Data Line 1 from the ATWILC3000-MR110CA, when the module is configured for SDIO. Active-low SPI SSN (Slave Select) pin from the ATWILC3000-MR110CA, when the module is configured for SPI
26	SD_DAT2/SPI_MOSI	Digital I/O, Programmable pull up	SDIO Data Line 2 from the ATWILC3000-MR110CA, when the module is configured for SDIO. SPI MOSI (Master Out Slave In) pin from the ATWILC3000-MR110CA, when the module is configured for SPI
27	SD_DAT3/GPIO7	Digital I/O, Programmable pull up	SDIO Data Line 3 from the ATWILC3000-MR110CA, when the module is configured for SDIO
28	GND	GND	Ground
29	GPIO17	Digital I/O, Programmable pull up	GPIO_17
30	GPIO18	Digital I/O, Programmable pull up	GPIO_18
31	GPIO19	Digital I/O, Programmable pull up	GPIO_19

Pin #	Pin Name	Pin Type	Description
32	GPIO20	Digital I/O, Programmable pull up	GPIO_20
33	IRQN	Digital output, Programmable pull up	ATWILC3000-MR110CA module interrupt output. Connect to a host interrupt pin
34	GPIO 0	Digital I/O, Programmable pull up	GPIO_0
35	GPIO 21	Digital I/O, Programmable pull up	GPIO_21
36	GND	GND	Ground
37	PADDLE VSS	Power	Connect to system board ground

## 3.1 Package Description

The following table provides the ATWILC3000-MR110CA module package dimensions.

**Table 3-2. ATWILC3000-MR110CA Module Package Information**

Parameter	Value	Units
Package Size	22.43 x 14.73	mm
Pad Count	36	-
Total Thickness	2.09	mm
Pad Pitch	1.20	
Pad Width	0.81	
Exposed Pad size	4.4 x 4.4	

## 4. Electrical Characteristics

This chapter provides an overview of the electrical characteristics of the ATWILC3000-MR110CA module.

### 4.1 Absolute Maximum Ratings

The following table provides the absolute maximum ratings for the ATWILC3000-MR110CA module.

**Table 4-1. ATWILC3000-MR110CA Module Absolute Maximum Ratings**

Characteristic	Symbol	Min.	Max.	Unit
I/O Supply Voltage	VDDIO	-0.3	5.0	V
Battery Supply Voltage	VBAT	-0.3	5.0	
Digital Input Voltage	V <sub>IN</sub>	-0.3	VDDIO	
ESD Human Body Model	V <sub>ESDHBM</sub>	-1000, -2000 (see notes below)	+1000, +2000 (see notes below)	
Storage Temperature	T <sub>A</sub>	-65	150	°C
Junction Temperature	-	-	125	
RF input power max.	-	-	23	dBm

1. V<sub>IN</sub> corresponds to all the digital pins.
2. For V<sub>ESDHBM</sub>, each pin is classified as Class 1, or Class 2, or both:
  - 2.1. The Class 1 pins include all the pins (both analog and digital).
  - 2.2. The Class 2 pins include all digital pins only.
  - 2.3. V<sub>ESDHBM</sub> is ±1 kV for Class 1 pins. V<sub>ESDHBM</sub> is ± 2kV for Class 2 pins.



**Caution:** Stresses beyond those listed under “Absolute Maximum Ratings” cause permanent damage to the device. This is a stress rating only. The functional operation of the device at those or any other conditions above those indicated in the operation listings of this specification is not implied. Exposure to maximum rating conditions for extended periods affects the device reliability.

### 4.2 Recommended Operating Conditions

The following table provides the recommended operating conditions for the ATWILC3000-MR110CA module.

**Table 4-2. ATWILC3000-MR110CA Module Recommended Operating Conditions**

Characteristic	Symbol	Min.	Typ.	Max.	Units
I/O Supply Voltage Low Range	VDDIO <sub>L</sub> <sup>(2)</sup>	1.62	1.80	2.00	V
I/O Supply Voltage Mid Range	VDDIO <sub>M</sub> <sup>(2)</sup>	2.00	2.50	3.00	

Characteristic	Symbol	Min.	Typ.	Max.	Units
I/O Supply Voltage High Range	VDDIO <sub>H</sub> <sup>(2)</sup>	3.00	3.30	3.60	
Battery Supply Voltage	VBAT	2.5 <sup>(3)</sup>	3.30	4.20	
Operating Temperature	-	-40	-	85	°C

**Note:**

1. Battery supply voltage is applied to the VBAT pin.
2. I/O supply voltage is applied to the VDDIO pin.
3. The ATWILC3000-MR110CA module is functional across this range of voltages; however, optimal RF performance is guaranteed for VBAT in the range  $\geq 3.0V$  VBAT  $\leq 4.2V$ .

### 4.3 DC Characteristics

The following table provides the DC characteristics for the ATWILC3000-MR110CA module digital pads.

**Table 4-3. DC Electrical Characteristics**

VDDIO Condition	Characteristic	Min.	Typ.	Max.	Unit
VDDIO <sub>L</sub>	Input Low Voltage (V <sub>IL</sub> )	-0.30		0.60	V
	Input High Voltage (V <sub>IH</sub> )	VDDIO -0.60		VDDIO+0.30	
	Output Low Voltage (V <sub>OL</sub> )	-		0.45	
	Output High Voltage (V <sub>OH</sub> )	VDDIO -0.50		-	
VDDIO <sub>M</sub>	Input Low Voltage (V <sub>IL</sub> )	-0.30		0.63	
	Input High Voltage (V <sub>IH</sub> )	VDDIO -0.60		VDDIO+0.30	
	Output Low Voltage (V <sub>OL</sub> )	-		0.45	
	Output High Voltage (V <sub>OH</sub> )	VDDIO -0.50		-	
VDDIO <sub>H</sub>	Input Low Voltage (V <sub>IL</sub> )	-0.30		0.65	
	Input High Voltage (V <sub>IH</sub> )	VDDIO <sub>N</sub> -0.60		VDDIO+0.30 (up to 3.60)	
	Output Low Voltage (V <sub>OL</sub> )	-		0.45	
	Output High Voltage (V <sub>OH</sub> )	VDDIO -0.50		-	
All	Output Loading	-		20	pF
	Digital Input Load	-		6	
VDDIO <sub>L</sub>	Pad Driver Strength	1.7	2.4		mA
VDDIO <sub>M</sub>	Pad Driver Strength	3.4	6.5		
VDDIO <sub>H</sub>	Pad Driver Strength	10.6	13.5		

### 4.4 IEEE 802.11 b/g/n Radio Performance

## 4.4.1 Receiver Performance

The receiver performance under nominal conditions are:

- VBAT = 3.3V
- VDDIO = 3.3V
- Temp = 25°C
- Measured after RF matching network

The following table provides the receiver performance characteristics for the ATWILC3000-MR110CA module.

**Table 4-4. IEEE 802.11 Receiver Performance Characteristics**

Parameter	Description	Min.	Typ.	Max.	Unit
Frequency	-	2,412	-	2,472	MHz
Sensitivity 802.11b	1 Mbps DSSS	-	-95.0	-	dBm
	2 Mbps DSSS	-	-93.5	-	
	5.5 Mbps DSSS	-	-90.0	-	
	11 Mbps DSSS	-	-86.0	-	
Sensitivity 802.11g	6 Mbps OFDM	-	-90.0	-	dBm
	9 Mbps OFDM	-	-88.5	-	
	12 Mbps OFDM	-	-86.0	-	
	18 Mbps OFDM	-	-84.5	-	
	24 Mbps OFDM	-	-82.0	-	
	36 Mbps OFDM	-	-78.5	-	
	48 Mbps OFDM	-	-74.5	-	
	54 Mbps OFDM	-	-73.0	-	
Sensitivity 802.11n (BW=20 MHz, 800ns GI)	MCS 0	-	-89.0	-	dBm
	MCS 1	-	-87.0	-	
	MCS 2	-	-84.0	-	
	MCS 3	-	-81.5	-	
	MCS 4	-	-78.0	-	
	MCS 5	-	-74.0	-	
	MCS 6	-	-72.0	-	
	MCS 7	-	-70.0	-	
Maximum Receive Signal Level	1-11 Mbps DSSS	-	0	-	dBm
	6-54 Mbps OFDM	-	0	-	
	MCS 0 - 7 (800ns GI)	-	0	-	

Parameter	Description	Min.	Typ.	Max.	Unit
Adjacent Channel Rejection	1 Mbps DSSS (30 MHz offset)	-	50	-	dB
	11 Mbps DSSS (25 MHz offset)	-	43	-	
	6 Mbps OFDM (25 MHz offset)	-	40	-	
	54 Mbps OFDM (25 MHz offset)	-	25	-	
	MCS 0 – 20 MHz BW (25 MHz offset)	-	40	-	
	MCS 7 – 20 MHz BW (25 MHz offset)	-	20	-	

#### 4.4.2 Transmitter Performance

The transmitter performance under nominal conditions are:

- VBAT = 3.3V
- VDDIO = 3.3V
- Temp = 25°C

The following table provides the transmitter performance characteristics for the ATWILC3000-MR110CA module.

**Table 4-5. IEEE 802.11 Transmitter Performance Characteristics**

Parameter	Description	Minimum	Typical	Max.	Unit
Frequency	-	2,412	-	2,472	MHz
Output Power	802.11b 1 Mbps	-	17.0 <sup>(1)</sup>	-	dBm
	802.11b 11 Mbps	-	18.5 <sup>(1)</sup>	-	
	802.11g OFDM 6 Mbps	-	17.5 <sup>(1)</sup>	-	
	802.11g OFDM 54 Mbps	-	16.0 <sup>(1)</sup>	-	
	802.11n HT20 MCS 0 (800ns GI)	-	17.0 <sup>(1)</sup>	-	
	802.11n HT20 MCS 7 (800ns GI)	-	13.0 <sup>(1)</sup>	-	
Tx Power Accuracy	-	-	±1.5 <sup>(2)</sup>	-	dB
Carrier Suppression	-	-	30.0	-	dBc
Harmonic Output Power (Radiated, Regulatory mode)	2 <sup>nd</sup>	-	-	-41	dBm/MHz
	3 <sup>rd</sup>	-	-	-41	

**Note:**

1. Measured at IEEE 802.11 specification compliant EVM/Spectral mask.
2. Measured after RF matching network.
3. Operating temperature range is -40°C to +85°C. RF performance guaranteed at room temperature of 25°C with a 2-3dB change at boundary conditions.

4. With respect to TX power, different (higher/lower) RF output power settings may be used for specific antennas and/or enclosures, in which case recertification may be required.
5. The availability of some specific channels and/or operational frequency bands are country dependent and should be programmed at the Host product factory to match the intended destination. Regulatory bodies prohibit exposing the settings to the end user. This requirement needs to be taken care of via Host implementation.

## 4.5 Bluetooth Radio Performance

### 4.5.1 Receiver Performance

The receiver performance under nominal conditions are:

- VBAT = 3.3V
- VDDIO = 3.3V
- Temp: 25°C
- Measured after RF matching network.

The following table provides the Bluetooth receiver performance characteristics for the ATWILC3000-MR110CA module.

**Table 4-6. Bluetooth Receiver Performance Characteristics**

Parameter	Description	Min.	Typ.	Max.	Unit
Frequency	-	2,402	-	2,480	MHz
Sensitivity Ideal TX	GFSK 1Mbps - Basic Rate <sup>(1)</sup>	-	-91.5	-	dBm
	$\pi/4$ DQPSK 2Mbps <sup>(1)</sup>	-	-89.0	-	
	8DPSK 3Mbps <sup>(1)</sup>	-	-86.0	-	
	BLE (GFSK)	-	-92.5	-	
Maximum Receive Signal Level	BLE (GFSK)	-	0	-	
Interference performance(BLE)	Co-channel	-	9		dB
	adjacent + 1 MHz	-	-3	-	
	adjacent - 1 MHz	-	0	-	
	adjacent + 2 MHz(image frequency)	-	-28	-	
	adjacent - 2 MHz	-	-44	-	
	adjacent + 3 MHz (adjacent to image)	-	-38	-	
	adjacent - 3 MHz	-	-38	-	
	adjacent + 4 MHz	-	-48	-	
	adjacent - 4 MHz	-	-33	-	



Parameter	Description	Min.	Typ.	Max.	Unit
	adjacent +5 MHz	-	-37	-	
	adjacent - 5 MHz	-	-33	-	

**Note:**

- The data is preliminary

#### 4.5.2 Transmitter Performance

The transmitter performance under nominal conditions are:

- VBAT = 3.3V
- VDDIO = 3.3V
- Temp: 25°C
- Measured after RF matching network.

The following table provides the Bluetooth transmitter performance characteristics for the ATWILC3000-MR110CA module.

**Table 4-7. Bluetooth Transmitter Performance Characteristics**

Parameter	Description	Min.	Typ.	Max.	Unit
Frequency	-	2,402	-	2,480	MHz
Output Power	GFSK 1Mbps - Basic Rate <sup>(1)</sup>	-	1.8	-	dBm
	$\pi/4$ DQPSK 2Mbps <sup>(1)</sup>	-	1.8	-	
	8DPSK 3Mbps <sup>(1)</sup>	-	1.8	-	
	BLE (GFSK)	-	1.5	-	
In-band Spurious Emission(BLE)	N+2 (Image Frequency)	-	-32	-	
	N + 3 (Adjacent to Image frequency)	-	-36	-	
	N-2	-	-52	-	
	N-3	-	-54	-	

**Note:**

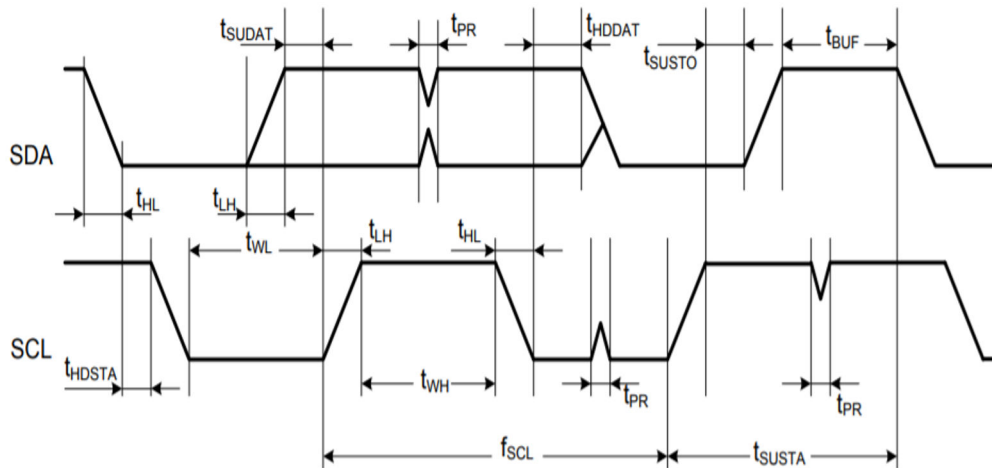
- The data is preliminary

## 4.6 Timing Characteristics

### 4.6.1 I<sup>2</sup>C Slave Timing

The I<sup>2</sup>C Slave timing diagram for the ATWILC3000-MR110CA module is shown in the following figure.

**Figure 4-1. I<sup>2</sup>C Slave Timing Diagram**



The following table provides the I<sup>2</sup>C Slave timing parameters for the ATWILC3000-MR110CA module.

**Table 4-8. I<sup>2</sup>C Slave Timing Parameters**

Parameter	Symbol	Min.	Max.	Units	Remarks
SCL Clock Frequency	$f_{SCL}$	0	400	kHz	-
SCL Low Pulse Width	$t_{WL}$	1.3	-	$\mu$ s	-
SCL High Pulse Width	$t_{WH}$	0.6	-		-
SCL, SDA Fall Time	$t_{HL}$	-	300	ns	-
SCL, SDA Rise Time	$t_{LH}$	-	300		This is dictated by external components
START Setup Time	$t_{SUSTA}$	0.6	-	$\mu$ s	-
START Hold Time	$t_{HDSTA}$	0.6	-		-
SDA Setup Time	$t_{SUDAT}$	100	-	ns	-
SDA Hold Time	$t_{HDDAT}$	0	-	ns	Slave and Master Default
		40	-	$\mu$ s	Master Programming Option
STOP Setup Time	$t_{SUSTO}$	0.6	-	$\mu$ s	-
Bus Free Time Between STOP and START	$t_{BUF}$	1.3	-		-
Glitch Pulse Reject	$t_{PR}$	0	50	ns	-

#### 4.6.2 SPI Slave Timing

The SPI Slave timing for the ATWILC3000-MR110CA module is provided in the following figures.

Figure 4-2. SPI Slave Clock Polarity and Clock Phase Timing

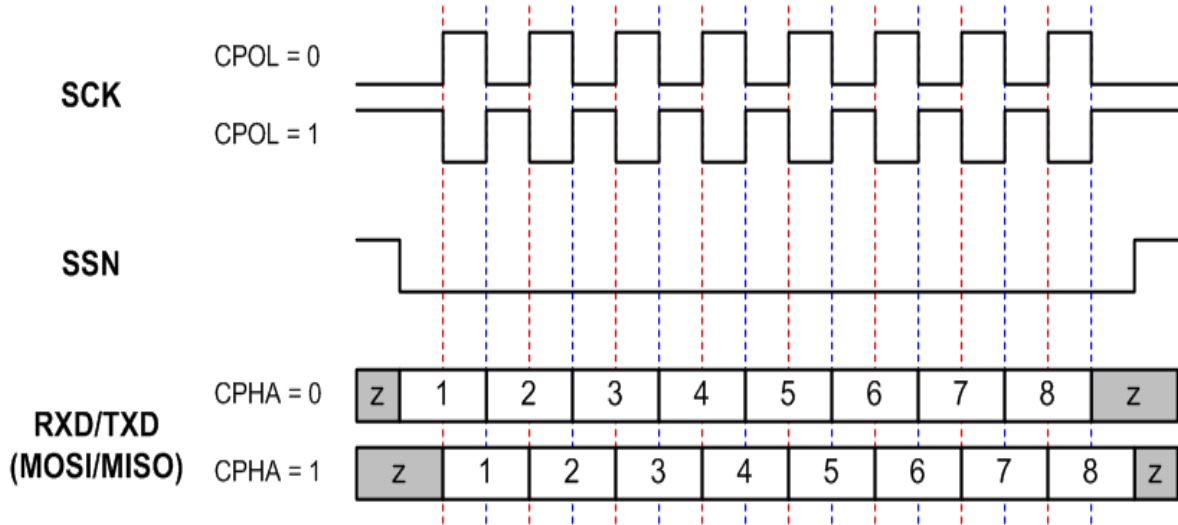
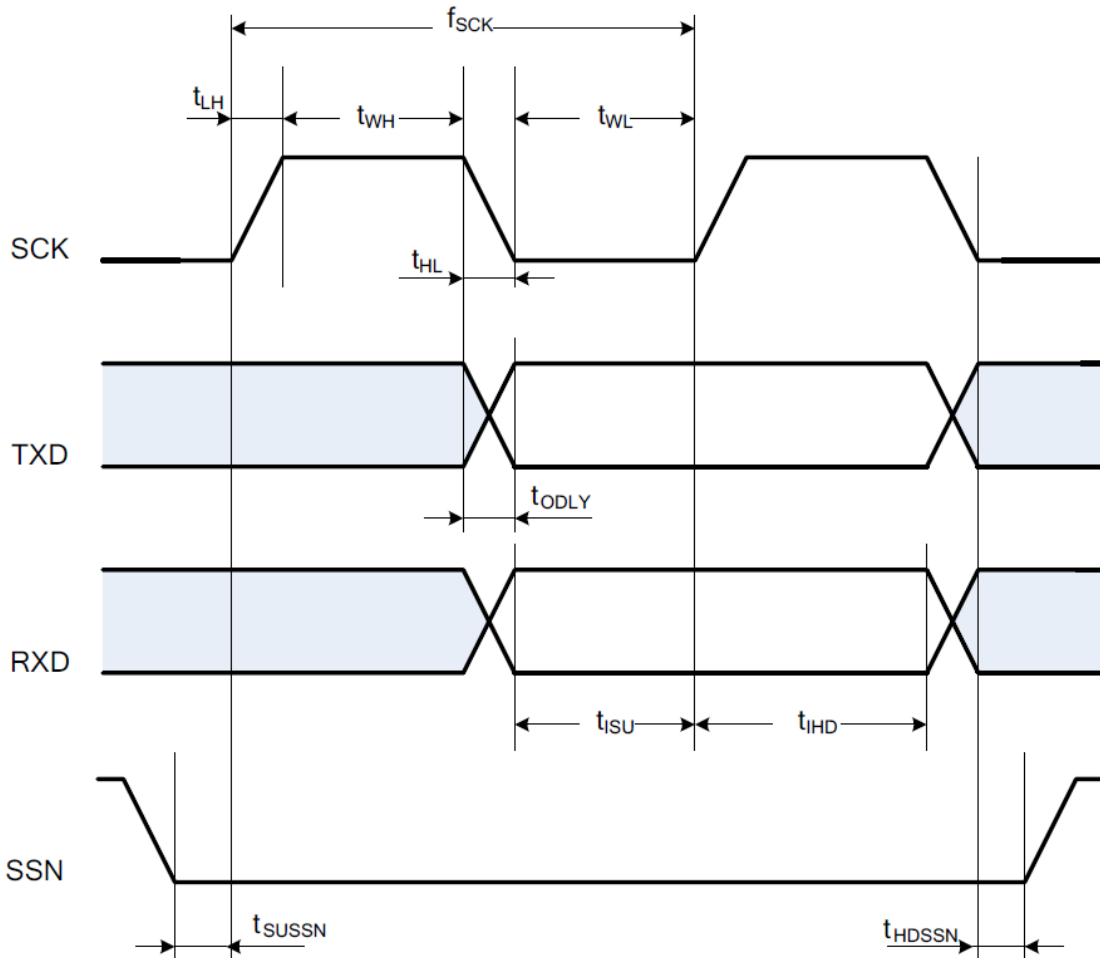


Figure 4-3. SPI Slave Timing Diagram



The following table provides the SPI Slave timing parameters for the ATWILC3000-MR110CA module.

**Table 4-9. SPI Slave Timing Parameters <sup>(1)</sup>**

Parameter	Symbol	Min.	Max.	Unit
Clock Input Frequency <sup>(2)</sup>	$f_{SCK}$	-	48	MHz
Clock Low Pulse Width	$t_{WL}$	6	-	ns
Clock High Pulse Width	$t_{WH}$	4	-	
Clock Rise Time	$t_{LH}$	0	7	
Clock Fall Time	$t_{HL}$	0	7	
TXD Output Delay <sup>(3)</sup>	$t_{ODLY}$	3	9 from SCK fall 11 from SCK rise	
RXD Input Setup Time	$t_{ISU}$	3	-	
RXD Input Hold Time	$t_{IHD}$	5	-	
SSN Input Setup Time	$t_{SUSSN}$	5	-	
SSN Input Hold Time	$t_{HDSSN}$	5	-	

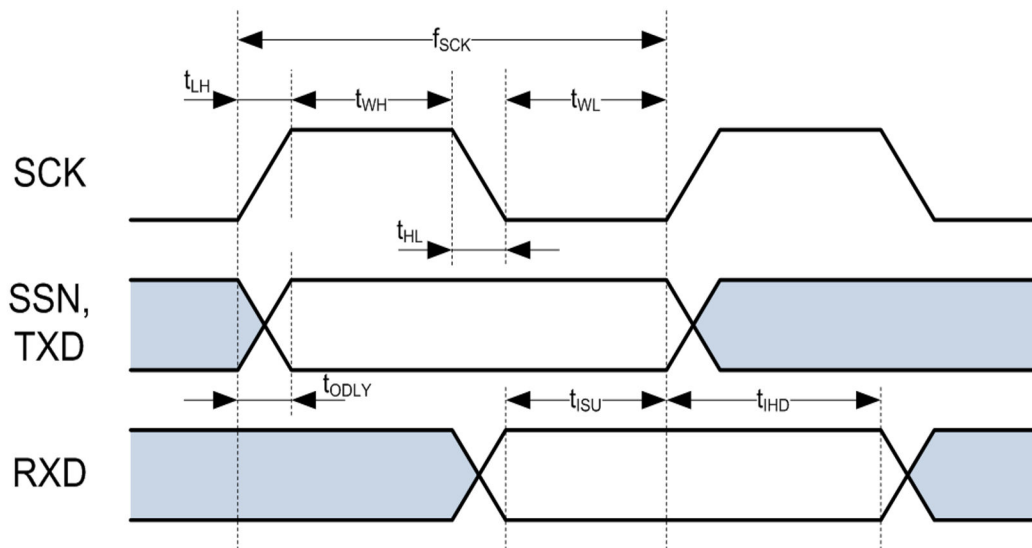
**Note:**

1. Timing is applicable to all SPI modes.
2. Maximum clock frequency specified is limited by the SPI Slave interface internal design; actual maximum clock frequency can be lower and depends on the specific PCB layout.
3. Timing based on 15 pF output loading.

**4.6.3 SPI Master Timing**

The SPI Master timing for the ATWILC3000-MR110CA module is shown in the following figure.

**Figure 4-4. SPI Master Timing Diagram**



The following table provides the SPI Master timing parameters for the ATWILC3000-MR110CA module .

**Table 4-10. SPI Master Timing Parameters <sup>(1)</sup>**

Parameter	Symbol	Min.	Max.	Unit
Clock Output Frequency <sup>(2)</sup>	$f_{SCK}$	-	20	MHz
Clock Low Pulse Width	$t_{WL}$	19	-	ns
Clock High Pulse Width	$t_{WH}$	21	-	
Clock Rise Time <sup>(3)</sup>	$t_{LH}$	-	11	
Clock Fall Time <sup>(3)</sup>	$t_{HL}$	-	10	
RXD Input Setup Time	$t_{ISU}$	24	-	
RXD Input Hold Time	$t_{IHD}$	0	-	
SSN/TXD Output Delay <sup>(3)</sup>	$t_{ODLY}$	-5	3	

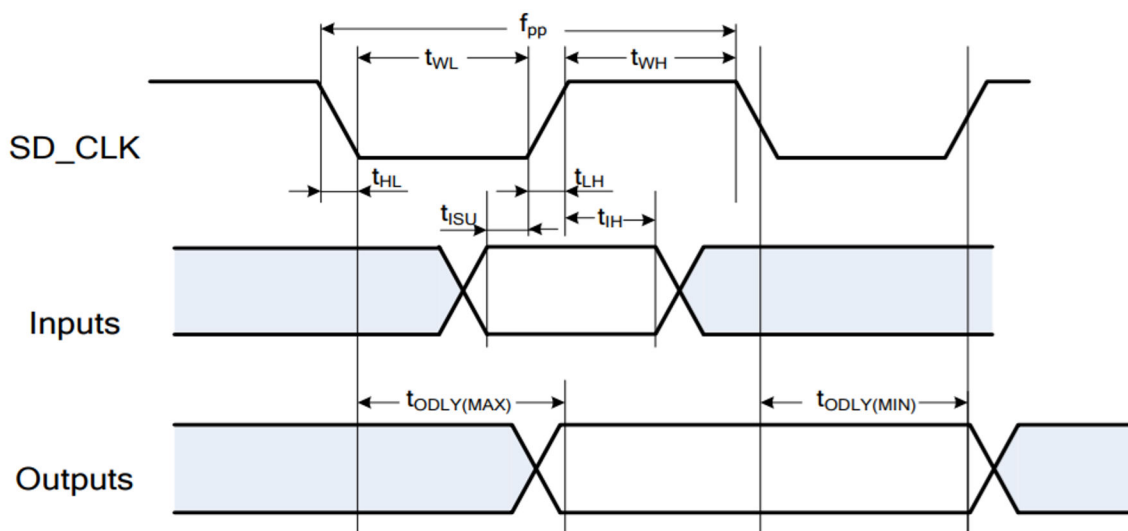
**Note:**

1. Timing is applicable to all SPI modes.
2. Maximum clock frequency specified is limited by the SPI Master interface internal design; actual maximum clock frequency can be lower and depends on the specific PCB layout.
3. Timing based on 15 pF output loading.

#### 4.6.4 SDIO Slave Timing

The SDIO Slave interface timing for ATWILC3000-MR110CA module is shown in the following figure.

**Figure 4-5. SDIO Slave Timing Diagram**



The following table provides the SDIO Slave timing parameters for the ATWILC3000-MR110CA module.

**Table 4-11. SDIO Slave Timing Parameters**

Parameter	Symbol	Min.	Max.	Units
Clock Input Frequency <sup>(1)</sup>	$f_{PP}$	-	50	MHz
Clock Low Pulse Width	$t_{WL}$	6	-	ns
Clock High Pulse Width	$t_{WH}$	7	-	

Parameter	Symbol	Min.	Max.	Units
Clock Rise Time	$t_{LH}$	0	5	
Clock Fall Time	$t_{HL}$	0	5	
Input Setup Time	$t_{ISU}$	6	-	
Input Hold Time	$t_{IH}$	8	-	
Output Delay <sup>(2)</sup>	$t_{ODLY}$	3	11	

**Note:**

1. Maximum clock frequency specified is limited by the SDIO Slave interface internal design; actual maximum clock frequency can be lower and depends on the specific PCB layout.
2. Timing based on 15 pF output loading.

## 5. Power Management

### 5.1 Device States

The ATWILC3000-MR110CA module has multiple device states, based on the state of the IEEE 802.11 and Bluetooth subsystems. It is possible for both subsystems to be active at the same time. To simplify the device power consumption breakdown, the following basic states are defined. One subsystem can be active at a time:

- WiFi\_ON\_Transmit – Device actively transmits IEEE 802.11 signal
- WiFi\_ON\_Receive – Device actively receives IEEE 802.11 signal
- BT\_ON\_Transmit – Device actively transmits Bluetooth signal
- BT\_ON\_Receive – Device actively receives Bluetooth signal
- Doze – Device is powered on but it does not actively transmit or receive data
- Power\_Down – Device core supply is powered off

### 5.2 Controlling Device States

Table 4-1 shows how to switch between the device states using the following:

- CHIP\_EN – Module pin (pin 19) enables or disables the DC/DC converter
- VDDIO – I/O supply voltage from external supply

In the ON states, VDDIO is ON and CHIP\_EN is high (at VDDIO voltage level). To change from the ON states to Power\_Down state, connect the RESETN and CHIP\_EN pin to logic low (GND) by following the power down sequence mentioned in Figure 5-1. When VDDIO is OFF and CHIP\_EN is low, the chip is powered off with no leakage.

**Table 5-1. Current Consumption of ATWILC3000-MR110CA Module in Various Device States**

Device State	Code Rate	Output Power (dBm)	Current Consumption <sup>(1)</sup>	
			I <sub>VBAT</sub>	I <sub>VDDIO</sub>
ON_WiFi_Transmit	802.11b 1 Mbps	17.0	272 mA	23.9 mA
	802.11b 11 Mbps	18.5	269 mA	23.9 mA
	802.11g 6 Mbps	17.5	281 mA	23.9 mA
	802.11g 54 Mbps	16.0	234 mA	23.9 mA
	802.11n MCS 0	17.0	280 mA	23.9 mA
	802.11n MCS 7	13.0	229 mA	23.9 mA
ON_WiFi_Receive	802.11b 1 Mbps	N/A	60.5 mA	23.6 mA
	802.11b 11 Mbps	N/A	60.5 mA	23.6 mA
	802.11g 6 Mbps	N/A	60.5 mA	23.6 mA
	802.11g 54 Mbps	N/A	60.5 mA	23.6 mA
	802.11n MCS 0	N/A	60.5 mA	23.6 mA

Device State	Code Rate	Output Power (dBm)	Current Consumption <sup>(1)</sup>	
			I <sub>VBAT</sub>	I <sub>VDDIO</sub>
	802.11n MCS 7	N/A	60.6 mA	23.6 mA
ON_BT_Transmit	BLE 4.0 1 Mbps	1.5	98.6 mA	2.5 mA
ON_BT_Receive	BLE 4.0 1 Mbps	N/A	69.1 mA	2.5 mA
Doze	N/A	N/A	1.4 mA <sup>(2)</sup>	
Power_Down	N/A	N/A	1.25 uA <sup>(2)</sup>	

**Note:**

1. Conditions: VBAT = 3.3V, VDDIO = 3.3V, at 25°C.
2. Current consumption mentioned for these states is the sum of current consumed in VDDIO and VBAT voltage rails.

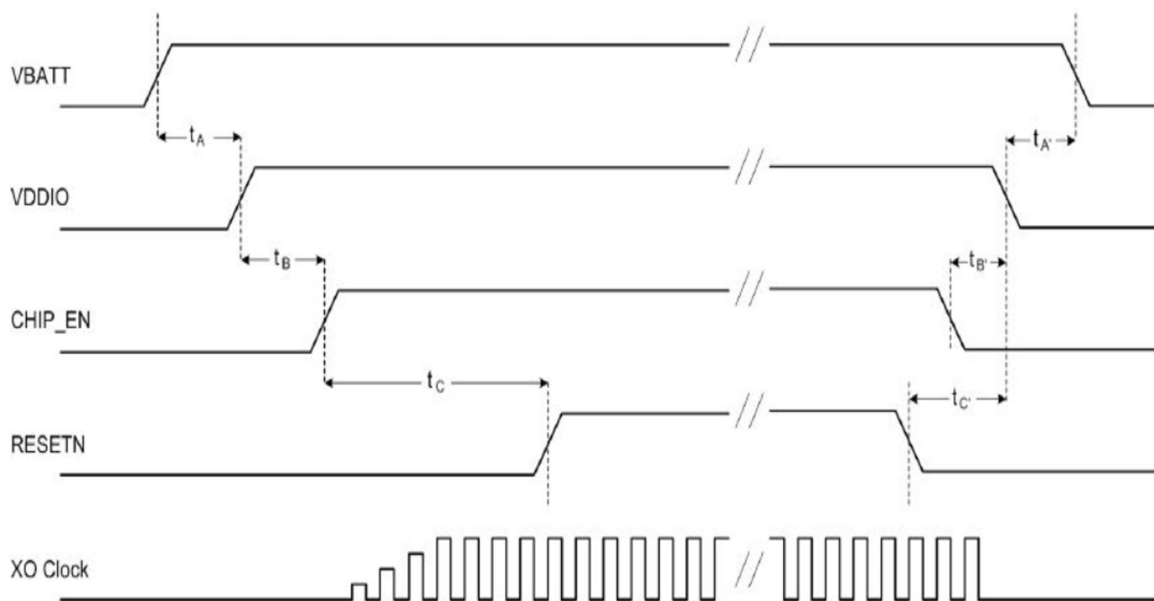
When power is not supplied to the device (DC/DC converter output and VDDIO are OFF, at ground potential), voltage cannot be applied to the ATWILC3000-MR110CA module pins because each pin contains an ESD diode from the pin to supply. This diode turns on when voltage higher than one diode-drop is supplied to the pin.

If voltage must be applied to the signal pads when the chip is in a low-power state, the VDDIO supply must be ON, so the Power\_Down state must be used. Similarly, to prevent the pin-to-ground diode from turning ON, do not apply voltage that is more than one diode-drop below the ground to any pin.

### 5.3 Power-Up/Down Sequence

The following figure illustrates the power-up/down sequence for the ATWILC3000-MR110CA module.

**Figure 5-1. Power-Up/Down Sequence**



The following table provides power-up/down sequence timing parameters.



**Table 5-2. Power-Up/Down Sequence Timing**

Parameter	Min.	Max.	Units	Description	Notes
t <sub>A</sub>	0	-	ms	VBAT rise to VDDIO rise	VBAT and VDDIO can rise simultaneously or connected together. VDDIO must not rise before VBAT.
t <sub>B</sub>	0	-	ms	VDDIO rise to CHIP_EN rise	CHIP_EN must not rise before VDDIO. CHIP_EN must be driven high or low and must not be left floating.
t <sub>C</sub>	5	-	ms	CHIP_EN rise to RESETN rise	This delay is required to stabilize the XO clock before RESETN removal. RESETN must be driven high or low and must not be left floating.
t <sub>A'</sub>	0	-	ms	VDDIO fall to VBAT fall	VBAT and VDDIO fall simultaneously or connected together. VBAT must not fall before VDDIO.
t <sub>B'</sub>	0	-	ms	CHIP_EN fall to VDDIO fall	VDDIO must not fall before CHIP_EN. CHIP_EN and RESETN must fall simultaneously.
t <sub>C'</sub>	0	-	ms	RESETN fall to VDDIO fall	VDDIO must not fall before RESETN. RESETN and CHIP_EN fall simultaneously.

#### 5.4 Digital I/O Pin Behavior During Power-Up Sequences

The following table represents the digital I/O pin states corresponding to the device power modes.

**Table 5-3. Digital I/O Pin Behavior in Different Device States**

Device State	VDDIO	CHIP_EN	RESETN	Output Driver	Input Driver	Pull Up/Down Resistor (96 kOhm)
Power_Down: core supply OFF	High	Low	Low	Disabled (Hi-Z)	Disabled	Disabled
Power-On Reset: core supply and hard reset ON	High	High	Low	Disabled (Hi-Z)	Disabled	Enabled
Power-On Default: core supply ON, device out of reset and not programmed	High	High	High	Disabled (Hi-Z)	Enabled	Enabled
On_Doze/ On_Transmit/	High	High	High	Programmed by firmware for each pin: enabled or disabled	Opposite of Output Driver state	Programmed by firmware for each pin: enabled or disabled

Device State	VDDIO	CHIP_EN	RESETN	Output Driver	Input Driver	Pull Up/Down Resistor (96 kOhm)
On_Receive: core supply ON, device programmed by firmware						

## 6. Clocking

### 6.1 Low-Power Clock

The ATWILC3000-MR110CA module requires an external 32.768 kHz clock to be supplied at the module pin 20. This clock is used during the sleep operation. The frequency accuracy of this external clock must be within  $\pm 500$  ppm.

## **7. CPU and Memory Subsystem**

### **7.1 Processor**

The ATWILC3000-MR110CA module has two Cortus APS3 32-bit processors, one is used for Wi-Fi and the other is used for Bluetooth. In IEEE 802.11 mode, the processor performs many of the MAC functions, including but not limited to: association, authentication, power management, security key management, and MSDU aggregation/de-aggregation. In addition, the processor provides flexibility for various modes of operation, such as Station (STA) and Access Point (AP) modes. In Bluetooth mode, the processor handles multiple tasks of the Bluetooth protocol stack.

### **7.2 Memory Subsystem**

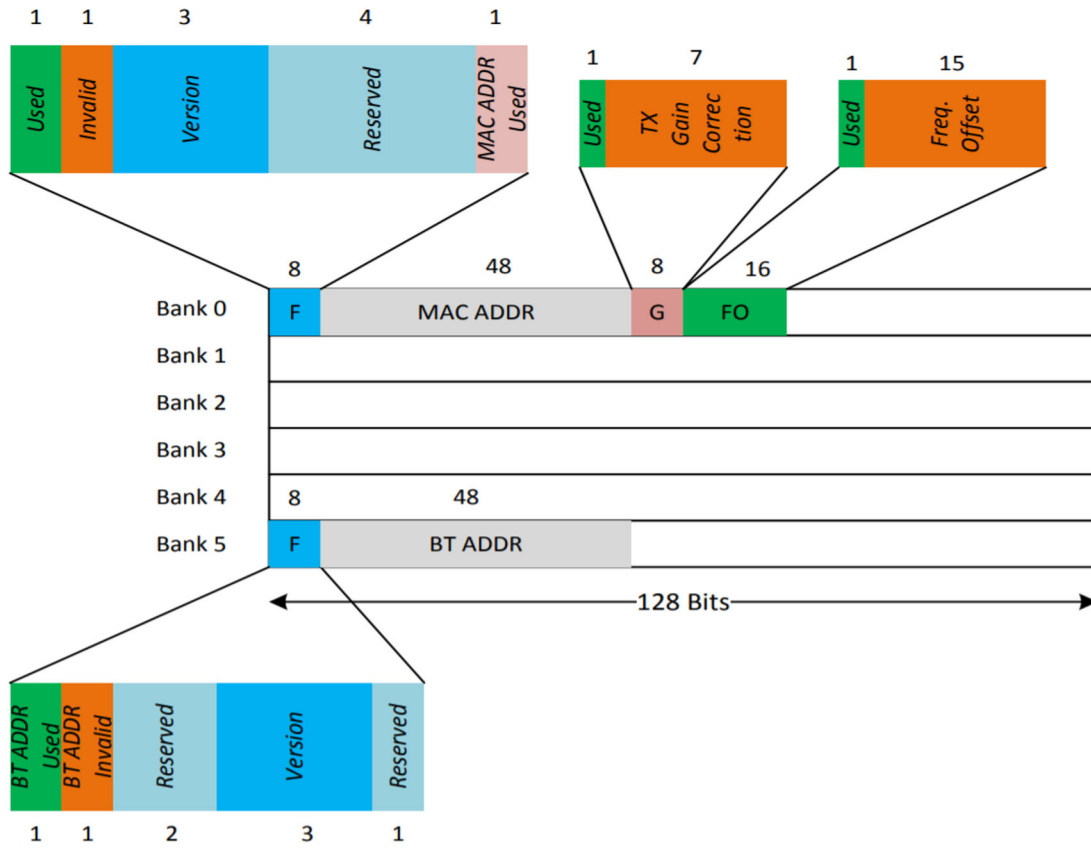
The APS3 core uses a 256 KB instruction/boot ROM (160 KB for IEEE 802.11 and 96 KB for Bluetooth) along with a 420 KB instruction RAM (128 KB for IEEE 802.11 and 292 KB for Bluetooth), and a 128 KB data RAM (64 KB for IEEE 802.11 and 64 KB for Bluetooth). In addition, the device uses a 160 KB shared/exchange RAM (128 KB for IEEE 802.11 and 32 KB for Bluetooth), accessible by the processor and MAC, which allows the processor to perform various data management tasks on the Tx and Rx data packets.

### **7.3 Nonvolatile Memory**

The ATWILC3000-MR110CA module has 768 bits of nonvolatile eFuse memory that can be read by the CPU after device reset. This nonvolatile One-Time-Programmable (OTP) memory can be used to store customer-specific parameters, such as 802.11 MAC address and Bluetooth address; various calibration information such as Tx power, crystal frequency offset, and other software-specific configuration parameters. The eFuse is partitioned into six 128-bit banks. The bit map of the first and last banks is shown in [Figure 6-1](#). The purpose of the first 80 bits in bank 0 and the first 56 bits in bank 5 is fixed, and the remaining bits are general-purpose software dependent bits, reserved for future use. Currently, the Bluetooth address is derived from the Wi-Fi MAC address ( $BT\_ADDR=MAC\_ADDR+1$ ). This eliminates the need to program the first 56 bits in bank 5. Since each bank and each bit can be programmed independently, this allows for several updates of the device parameters following the initial programming. For example, if the MAC address has to be changed, Bank 1 has to be programmed with the new MAC address along with the values of TX gain correction and frequency offset if they are used and programmed in the Bank 0. The contents of Bank 0 have to be invalidated in this case by programming the Invalid bit in the Bank 0. This will allow the firmware to use the MAC address from Bank 1.

By default, ATWILC3000-MR110CA modules are programmed with the MAC address and the frequency offset bits of Bank 0.

Figure 7-1. ATWILC3000-MR110CA eFuse Bit Map



## 8. WLAN Subsystem

The WLAN subsystem is composed of the Media Access Controller (MAC), Physical Layer (PHY), and the radio.

### 8.1 MAC

The ATWILC3000-MR110CA module is designed to operate at low power, while providing high data throughput. The IEEE 802.11 MAC functions are implemented with a combination of dedicated datapath engines, hardwired control logic, and a low power, high-efficiency microprocessor. The combination of dedicated logic with a programmable processor provides optimal power efficiency and real time response while providing the flexibility to accommodate evolving standards and future feature enhancements.

The dedicated datapath engines are used to implement datapath functions with heavy computational requirements. For example, a Frame Check Sequence (FCS) engine checks the Cyclic Redundancy Check (CRC) of the transmitting and receiving packets, and a cipher engine performs all the required encryption and decryption operations for the WEP, WPA-TKIP, WPA2 CCMP-AES and WPA2 Enterprise security requirements.

Control functions, which have real time requirements, are implemented using hardwired control logic modules. These logic modules offer real time response while maintaining configurability through the processor. Examples of hardwired control logic modules are the channel access control module (implements EDCA/HCCA, Beacon Tx control, interframe spacing, and so on), protocol timer module (responsible for the Network Access vector, back-off timing, timing synchronization function, and slot management), MAC Protocol Data Unit (MPDU) handling module, aggregation/deaggregation module, block ACK controller (implements the protocol requirements for burst block communication), and Tx/Rx control Finite State Machine (FSM) (coordinates data movement between PHY and MAC interface, cipher engine, and the Direct Memory Access (DMA) interface to the Tx/Rx FIFOs).

The following are the characteristics of MAC functions implemented solely in software on the microprocessor:

- Functions with high memory requirements or complex data structures. Examples include association table management and power save queuing.
- Functions with low computational load or without critical real time requirements. Examples include authentication and association.
- Functions that require flexibility and upgradeability. Examples include beacon frame processing and QoS scheduling.

#### Features

The ATWILC3000 IEEE 802.11 MAC supports the following functions:

- IEEE 802.11b/g/n
- IEEE 802.11e WMM QoS EDCA/HCCA/PCF multiple access categories traffic scheduling
- Advanced IEEE 802.11n features:
  - Transmission and reception of aggregated MPDUs (A-MPDU)
  - Transmission and reception of aggregated MSDUs (A-MSDU)
  - Immediate block acknowledgement
  - Reduced Interframe Spacing (RIFS)
- IEEE 802.11i and WPA security with key management:

- WEP 64/128
- WPA-TKIP
- 128-bit WPA2 CCMP (AES)
- WPA2 Enterprise
- Advanced power management:
  - Standard IEEE 802.11 power save mode
  - Wi-Fi alliance WMM-PS (U-APSD)
- RTS-CTS and CTS-self support
- Either STA or AP mode in the infrastructure basic service set mode
- Concurrent mode of operation
- Independent Basic Service Set (IBSS)

## 8.2 PHY

The ATWILC3000-MR110CA module WLAN PHY is designed to achieve reliable and power-efficient physical layer communication specified by IEEE 802.11 b/g/n in single stream mode with 20 MHz bandwidth. The advanced algorithms are used to achieve maximum throughput in a real world communication environment with impairments and interference. The PHY implements all the required functions such as Fast Fourier Transform (FFT), filtering, Forward Error Correction (FEC) that is a Viterbi decoder, frequency, timing acquisition and tracking, channel estimation and equalization, carrier sensing, clear channel assessment and automatic gain control.

### Features

The IEEE 802.11 PHY supports the following functions:

- Single antenna 1x1 stream in 20 MHz channels
- Supports IEEE 802.11b DSSS-CCK modulation: 1, 2, 5.5, and 11 Mbps
- Supports IEEE 802.11g OFDM modulation: 6, 9, 12, 18, 24, 36, 48, and 54 Mbps
- Supports IEEE 802.11n HT modulations MCS0-7, 20 MHz, 800 and 400ns guard interval: 6.5, 7.2, 13.0, 14.4, 19.5, 21.7, 26.0, 28.9, 39.0, 43.3, 52.0, 57.8, 58.5, 65.0, and 72.2 Mbps
- IEEE 802.11n mixed mode operation
- Per packet Tx power control
- Advanced channel estimation/equalization, automatic gain control, CCA, carrier/symbol recovery and frame detection

## 8.3 Radio

This section presents information describing the properties and characteristics of the ATWILC3000-MR110CA and Wi-Fi radio transmit and receive performance capabilities of the device.

The performance measurements are taken at the RF pin assuming 50Ω impedance; the RF performance is guaranteed for room temperature of 25°C with a derating of 2-3dB at boundary conditions.

Measurements were taken under typical conditions: VBATT=3.3V; VDDIO=3.3V; temperature: +25°C

**Table 8-1. Features and Properties**

Feature	Description
Part Number	ATWILC3000-MR110CA
WLAN Standard	IEEE 802.11 b/g/n, Wi-Fi compliant
Host Interface	SPI, SDIO
Dimension	22.4 x 14.7 x 2.0 mm
Frequency Range	2.412GHz ~ 2.472GHz (2.4GHz ISM Band)
Number of Channels	11 for North America, and 13 for Europe and Japan
Modulation	802.11b: DQPSK, DBPSK, CCK 802.11g/n: OFDM /64-QAM, 16-QAM, QPSK, BPSK
Data Rate	802.11b: 1, 2, 5.5, 11Mbps 802.11g: 6, 9, 12, 18, 24, 36, 48, 54Mbps
Data Rate (20MHz, normal GI, 800ns)	802.11n: 6.5, 13, 19.5, 26, 39, 52, 58.5, 65Mbps
Data Rate (20MHz, short GI, 400ns)	802.11n: 7.2, 14.4, 21.7, 28.9, 43.3, 57.8, 65,72.2Mbps
Operating temperature	-40 to +85°C



## **9. Bluetooth Subsystem**

The Bluetooth Subsystem implements all the mission critical real-time functions required for full compliance with specification of the Bluetooth System, v4.0, Bluetooth SIG. The baseband controller consists of a modem and a Medium Access Controller (MAC) which encodes/decodes HCI packets, constructs baseband data packages, and manages and monitors connection status, slot usage, data flow, routing, segmentation, and buffer control.

The Bluetooth Subsystem performs Link Control Layer management supporting the following states:

- Standby
- Connection
- Page and Page Scan
- Inquiry and Inquiry Scan
- Sniff

### **9.1 Bluetooth 4.0**

#### **Features:**

- Extended Inquiry Response (EIR)
- Encryption Pause/Resume (EPR)
- Sniff Sub-Rating (SSR)
- Secure Simple Pairing (SSP)
- Link Supervision Time Out (LSTO)
- Link Management Protocol (LMP)
- Quality of Service (QOS)

### **9.2 Features**

- Supports different device roles: Broadcaster, Central, Observer, Peripheral
- Supports Frequency Hopping
- Handles Advertising/Data/Control packet types
- Supports Encryption (AES-128,SHA-256)
- Supports Bitstream processing (CRC, whitening)

## 10. External Interfaces

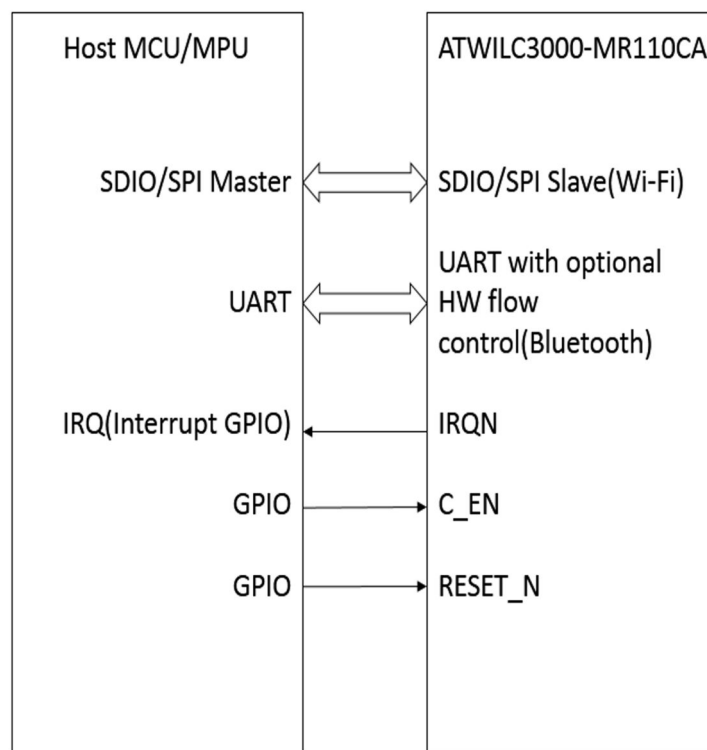
The ATWILC3000-MR110CA module supports the following external interfaces:

- SPI Slave, and SDIO Slave for IEEE 802.11 control and data transfer
- UART for Bluetooth control, and data transfer
- I<sup>2</sup>C Slave for control
- UART for IEEE 802.11 debug logs
- SPI Master for external Flash
- General Purpose Input/Output (GPIO) pins
- PCM Interface

### 10.1 Interfacing with the Host Microcontroller

This section describes how to interface the ATWILC3000-MR110CA module with the host microcontroller. The interface comprises of a Slave SPI/SDIO and additional control signals, as shown in the figure. Additional control signals are connected to the GPIO/IRQ interface of the microcontroller.

**Figure 10-1. Interfacing with the Host Microcontroller**



**Table 10-1. Host Microcontroller Interface Pins**

Module Pin	Function <sup>(1)</sup>
7	RESET_N
33	IRQ_N

Module Pin	Function <sup>(1)</sup>
19	CHIP_EN
25	SPI_SSN/SD_DATA1
26	SPI_MOSI/SD_DATA2
24	SPI_MISO/SD_DATA0
23	SPI_SCK/SD_CMD
27	SD_DATA3
22	SD_CLK
8	BT_UART_TXD
9	BT_UART_RXD
10	BT_UART_RTS
11	BT_UART_CTS

**Note:**

1. Logic input for module pin SDIO\_SPI\_CFG(2) determines whether SDIO or SPI slave interface is enabled. Connect SDIO\_SPI\_CFG to VDDIO through a 1MΩ resistor to enable the SPI interface. Connect SDIO\_SPI\_CFG to ground to enable SDIO interface.
2. It is recommended to add test points for module pins BT\_UART\_TXD(J8), BT\_UART\_RXD(J9), I2C\_SDA\_S(J10), I2C\_SCL\_S(J11), UART\_TXD(J16) and UART\_RXD(J17) in the design.

## 10.2 SDIO Slave Interface

The ATWILC3000-MR110CA module SDIO Slave is a full speed interface. This interface supports the 1-bit/4-bit SD transfer mode at the clock range of 0-50 MHz. The Host can use this interface to read and write from any register within the chip, as well as configure the ATWILC3000-MR110CA module for DMA data transfer. To use this interface, pin 2 (SDIO\_SPI\_CFG) must be connected to ground. The following table provides the SDIO Slave pins mapped in the ATWILC3000-MR110CA module.

**Table 10-2. SDIO Interface Pin Mapping**

Pin #	SPI Function
2	CFG: Must be connected to ground
27	DAT3: Data 3
26	DAT2: Data 2
25	DAT1: Data 1
24	DAT0: Data 0
23	CMD: Command
22	CLK: Clock

When the SDIO card is inserted into an SDIO aware Host, the detection of the card is through the means described in SDIO specification. During the normal initialization and interrogation of the card by the Host, the card identifies itself as an SDIO device. The Host software obtains the card information in a tuple

(linked list) format and determines if that card's I/O function(s) are acceptable to activate. If the card is acceptable, it is allowed to power-up fully and start the I/O function(s) built into it.

The SD memory card communication is based on an advanced 9-pin interface (clock, command, 4 data lines, and 3 power lines) designed to operate at maximum operating frequency of 50 MHz.

## Features

- Supports SDIO card specification version 2.0
- Host clock rate is variable between 0 and 50 MHz
- Supports 1-bit/4-bit SD bus modes
- Allows card to interrupt Host
- Responds to direct read/write (IO52) and extended read/write (IO53) transactions
- Supports suspend/resume operation

## 10.3 SPI Slave Interface

The ATWILC3000-MR110CA module provides a Serial Peripheral Interface (SPI) that operates as a SPI Slave. The SPI Slave interface can be used for control and for serial I/O of IEEE 802.11 data. The SPI Slave pins are mapped as shown in the following table. The RXD pin is same as Master Output, Slave Input (MOSI), and the TXD pin is same as Master Input, Slave Output (MISO). The SPI Slave is a full-duplex slave-synchronous serial interface that is available immediately following reset when pin 2 (SDIO\_SPI\_CFG) is tied to VDDIO.

**Table 10-3. SPI Slave Interface Pin Mapping**

Pin #	SPI Function
2	CFG: Must be connected to VDDIO
25	SSN: Active Low Slave Select
23	SCK: Serial Clock
26	RXD: Serial Data Receive (MOSI)
24	TXD: Serial Data Transmit (MISO)

When the SPI is not selected, that is, when SSN is high, the SPI interface will not interfere with data transfers between the serial master and other serial slave devices. When the serial slave is not selected, its transmitted data output is buffered, resulting in a high impedance drive onto the serial master receive line.

The SPI Slave interface responds to a protocol that allows an external Host to read or write any register in the chip and initiate DMA data transfers.

### 10.3.1 SPI Slave Mode

The SPI Slave interface supports four standard modes as determined by the Clock Polarity (CPOL) and Clock Phase (CPHA) settings. These modes are illustrated in [Table 9-5](#) and [Figure 9-2](#). In [Figure 9-2](#), the red lines correspond to Clock Phase = 0 and the blue lines correspond to Clock Phase = 1.

**Table 10-4. SPI Slave Mode**

Mode	CPOL	CPHA
0	0	0
1	0	1
2	1	0
3	1	1

## 10.4 I<sup>2</sup>C Slave Interface

The I<sup>2</sup>C Slave interface is a two-wire serial interface consisting of a Serial Data Line (SDA) on module pin 10 and a serial clock line (SCL) on module pin 11. This interface is used for debugging of the ATWILC3000-MR110CA module. I<sup>2</sup>C Slave responds to the seven bit address value 0x60. The ATWILC3000-MR110CA module I<sup>2</sup>C supports I<sup>2</sup>C bus Version 2.1 - 2000 and can operate in standard mode (with data rates up to 100 kbps) and fast mode (with data rates up to 400 kbps).

**Note:** For specific information on I<sup>2</sup>C bus, refer to the Philips Specification entitled “The I<sup>2</sup>C-Bus Specification, Version 2.1”.

The I<sup>2</sup>C Slave is a synchronous serial interface. The SDA line is a bidirectional signal and changes only while the SCL line is low, except for STOP, START, and RESTART conditions. The output drivers are open-drain to perform wire-AND functions on the bus. The maximum number of devices on the bus is limited by only the maximum capacitance specification of 400pF. Data is transmitted in byte packages.

## 10.5 UART Debug Interface

The ATWILC3000-MR110CA module provides Universal Asynchronous Receiver/Transmitter (UART) interfaces for serial communication in both IEEE 802.11 and Bluetooth subsystems.

- The Bluetooth subsystem has two UART interfaces: a 4-pin interface for control and data transfer (BT UART1), and a 2-pin interface for debugging (BT UART2).
- The IEEE 802.11 subsystem has one 2-pin UART interface (Wi-Fi UART), which can be used for debugging.

The UART interfaces are compatible with the RS-232 standard, and the ATWILC3000-MR110CA module operates as a Data Terminal Equipment (DTE) type device. The 2-pin UART uses receive and transmit pins (RXD and TXD). The 4-pin UART uses two pins for data (TXD and RXD) and two pins for flow control/handshaking: Request To Send (RTS) and Clear To Send (CTS).

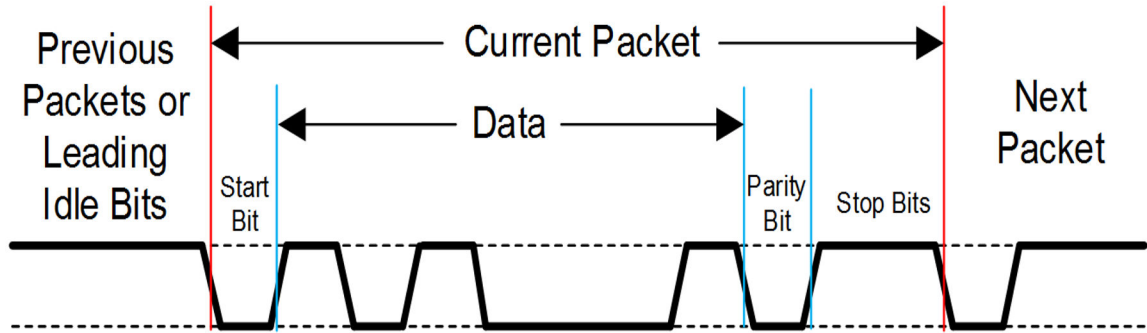
BT UART1 is available in module pins 8 (TXD), 9 (RXD), 10 (RTS) and 11 (CTS). Wi-Fi UART is available in module pins 16 (TXD) and 17 (RXD).



**Important:** The RTS and CTS pins of BT UART1 are used for hardware flow control. These pins must be connected to the Host MCU UART and could be optionally enabled.

An example of UART receiving or transmitting a single packet is shown in following figure. This example shows 7-bit data (0x45), odd parity, and two stop bits.

Figure 10-2. Example of UART Rx or Tx Packet



### 10.6 SPI Master Interface

The ATWILC3000-MR110CA provides a SPI Master interface for accessing external flash memory. The SPI Master pins are mapped as shown in the table below. The TXD pin is same as Master Output, Slave Input (MOSI), and the RXD pin is same as Master Input, Slave Output (MISO). The SPI Master interface supports all four standard modes of clock polarity and clock phases shown in [SPI Slave Mode](#). External SPI Flash memory is accessed by a processor programming commands to the SPI Master interface, which in turn initiates a SPI Master access to the Flash.

Table 10-5. SPI Master Interface Pin Mapping

Pin #	Pin Name	SPI Function
23	SPI_SCK	Serial Clock Output
25	SPI_SSN	Active Low Slave Select Output
26	SPI_RXD	RXD: Serial Data Transmit Output (MISO)
24	SPI_TXD	TXD: Serial Data Receive Input (MOSI)

### 10.7 PCM Interface

The ATWILC3000-MR110CA module provides a PCM/IOM interface for Bluetooth audio. This interface is compatible with industry standard PCM and IOM2 compliant devices, such as audio codecs, line interfaces, Time-Division Multiplexing (TDM) switches, and others. The PCM audio interface supports both Master and Slave modes, full duplex operation, mono and stereo. The interface operates at 8 kHz frame rate and supports bit rates up to 512 bits/frame (4.096 Mbps). The PCM interface pins are mapped as shown in following table.

Table 10-6. ATWILC3000-MR110CA Module PCM Interface Pin Mapping

Pin #	PCM Function
29	CLK: Bidirectional clock input/output
30	SYNC: Bidirectional Frame sync (mono) or Left-Right Channel identifier (stereo)

Pin #	PCM Function
31	D_IN: Serial data input
32	D_OUT: Serial data output

## 10.8 GPIOs

The eight General Purpose Input/Output (GPIO) pins, labeled GPIO 3-4, GPIO 7-8 and GPIO 17-20, are allowed to perform specific functions of an application. Each GPIO pin can be programmed as an input (the value of the pin can be read by the Host or internal processor) or as an output (the output values can be programmed by the host or internal processor), where the default mode after power-up is input. GPIOs 7 and 8 are only available when the Host does not use the SDIO interface, which shares two of its pins with these GPIOs. Therefore, for SDIO-based applications, six GPIOs (3-4 and 17-20) are available.

## 10.9 Internal Pull up Resistors

ATWILC3000-MR110CA provides programmable pull-up resistors on various pins . The purpose of these resistors is to keep any unused input pins from floating which can cause excess current to flow through the input buffer from the VDDIO supply. Any unused pin on the device should leave these pull-up resistors enabled so the pin will not float.

The default state at power up is for the pull-up resistor to be enabled. However, any pin, which is used, should have the pull-up resistor disabled. The reason for this is that if any pins are driven to a low level while the device is in the low power sleep state, current will flow from the VDDIO supply through the pull-up resistors, increasing the current consumption of the module.

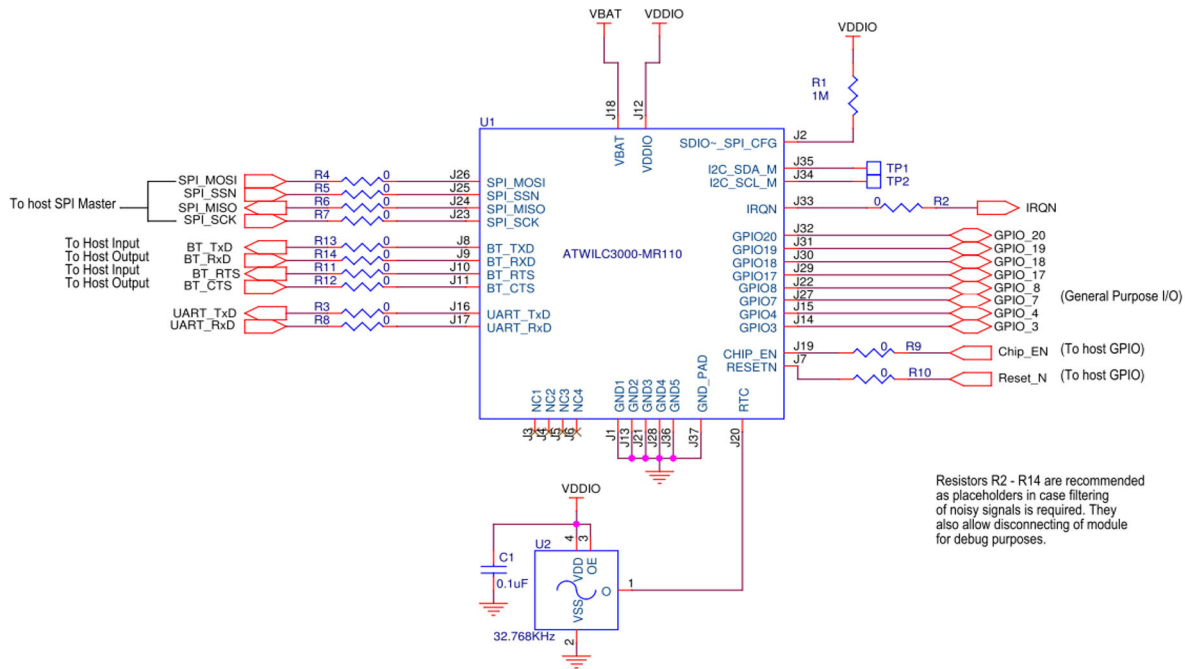
Since the value of the pull-up resistor is approximately 100K $\Omega$ , the current through any pull-up resistor that is being driven low will be  $VDDIO/100K$ . For  $VDDIO = 3.3V$ , the current would be approximately 33 $\mu A$ . Pins which are used and have had the programmable pull-up resistor disabled should always be actively driven to either a high or low level and not be allowed to float.

## 11. Application Reference Design

The ATWILC3000-MR110CA module application schematics for different supported host interfaces i.e., SPI and SDIO are shown in this section.

### 11.1 Host Interface - SPI

**Figure 11-1. ATWILC3000-MR110CA Reference Schematic for SPI Operation**



**Note:** It is recommended to add test points for module pins J8, J9, J10, J11, J16 and J17 in the design. The following table provides the reference Bill of Material details for the ATWILC3000-MR110CA module with SPI as host interface.

**Table 11-1. ATWILC3000-MR110CA Reference Bill of Materials for SPI operation**

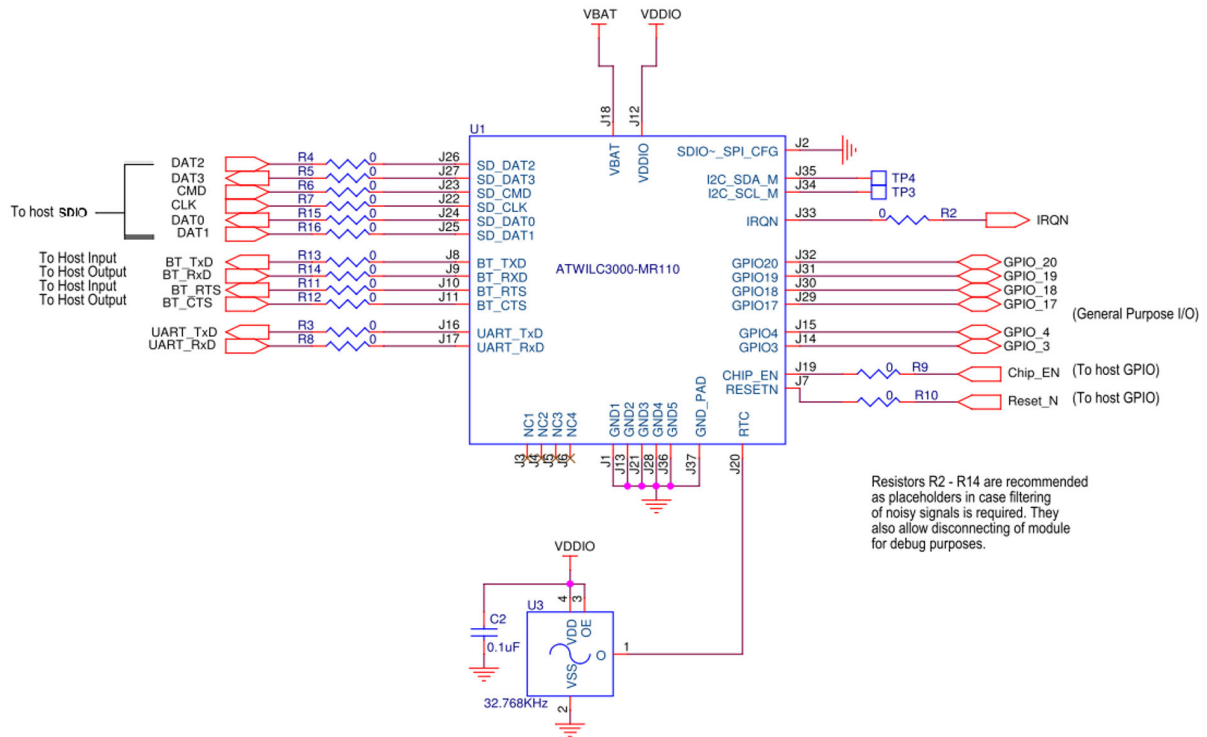
Item	Quantity	Reference	Value	Description	Manufacturer	Part Number	Footprint
1	1	U1	ATWILC3000-MR110CA	Wi-Fi/Bluetooth/BLE Combo Module	Microchip Technology Inc.®	ATWILC3000-MR110CA	Custom
2	1	U2	ASH7KW-32.768kHz-L-T	Oscillator, 32.768 kHz, +0/-175 ppm, 1.2V-5.5V, -40°C - +85°C, 3.2x1.5 mm	Abracon® Corporation	ASH7KW-32.768kHz-L-T	OSCCC320X150X100-4N



Item	Quantity	Reference	Value	Description	Manufacturer	Part Number	Footprint
3	1	R1	1M	RESISTOR, Thick Film, 1 MOhm, 0201	Panasonic	ERJ-1GEJ105C	RS0201
4	13	R2-R14	0	RESISTOR, Thick Film, 0 Ohm, 0201	Panasonic	ERJ-1GN0R00C	RS0201

## 11.2 Host Interface - SDIO

**Figure 11-2. ATWILC3000-MR110CA Application Schematic for SDIO Operation**



**Note:** It is recommended to add test points for module pins J8, J9, J10, J11, J16 and J17 in the design.

The following table provides SDIO reference Bill of Material details for the ATWILC3000-MR110CA module with SDIO as host interface.

**Table 11-2. ATWILC3000-MR110CA Reference Bill of Materials for SDIO operation**

Item	Quantity	Reference	Value	Description	Manufacturer	Part Number	Footprint
1	1	U1	ATWILC3000-MR110CA	Wi-Fi®/ Bluetooth®/B	Microchip Technology Inc.®	ATWILC3000-MR110CA	Custom

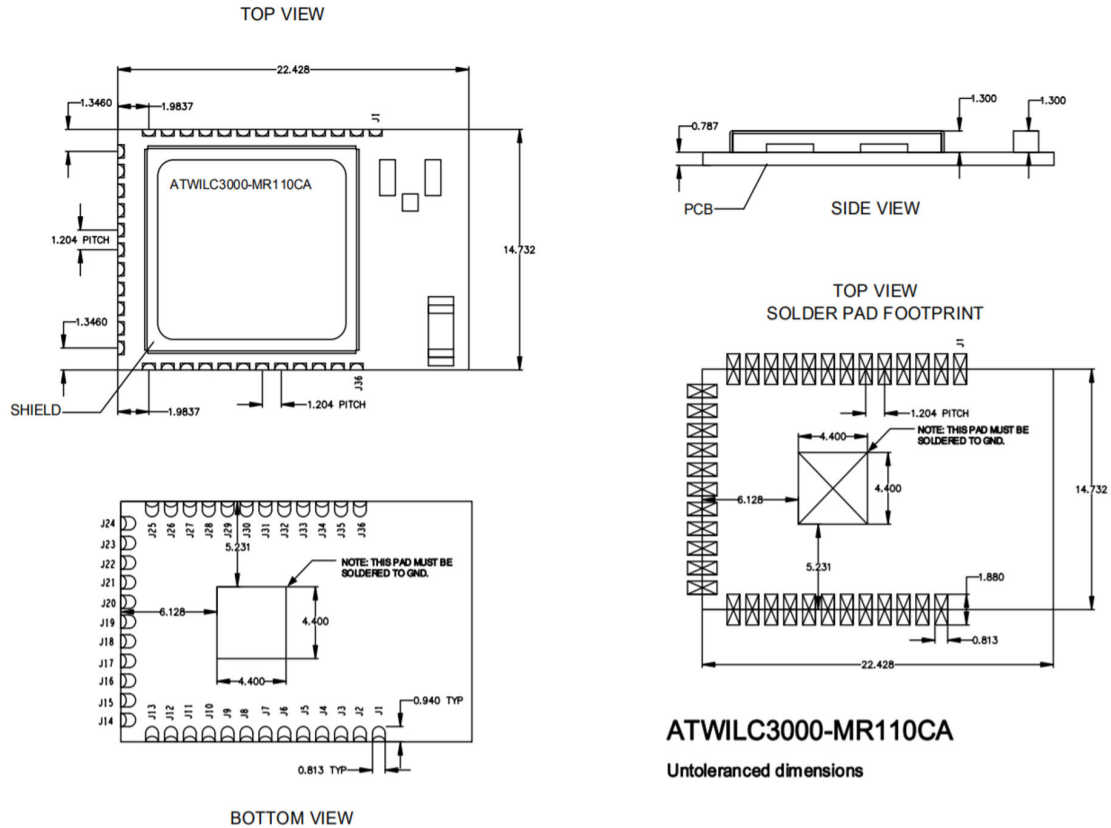
# ATWILC3000-MR110CA

Item	Quantity	Reference	Value	Description	Manufacturer	Part Number	Footprint
				LE Combo Module			
2	1	U3	ASH7KW-3 2.768kHz- L-T	Oscillator, 32.768 kHz, +0/-175 ppm, 1.2V to 5.5V, -40°C to +85°C, 3.2x1.5 mm	Abrakon® Corporation	ASH7KW-32. 768kHz-L-T	OSCCC320 X150X100- 4N
3	13	R2-R14	0	RESISTOR, Thick Film, 0 Ohm, 0201	Panasonic	ERJ-1GN0R 00C	RS0201

## 12. Module Outline Drawings

The ATWILC3000-MR110CA module package details are outlined in the following figure.

**Figure 12-1. ATWILC3000-MR110CA Footprint and Module Package Drawings - Top , Bottom and Side view**



**Note:**

1. Dimensions are in mm.
2. It is recommended to have a 5x5 grid of GND vias solidly connecting the exposed GND paddle of the module to the ground plane on the inner/other layers of the host board. This will provide a good ground and thermal transfer for the ATWILC3000-MR110CA module.

## 13. Design Consideration

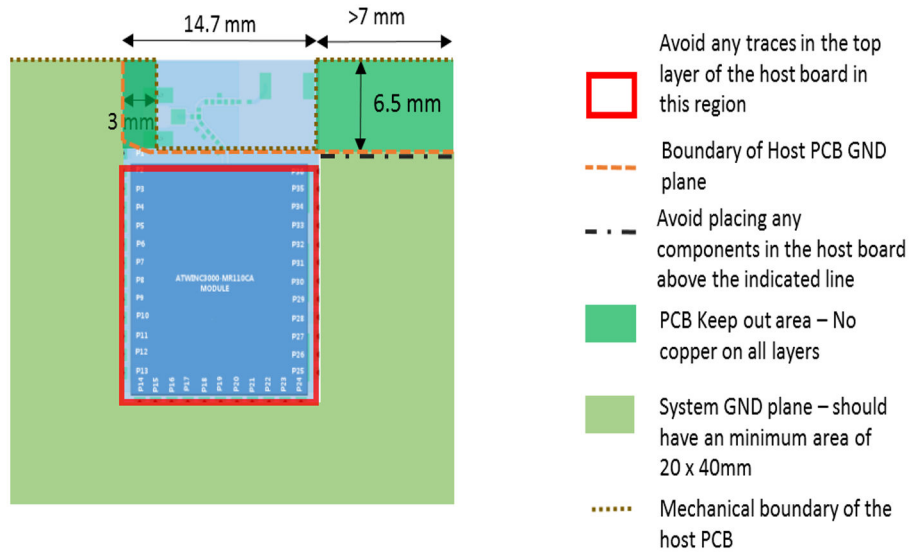
This section provides the guidelines on module placement and routing to achieve the best performance.

### 13.1 Module Placement and Routing Guidelines

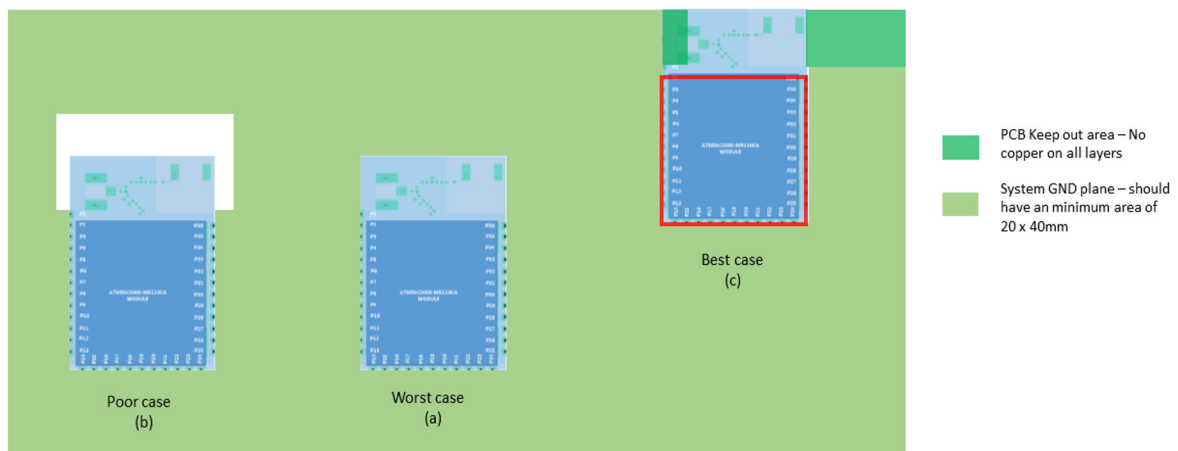
It is critical to follow the recommendations listed below to achieve the best RF performance:

- The module must be placed on the host board and the chip antenna area must not overlap with the host board. The portion of the module containing the antenna must not stick out over the edge of the host board. [Figure 13-2](#) shows the best, poor and worst case module placements in host board. **Note:** Do not place the module in the middle of the host board or far away from the host board edge.
- Follow the mechanical recommendations as shown in [Figure 13-1](#). The antenna is specifically tuned to the mechanical recommendations depicted in [Figure 13-1](#). The host PCB should have a thickness of 1.5mm.
- Follow the module placement and keepout recommendation as shown in [Figure 13-1](#)
  - Avoid routing any traces in the highlighted region on the top layer of the host board which will be directly below the module area.
  - Follow the electrical keepout layer recommendation as shown in [Figure 13-1](#). There should be no copper in all layers of the host board in this region. Avoid placing any components (like mechanical spacers, bump on etc) in the area above the line indicated in the [Figure 13-1](#).
  - Place GND polygon pour below the module with the recommended boundary in the top layer of the host board as shown in [Figure 13-1](#). Do not have any breaks in this GND plane. The GND polygon pour in the top layer of the host board should have a minimum area of 20 x 40 mm.
  - Place sufficient GND vias in the highlighted area below the module for better RF performance.
  - It is recommended to have a 5x5 grid of GND vias solidly connecting the exposed GND paddle of the module to the ground plane on the inner/other layers of the host board. This will act as a good ground and thermal conduction path for the ATWILC3000-MR110CA module. The GND vias should have a minimum via hole size of 0.2mm.
  - Antenna on the module should not be placed in direct contact or close proximity to plastic casing/objects. Keep a minimum clearance of >7mm in all directions around the chip antenna.
- Do not enclose the antenna within a metal shield.
- Keep any components which may radiate noise or signals within the 2.4 GHz to 2.5 GHz frequency band away from the antenna and if possible, shield those components. Any noise radiated from the host board in this frequency band will degrade the sensitivity of the module.
- Make sure the width of the traces routed to GND, VDDIO and VBAT rails are sufficiently larger for handling the peak Tx current consumption.

**Figure 13-1. ATWILC3000-MR110CA Placement Reference**



**Figure 13-2. ATWILC3000-MR110CA Placement Examples**



## 13.2 Antenna Performance

ATWILC3000-MR110CA uses a chip antenna which is fed via matching network. The table below lists the technical specification of the chip antenna.

**Table 13-1. Chip antenna specification**

Parameter	Value
Peak gain	0.5 dBi
Operating Frequency	2400 - 2500 MHz
Antenna P/N	AT3216-B2R7HAA
Antenna vendor	ACX

### Antenna Radiation Pattern

Following figures illustrate the antenna radiation pattern measured for the ATWILC3000-MR110CA module mounted in the ATWILC3000-SHLD evaluation kit. During the measurement, the chip antenna is placed in the XZ plane with Y axis being perpendicular to the module and pointing to the back of the module.

**Figure 13-3. Antenna radiation pattern when Phi=0 degree**

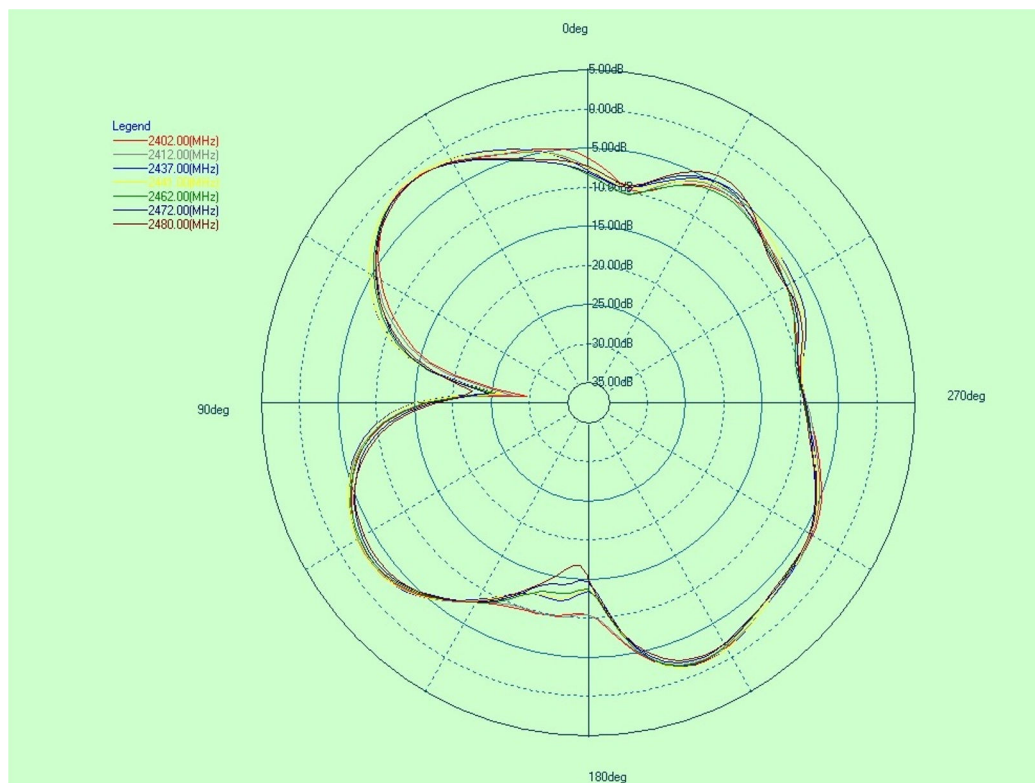


Figure 13-4. Antenna radiation pattern when Phi=90 degree

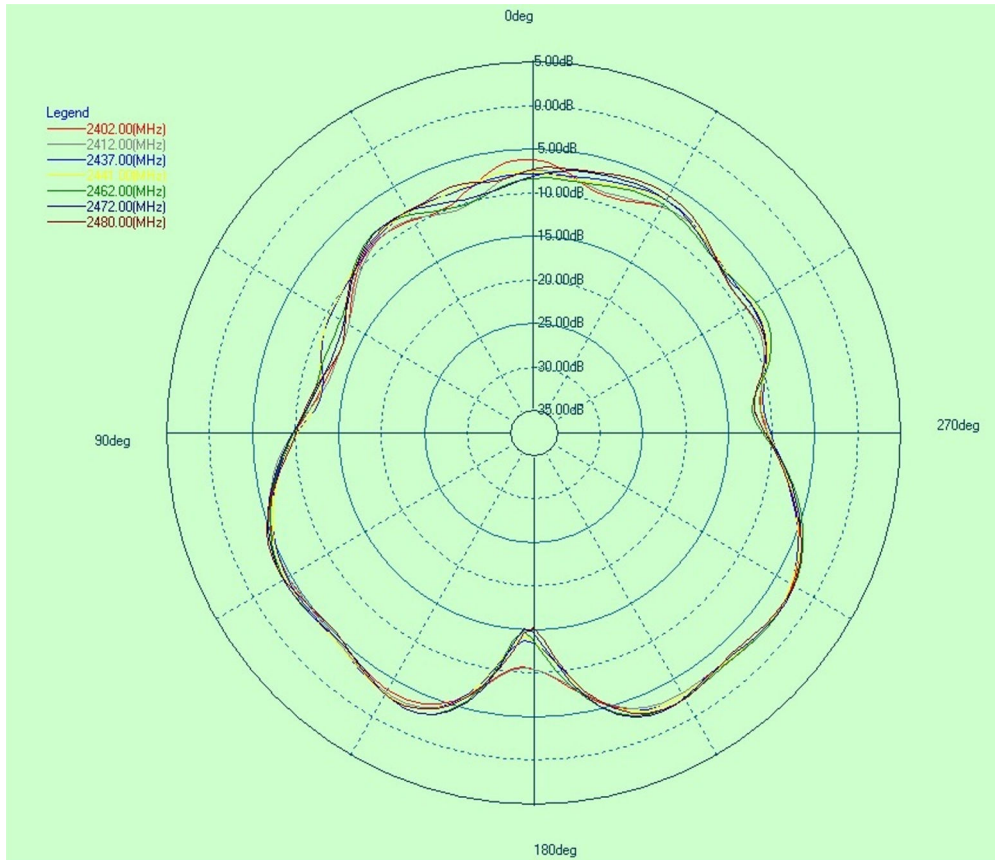
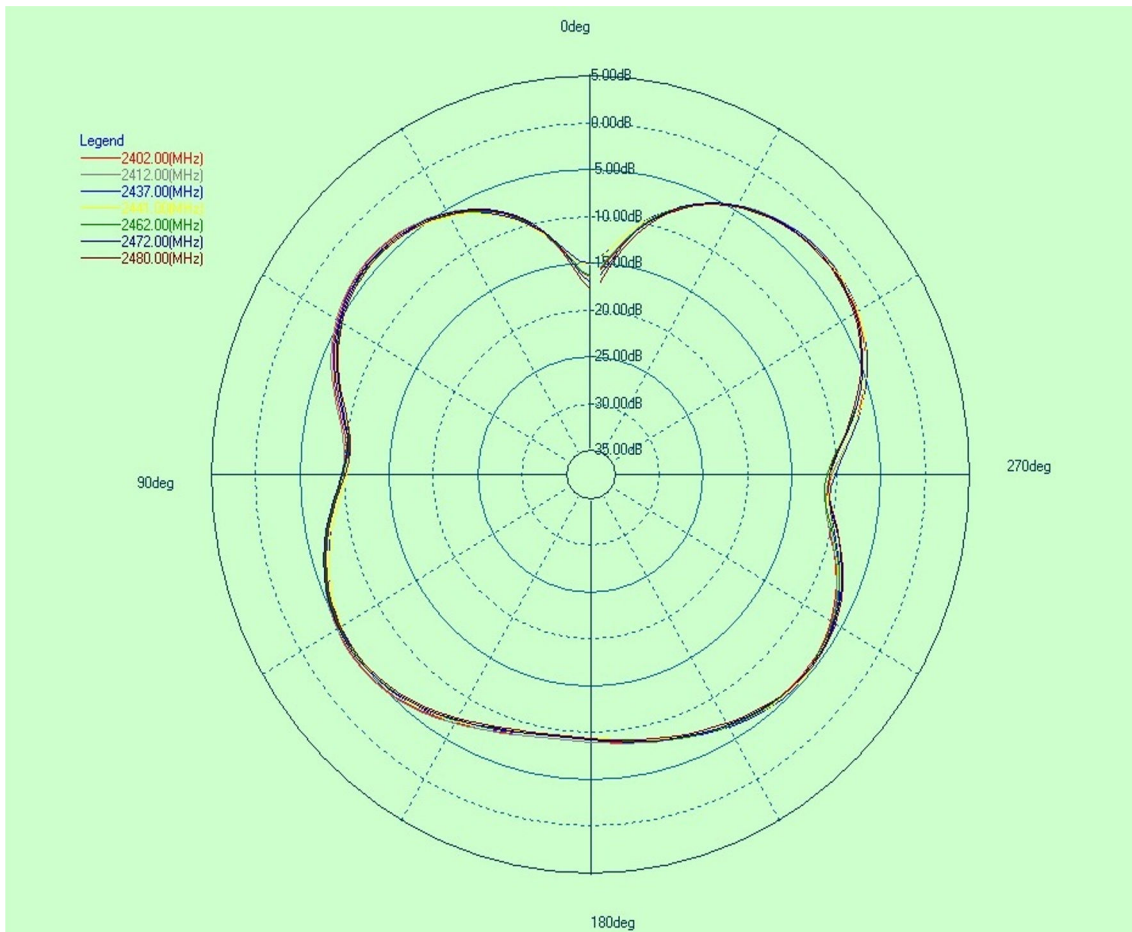


Figure 13-5. Antenna radiation pattern when Theta=90 degree





## 14. Reflow Profile Information

This section provides the guidelines for the reflow process to get the module soldered to the customer's design.

### 14.1 Storage Condition

#### 14.1.1 Moisture Barrier Bag Before Opening

A moisture barrier bag must be stored at a temperature of less than 30°C with humidity under 85% RH.

The calculated shelf life for the dry-packed product is 12 months from the date the bag is sealed.

#### 14.1.2 Moisture Barrier Bag Open

Humidity indicator cards must be blue, < 30%.

### 14.2 Solder Paste

The SnAgCu eutectic solder with melting temperature of 217°C is most commonly used for lead-free solder reflow application. This alloy is widely accepted in the semiconductor industry due to its low cost, relatively low melting temperature, and good thermal fatigue resistance. Some recommended pastes include NC-SMQ® 230 flux and Indalloy® 241 solder paste made up of 95.5 Sn/3.8 Ag/0.7 Cu or SENJU N705-GRN3360-K2-V Type 3, no clean paste.

### 14.3 Stencil Design

The recommended stencil is laser-cut, stainless-steel type with thickness of 100 µm to 130 µm and approximately a 1:1 ratio of stencil opening to pad dimension. To improve paste release, a positive taper with bottom opening 25 µm larger than the top is utilized. Local manufacturing experience may find other combinations of stencil thickness and aperture size to get good results.

### 14.4 Baking Conditions

This module is rated at MSL level 3. After the sealed bag is opened, no baking is required within 168 hours as long as the devices are held at ≤ 30°C/60% RH or stored at < 10% RH.

The module requires baking before mounting if:

- The sealed bag has been open for more than 168 hours
- The humidity indicator card reads more than 10%
- SIPs need to be baked for eight hours at 125°C

### 14.5 Soldering and Reflow Condition

Optimization of the reflow process is the most critical factor considered for lead-free soldering. The development of an optimal profile must account the paste characteristics, the size of the board, the density of the components, the mix of the larger and smaller components, and the peak temperature requirements of the components. An optimized reflow process is the key to ensuring a successful lead-free assembly and achieves high yield and long-term solder joint reliability.

## Temperature Profiling

Temperature profiling must be performed for all new board designs by attaching thermocouples at the solder joints, on the top surface of the larger components, and at multiple locations of the boards. This is to ensure that all components are heated to a temperature above the minimum reflow temperatures and the smaller components do not exceed the maximum temperature limit. The SnAgCu solder alloy melts at ~217°C, so the reflow temperature peak at joint level must be 15 to 20°C higher than melting temperature. The targeted solder joint temperature for the SnAgCu solder must be ~235°C. For larger or sophisticated boards with a large mix of components, it is also important to ensure that the temperature difference across the board is less than 10 degrees to minimize board warpage. The maximum temperature at the component body must not exceed the MSL3 qualification specification.

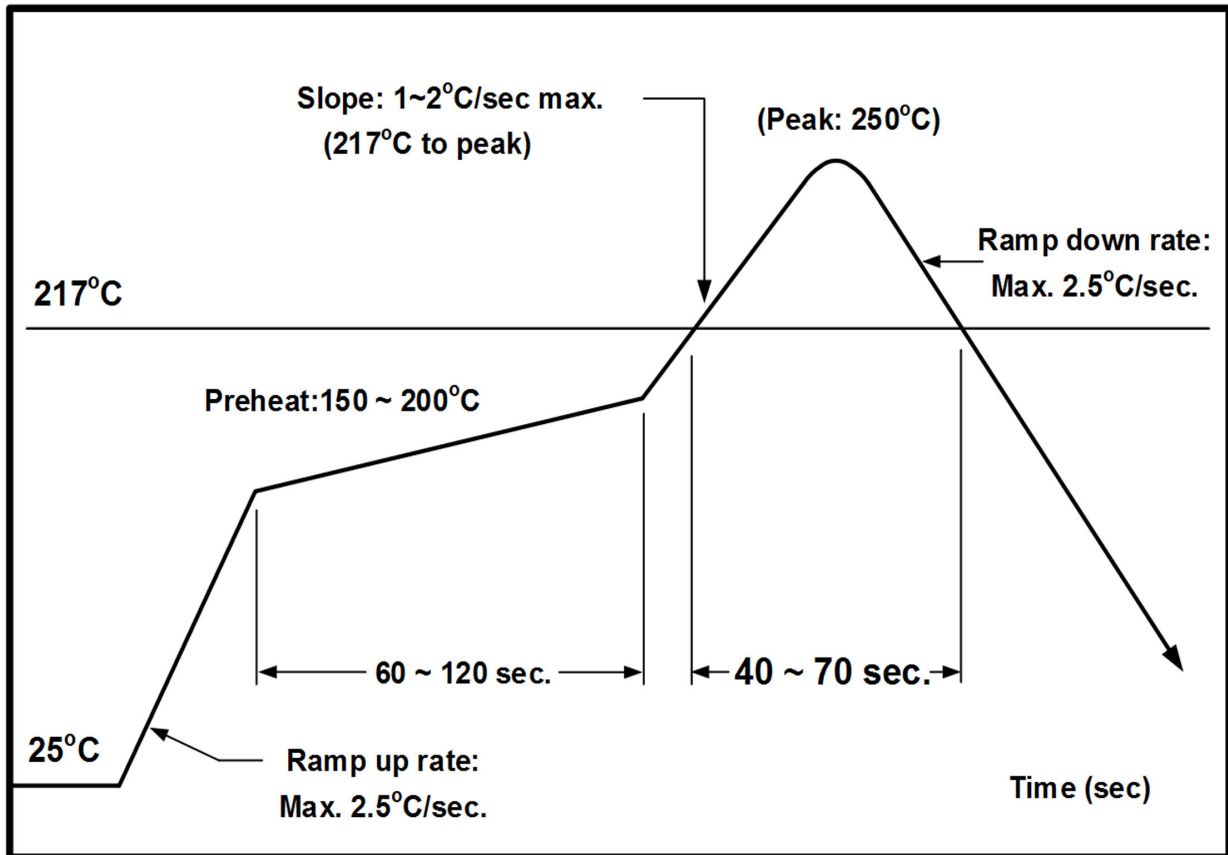
### 14.5.1 Reflow Oven

It is strongly recommended that a reflow oven equipped with more heating zones and Nitrogen atmosphere must be used for the lead-free assembly. The Nitrogen atmosphere is shown to improve the wet-ability and reduce temperature gradient across the board. It can also enhance the appearance of the solder joints by reducing the effects of oxidation.

The following items must also be observed in the reflow process:

1. Some recommended pastes include:
  - NC-SMQ® 230 flux and Indalloy® 241 solder paste made up of 95.5 Sn/3.8 Ag/0.7 Cu
  - SENJU N705-GRN3360-K2-V Type 3, no clean paste
2. Allowable reflow soldering iterations:
  - Three times based on the following reflow soldering profile (refer following figure).
3. Temperature profile:
  - Reflow soldering must be done according to the following temperature profile (refer to the following figure).
  - Peak temperature: 250°C

Figure 14-1. Solder Reflow Profile



### Cleaning

The exposed ground paddle helps to self-align the module, avoiding pad misalignment. The use of no clean solder pastes is recommended. As a result of reflow process, ensure to completely dry the no-clean paste fluxes. This may require longer reflow profiles and/or peak temperatures toward the high end of the process window as recommended by the solder paste vendor. It is believed that uncured flux residues can lead to corrosion and/or shorting in accelerated testing and possibly the field.

### Rework

The rework removes the mounted SIP package and replaces it with a new unit. It is recommended that once an ATWILC3000-MR110CA module is removed and it must never be reused. During the rework process, the mounted module and PCB are heated partially, and the module is removed. It is recommended to heat-protect the proximity of the mounted parts and junctions and use the best nozzle for rework that is suited to the module size.

## 15. Module Assembly Considerations

The ATWILC3000-MR110CA module is assembled with an EMI shield to ensure compliance with EMI emission and immunity rules. The EMI shield is made of a tin-plated steel (SPTE) and is not hermetically sealed. Solutions such as IPA and similar solvents can be used to clean this module. Cleaning solutions containing acid must never be used on the module.

The ATWILC3000-MR110CA module is manufactured without any conformal coating applied. It is the customer's responsibility if a conformal coating is specified and/or applied to this module.

## 16. Regulatory Approval

Regulatory approvals received:

ATWILC3000-MR110CA

- United States/FCC ID: 2ADHKWILC3000
- Canada/ISED
  - IC: 20266-ATWILC3000
  - HVIN: ATWILC3000-MR110CA
- Europe - CE

### 16.1 United States

The ATWILC3000-MR110CA module has received Federal Communications Commission (FCC) CFR47 Telecommunications, Part 15 Subpart C “Intentional Radiators” single-modular approval in accordance with Part 15.212 Modular Transmitter approval. Single-modular transmitter approval is defined as a complete RF transmission sub-assembly, designed to be incorporated into another device, that must demonstrate compliance with FCC rules and policies independent of any host. A transmitter with a modular grant can be installed in different end-use products (referred to as a host, host product, or host device) by the grantee or other equipment manufacturer, then the host product may not require additional testing or equipment authorization for the transmitter function provided by that specific module or limited module device.

The user must comply with all of the instructions provided by the Grantee, which indicate installation and/or operating conditions necessary for compliance.

A host product itself is required to comply with all other applicable FCC equipment authorization regulations, requirements, and equipment functions that are not associated with the transmitter module portion. For example, compliance must be demonstrated: to regulations for other transmitter components within a host product; to requirements for unintentional radiators (Part 15 Subpart B), such as digital devices, computer peripherals, radio receivers, etc.; and to additional authorization requirements for the non-transmitter functions on the transmitter module (i.e., Verification or Declaration of Conformity) as appropriate (e.g., Bluetooth and Wi-Fi transmitter modules may also contain digital logic functions).

#### 16.1.1 Labeling And User Information Requirements

The ATWILC3000-MR110CA module has been labeled with its own FCC ID number, and if the FCC ID is not visible when the module is installed inside another device, then the outside of the finished product into which the module is installed must display a label referring to the enclosed module. This exterior label can use wording as follows:

For the ATWILC3000-MR110CA:

**Contains Transmitter Module FCC ID: 2ADHKWILC3000 or**

Contains FCC ID: 2ADHKWILC3000

**This device complies with Part 15 of the FCC Rules. Operation is subject to the following two conditions: (1) this device may not cause harmful interference, and (2) this device must accept any interference received, including interference that may cause undesired operation**

A user's manual for the finished product should include the following statement:

This equipment has been tested and found to comply with the limits for a Class B digital device, pursuant to part 15 of the FCC Rules. These limits are designed to provide reasonable protection against harmful interference in a residential installation. This equipment generates, uses and can radiate radio frequency energy, and if not installed and used in accordance with the instructions, may cause harmful interference to radio communications. However, there is no guarantee that interference will not occur in a particular installation. If this equipment does cause harmful interference to radio or television reception, which can be determined by turning the equipment off and on, the user is encouraged to try to correct the interference by one or more of the following measures:

- Reorient or relocate the receiving antenna
- Increase the separation between the equipment and receiver
- Connect the equipment into an outlet on a circuit different from that to which the receiver is connected
- Consult the dealer or an experienced radio/TV technician for help

Additional information on labeling and user information requirements for Part 15 devices can be found in KDB Publication 784748, which is available at the FCC Office of Engineering and Technology (OET) Laboratory Division Knowledge Database (KDB) <https://apps.fcc.gov/oetcf/kdb/index.cfm>

## 16.1.2 RF Exposure

All transmitters regulated by FCC must comply with RF exposure requirements. KDB 447498 General RF Exposure Guidance provides guidance in determining whether proposed or existing transmitting facilities, operations or devices comply with limits for human exposure to Radio Frequency (RF) fields adopted by the Federal Communications Commission (FCC).

From the FCC Grant: Output power listed is conducted. This transmitter is restricted for use with the specific antenna(s) tested in this application for Certification.

The antenna(s) used with this transmitter must be installed to provide a separation distance of at least 6.8cm from all persons and must not be co-located or operating in conjunction with any other antenna or transmitter. Users and installers must be provided with antenna installation instructions and transmitter operating conditions for satisfying RF exposure compliance.

## 16.1.3 Helpful Web Sites

Federal Communications Commission (FCC): <http://www.fcc.gov>

FCC Office of Engineering and Technology (OET) Laboratory Division Knowledge Database (KDB): <https://apps.fcc.gov/oetcf/kdb/index.cfm>

## 16.2 Canada

The ATWILC3000-MR110CA module has been certified for use in Canada under Innovation, Science and Economic Development Canada (ISED, formerly Industry Canada) Radio Standards Procedure (RSP) RSP-100, Radio Standards Specification (RSS) RSS-Gen and RSS-247. Modular approval permits the installation of a module in a host device without the need to recertify the device.

### 16.2.1 Labeling and User Information Requirements

Label Requirements (from RSP-100 Issue 11, Section 3): The host device shall be properly labeled to identify the module within the host device.

Due to limited size of the ATWILC3000-MR110CA, the Innovation, Science and Economic Development Canada certification number is not displayed on the module. Therefore, the host device must be labeled

to display the Innovation, Science and Economic Development Canada certification number of the module, preceded by the words “Contains”, or similar wording expressing the same meaning, as follows:

For the ATWILC3000-MR110CA:

**Contains IC: 20266-ATWILC3000**

User Manual Notice for License-Exempt Radio Apparatus (from Section 8.4 RSS-Gen, Issue 4, November 2014): User manuals for license-exempt radio apparatus shall contain the following or equivalent notice in a conspicuous location in the user manual or alternatively on the device or both:

**This device complies with Industry Canada license exempt RSS standard(s). Operation is subject to the following two conditions:**

- (1) This device may not cause interference, and**
- (2) This device must accept any interference, including interference that may cause undesired operation of the device.**

**Le présent appareil est conforme aux CNR d'Industrie Canada applicables aux appareils radio exempts de licence. L'exploitation est autorisée aux deux conditions suivantes:**

- (1) l'appareil ne doit pas produire de brouillage, et**
- (2) l'utilisateur de l'appareil doit accepter tout brouillage radioélectrique subi, même si le brouillage est susceptible d'en compromettre le fonctionnement.**

Guidelines on Transmitter Antenna for License Exempt Radio Apparatus:

**Under Industry Canada regulations, this radio transmitter may only operate using an antenna of a type and maximum (or lesser) gain approved for the transmitter by Industry Canada. To reduce potential radio interference to other users, the antenna type and its gain should be so chosen that the equivalent isotropically radiated power (e.i.r.p.) is not more than that necessary for successful communication.**

**Conformément à la réglementation d'Industrie Canada, le présent émetteur radio peut fonctionner avec une antenne d'un type et d'un gain maximal (ou inférieur) approuvé pour l'émetteur par Industrie Canada. Dans le but de réduire les risques de brouillage radioélectrique à l'intention des autres utilisateurs, il faut choisir le type d'antenne et son gain de sorte que la puissance isotrope rayonnée équivalente (p.i.r.e.) ne dépasse pas l'intensité nécessaire à l'établissement d'une communication satisfaisante.**

## 16.2.2 RF Exposure

All transmitters regulated by Innovation, Science and Economic Development Canada (ISED) must comply with RF exposure requirements listed in RSS-102 - Radio Frequency (RF) Exposure Compliance of Radio communication Apparatus (All Frequency Bands).

This transmitter is restricted for use with a specific antenna tested in this application for certification, and must not be co-located or operating in conjunction with any other antenna or transmitters within a host device, except in accordance with Canada multi-transmitter product procedures.

The installation of the transmitter must ensure that the antenna has a separation distance of at least 6.8 cm from all persons or compliance must be demonstrated according to the ISED SAR procedures.

## 16.2.3 Helpful Web Sites

Innovation, Science and Economic Development Canada: <http://www.ic.gc.ca/>

## 16.3 Europe

The ATWILC3000-MR110CA module is a Radio Equipment Directive (RED) assessed radio module that is CE marked and has been manufactured and tested with the intention of being integrated into a final product.

The ATWILC3000-MR110CA module has been tested to RED 2014/53/EU Essential Requirements for Health and Safety (Article (3.1(a)), Electromagnetic Compatibility (EMC) (Article 3.1(b)), and Radio (Article 3.2) and are summarized in [Labeling and User Information Requirements](#).

The ETSI provides guidance on modular devices in “*Guide to the application of harmonised standards covering articles 3.1b and 3.2 of the RED 2014/53/EU (RED) to multi-radio and combined radio and non-radio equipment*” document available at [http://www.etsi.org/deliver/etsi\\_eg/203300\\_203399/203367/01.01.01\\_60/eg\\_203367v010101p.pdf](http://www.etsi.org/deliver/etsi_eg/203300_203399/203367/01.01.01_60/eg_203367v010101p.pdf).

**Note:** To maintain conformance to the testing listed in [Labeling and User Information Requirements](#) , the module shall be installed in accordance with the installation instructions in this data sheet and shall not be modified.

When integrating a radio module into a completed product the integrator becomes the manufacturer of the final product and is therefore responsible for demonstrating compliance of the final product with the essential requirements against the RED.

### 16.3.1 Labeling and User Information Requirements

The label on the final product which contains the ATWILC3000-MR110CA module must follow CE marking requirements.

**Table 16-1. European Compliance Testing (ATWILC3000-MR110CA)**

Certification	Standards	Article	Laboratory	Report Number	Date
Safety	EN60950-1:2006/A11:2009/ A1:2010/ A12:2011/A2:2013			10058448 001	2017-01-17
Health	EN300328 V1.9.1/ EN62311:2008	[3.1(a)]	TUV Rheinland, Taiwan	50067455 001	2017-01-18
	EN300328 V1.9.1/ EN62479:2010			50067456 001 50067457 001	2017-01-18
EMC	EN301489-1 V1.9.2	[3.1(b)]		10058429 002	2017-02-02
	EN301489-17 V2.2.1			10058429 003	2017-05-25
	EN301489-1 V2.1.1 EN301489-1 V2.2.0				
	EN301489-17 V3.1.1 EN301489-17 V3.2.0				
Radio	EN300328 V1.9.1	(3.2)	50067455 001 50067456 001 50067457 001	2017-01-18	
	EN300328 V2.1.1		50079310 001	2017-05-22	



Certification	Standards	Article	Laboratory	Report Number	Date
				50079363 001	
				50079350 001	

## 16.3.2 Conformity Assessment

From ETSI Guidance Note EG 203367, section 6.1 Non-radio products are combined with a radio product:

If the manufacturer of the combined equipment installs the radio product in a host non-radio product in equivalent assessment conditions (i.e. host equivalent to the one used for the assessment of the radio product) and according to the installation instructions for the radio product, then no additional assessment of the combined equipment against article 3.2 of the RED is required.

The European Compliance Testing listed in the [Labeling and User Information Requirements](#) was performed using the integral chip antenna.

### 16.3.2.1 Simplified EU Declaration of Conformity

Hereby, Microchip Technology Inc. declares that the radio equipment type ATWILC3000-MR110CA is in compliance with Directive 2014/53/EU.

The full text of the EU declaration of conformity for this product is available at <http://www.microchip.com/design-centers/wireless-connectivity/>.

## 16.3.3 Helpful Websites

A document that can be used as a starting point in understanding the use of Short Range Devices (SRD) in Europe is the European Radio Communications Committee (ERC) Recommendation 70-03 E, which can be downloaded from the European Communications Committee (ECC) at: <http://www.ecodocdb.dk/>.

Additional helpful web sites are:

- Radio Equipment Directive (2014/53/EU): [https://ec.europa.eu/growth/single-market/european-standards/harmonised-standards/rte\\_en](https://ec.europa.eu/growth/single-market/european-standards/harmonised-standards/rte_en)
- European Conference of Postal and Telecommunications Administrations (CEPT): <http://www.cept.org>
- European Telecommunications Standards Institute (ETSI): <http://www.etsi.org>
- The Radio Equipment Directive Compliance Association (REDCA): <http://www.redca.eu/>

## 16.3.4 Other Regulatory Information

- For information on the other countries jurisdictions covered, refer to the <http://www.microchip.com/design-centers/wireless-connectivity>
- Should other regulatory jurisdiction certification be required by the customer, or the customer need to recertify the module for other reasons, contact Microchip for the required utilities and documentation

## 17. Reference documentation

The following table provides the set of collateral documents to ease integration and device ramp.

**Table 17-1. Reference documents**

Title	Content
Wi-Fi Link Controller Linux user Guide	Getting started package, which includes: Quick start guide, Hardware limitations and notes, and software quick start guidelines.
Wi-Fi Link Controller Linux Porting Guide	This user guide describes how to port the ATWILC1000 and ATWILC3000 Linux drivers to another platform and contains all the required modifications for driver porting.

**Note:**

For a complete listing of development-support tools and documentation, visit <http://www.microchip.com/wwwproducts/en/ATWILC3000#documents> or refer to the customer support section on options to the nearest Microchip field representative.

## 18. Document Revision History

### Rev B - 08/2017

Section	Changes
Document	<ul style="list-style-type: none"> <li>• Removed references to WAPI</li> <li>• Added WFA certification details</li> <li>• Updated block diagram in <a href="#">Block Diagram</a></li> <li>• Updated Pin description in <a href="#">Table 3-1</a></li> <li>• Removed Crystal oscialltor parameters as the module contains an built-in 26MHz crystal</li> <li>• Revised the description in <a href="#">Processor</a></li> <li>• Revised the description in <a href="#">Nonvolatile Memory</a></li> <li>• Revised the numbers in <a href="#">Transmitter Performance</a>, <a href="#">Receiver Performance</a></li> <li>• Removed performance data for Bluetooth classic</li> <li>• Added <a href="#">Interfacing with the Host Microcontroller</a></li> <li>• Updated reference schematic for SPI interface in <a href="#">Host Interface - SPI</a></li> <li>• Added <a href="#">Design Consideration</a></li> <li>• Added <a href="#">Regulatory Approval</a></li> <li>• Added <a href="#">Reference documentation</a></li> <li>• Replaced Atmel document 42569</li> </ul>

### Rev A - 03/2016

Section	Changes
Document	Initial Release

## The Microchip Web Site

---

Microchip provides online support via our web site at <http://www.microchip.com/>. This web site is used as a means to make files and information easily available to customers. Accessible by using your favorite Internet browser, the web site contains the following information:

- **Product Support** – Data sheets and errata, application notes and sample programs, design resources, user's guides and hardware support documents, latest software releases and archived software
- **General Technical Support** – Frequently Asked Questions (FAQ), technical support requests, online discussion groups, Microchip consultant program member listing
- **Business of Microchip** – Product selector and ordering guides, latest Microchip press releases, listing of seminars and events, listings of Microchip sales offices, distributors and factory representatives

## Customer Change Notification Service

---

Microchip's customer notification service helps keep customers current on Microchip products. Subscribers will receive e-mail notification whenever there are changes, updates, revisions or errata related to a specified product family or development tool of interest.

To register, access the Microchip web site at <http://www.microchip.com/>. Under "Support", click on "Customer Change Notification" and follow the registration instructions.

## Customer Support

---

Users of Microchip products can receive assistance through several channels:

- Distributor or Representative
- Local Sales Office
- Field Application Engineer (FAE)
- Technical Support

Customers should contact their distributor, representative or Field Application Engineer (FAE) for support. Local sales offices are also available to help customers. A listing of sales offices and locations is included in the back of this document.

Technical support is available through the web site at: <http://www.microchip.com/support>

## Product Identification System

To order or obtain information, e.g., on pricing or delivery, refer to the factory or the listed sales office.

**PART NO.**    [X]<sup>(1)</sup>    -    X    /XX    XXX  
 Device    Tape and Reel    Temperature    Package    Pattern  
           Option                    Range

Device:	PIC16F18313, PIC16LF18313, PIC16F18323, PIC16LF18323	
Tape and Reel Option:	Blank	= Standard packaging (tube or tray)
	T	= Tape and Reel <sup>(1)</sup>
Temperature Range:	I	= -40°C to +85°C (Industrial)
	E	= -40°C to +125°C (Extended)
Package: <sup>(2)</sup>	JQ	= UQFN
	P	= PDIP
	ST	= TSSOP
	SL	= SOIC-14
	SN	= SOIC-8
	RF	= UDFN
Pattern:	QTP, SQTP, Code or Special Requirements (blank otherwise)	

Examples:

- PIC16LF18313- I/P Industrial temperature, PDIP package
- PIC16F18313- E/SS Extended temperature, SSOP package

### Note:

1. Tape and Reel identifier only appears in the catalog part number description. This identifier is used for ordering purposes and is not printed on the device package. Check with your Microchip Sales Office for package availability with the Tape and Reel option.
2. Small form-factor packaging options may be available. Please check <http://www.microchip.com/packaging> for small-form factor package availability, or contact your local Sales Office.

## Microchip Devices Code Protection Feature

Note the following details of the code protection feature on Microchip devices:

- Microchip products meet the specification contained in their particular Microchip Data Sheet.
- Microchip believes that its family of products is one of the most secure families of its kind on the market today, when used in the intended manner and under normal conditions.
- There are dishonest and possibly illegal methods used to breach the code protection feature. All of these methods, to our knowledge, require using the Microchip products in a manner outside the operating specifications contained in Microchip's Data Sheets. Most likely, the person doing so is engaged in theft of intellectual property.
- Microchip is willing to work with the customer who is concerned about the integrity of their code.

- Neither Microchip nor any other semiconductor manufacturer can guarantee the security of their code. Code protection does not mean that we are guaranteeing the product as “unbreakable.”

Code protection is constantly evolving. We at Microchip are committed to continuously improving the code protection features of our products. Attempts to break Microchip’s code protection feature may be a violation of the Digital Millennium Copyright Act. If such acts allow unauthorized access to your software or other copyrighted work, you may have a right to sue for relief under that Act.

## Legal Notice

---

Information contained in this publication regarding device applications and the like is provided only for your convenience and may be superseded by updates. It is your responsibility to ensure that your application meets with your specifications. MICROCHIP MAKES NO REPRESENTATIONS OR WARRANTIES OF ANY KIND WHETHER EXPRESS OR IMPLIED, WRITTEN OR ORAL, STATUTORY OR OTHERWISE, RELATED TO THE INFORMATION, INCLUDING BUT NOT LIMITED TO ITS CONDITION, QUALITY, PERFORMANCE, MERCHANTABILITY OR FITNESS FOR PURPOSE. Microchip disclaims all liability arising from this information and its use. Use of Microchip devices in life support and/or safety applications is entirely at the buyer’s risk, and the buyer agrees to defend, indemnify and hold harmless Microchip from any and all damages, claims, suits, or expenses resulting from such use. No licenses are conveyed, implicitly or otherwise, under any Microchip intellectual property rights unless otherwise stated.

## Trademarks

---

The Microchip name and logo, the Microchip logo, AnyRate, AVR, AVR logo, AVR Freaks, BeaconThings, BitCloud, CryptoMemory, CryptoRF, dsPIC, FlashFlex, flexPWR, Heldo, JukeBlox, KeeLoq, KeeLoq logo, Klear, LANCheck, LINK MD, maXStylus, maXTouch, MediaLB, megaAVR, MOST, MOST logo, MPLAB, OptoLyzer, PIC, picoPower, PICSTART, PIC32 logo, Prochip Designer, QTouch, RightTouch, SAM-BA, SpyNIC, SST, SST Logo, SuperFlash, tinyAVR, UNI/O, and XMEGA are registered trademarks of Microchip Technology Incorporated in the U.S.A. and other countries.

ClockWorks, The Embedded Control Solutions Company, EtherSynch, Hyper Speed Control, HyperLight Load, IntelliMOS, mTouch, Precision Edge, and Quiet-Wire are registered trademarks of Microchip Technology Incorporated in the U.S.A.

Adjacent Key Suppression, AKS, Analog-for-the-Digital Age, Any Capacitor, AnyIn, AnyOut, BodyCom, chipKIT, chipKIT logo, CodeGuard, CryptoAuthentication, CryptoCompanion, CryptoController, dsPICDEM, dsPICDEM.net, Dynamic Average Matching, DAM, ECAN, EtherGREEN, In-Circuit Serial Programming, ICSP, Inter-Chip Connectivity, JitterBlocker, KlearNet, KlearNet logo, Mindi, MiWi, motorBench, MPASM, MPF, MPLAB Certified logo, MPLIB, MPLINK, MultiTRAK, NetDetach, Omniscient Code Generation, PICDEM, PICDEM.net, PICKit, PICTail, PureSilicon, QMatrix, RightTouch logo, REAL ICE, Ripple Blocker, SAM-ICE, Serial Quad I/O, SMART-I.S., SQI, SuperSwitcher, SuperSwitcher II, Total Endurance, TSHARC, USBCheck, VariSense, ViewSpan, WiperLock, Wireless DNA, and ZENA are trademarks of Microchip Technology Incorporated in the U.S.A. and other countries.

SQTP is a service mark of Microchip Technology Incorporated in the U.S.A.

Silicon Storage Technology is a registered trademark of Microchip Technology Inc. in other countries.

GestIC is a registered trademark of Microchip Technology Germany II GmbH & Co. KG, a subsidiary of Microchip Technology Inc., in other countries.

All other trademarks mentioned herein are property of their respective companies.

© 2017, Microchip Technology Incorporated, Printed in the U.S.A., All Rights Reserved.

ISBN: 978-1-5224-2036-1

## Quality Management System Certified by DNV

---

### ISO/TS 16949

Microchip received ISO/TS-16949:2009 certification for its worldwide headquarters, design and wafer fabrication facilities in Chandler and Tempe, Arizona; Gresham, Oregon and design centers in California and India. The Company's quality system processes and procedures are for its PIC<sup>®</sup> MCUs and dsPIC<sup>®</sup> DSCs, KEELOQ<sup>®</sup> code hopping devices, Serial EEPROMs, microperipherals, nonvolatile memory and analog products. In addition, Microchip's quality system for the design and manufacture of development systems is ISO 9001:2000 certified.

## Worldwide Sales and Service

AMERICAS	ASIA/PACIFIC	ASIA/PACIFIC	EUROPE
<p><b>Corporate Office</b> 2355 West Chandler Blvd. Chandler, AZ 85224-6199 Tel: 480-792-7200 Fax: 480-792-7277 Technical Support: <a href="http://www.microchip.com/support">http://www.microchip.com/support</a> Web Address: <a href="http://www.microchip.com">www.microchip.com</a></p> <p><b>Atlanta</b> Duluth, GA Tel: 678-957-9614 Fax: 678-957-1455</p> <p><b>Austin, TX</b> Tel: 512-257-3370</p> <p><b>Boston</b> Westborough, MA Tel: 774-760-0087 Fax: 774-760-0088</p> <p><b>Chicago</b> Itasca, IL Tel: 630-285-0071 Fax: 630-285-0075</p> <p><b>Dallas</b> Addison, TX Tel: 972-818-7423 Fax: 972-818-2924</p> <p><b>Detroit</b> Novi, MI Tel: 248-848-4000</p> <p><b>Houston, TX</b> Tel: 281-894-5983</p> <p><b>Indianapolis</b> Noblesville, IN Tel: 317-773-8323 Fax: 317-773-5453 Tel: 317-536-2380</p> <p><b>Los Angeles</b> Mission Viejo, CA Tel: 949-462-9523 Fax: 949-462-9608 Tel: 951-273-7800</p> <p><b>Raleigh, NC</b> Tel: 919-844-7510</p> <p><b>New York, NY</b> Tel: 631-435-6000</p> <p><b>San Jose, CA</b> Tel: 408-735-9110 Tel: 408-436-4270</p> <p><b>Canada - Toronto</b> Tel: 905-695-1980 Fax: 905-695-2078</p>	<p><b>Asia Pacific Office</b> Suites 3707-14, 37th Floor Tower 6, The Gateway Harbour City, Kowloon</p> <p><b>Hong Kong</b> Tel: 852-2943-5100 Fax: 852-2401-3431</p> <p><b>Australia - Sydney</b> Tel: 61-2-9868-6733 Fax: 61-2-9868-6755</p> <p><b>China - Beijing</b> Tel: 86-10-8569-7000 Fax: 86-10-8528-2104</p> <p><b>China - Chengdu</b> Tel: 86-28-8665-5511 Fax: 86-28-8665-7889</p> <p><b>China - Chongqing</b> Tel: 86-23-8980-9588 Fax: 86-23-8980-9500</p> <p><b>China - Dongguan</b> Tel: 86-769-8702-9880</p> <p><b>China - Guangzhou</b> Tel: 86-20-8755-8029</p> <p><b>China - Hangzhou</b> Tel: 86-571-8792-8115 Fax: 86-571-8792-8116</p> <p><b>China - Hong Kong SAR</b> Tel: 852-2943-5100 Fax: 852-2401-3431</p> <p><b>China - Nanjing</b> Tel: 86-25-8473-2460 Fax: 86-25-8473-2470</p> <p><b>China - Qingdao</b> Tel: 86-532-8502-7355 Fax: 86-532-8502-7205</p> <p><b>China - Shanghai</b> Tel: 86-21-3326-8000 Fax: 86-21-3326-8021</p> <p><b>China - Shenyang</b> Tel: 86-24-2334-2829 Fax: 86-24-2334-2393</p> <p><b>China - Shenzhen</b> Tel: 86-755-8864-2200 Fax: 86-755-8203-1760</p> <p><b>China - Wuhan</b> Tel: 86-27-5980-5300 Fax: 86-27-5980-5118</p> <p><b>China - Xian</b> Tel: 86-29-8833-7252 Fax: 86-29-8833-7256</p>	<p><b>China - Xiamen</b> Tel: 86-592-2388138 Fax: 86-592-2388130</p> <p><b>China - Zhuhai</b> Tel: 86-756-3210040 Fax: 86-756-3210049</p> <p><b>India - Bangalore</b> Tel: 91-80-3090-4444 Fax: 91-80-3090-4123</p> <p><b>India - New Delhi</b> Tel: 91-11-4160-8631 Fax: 91-11-4160-8632</p> <p><b>India - Pune</b> Tel: 91-20-3019-1500</p> <p><b>Japan - Osaka</b> Tel: 81-6-6152-7160 Fax: 81-6-6152-9310</p> <p><b>Japan - Tokyo</b> Tel: 81-3-6880-3770 Fax: 81-3-6880-3771</p> <p><b>Korea - Daegu</b> Tel: 82-53-744-4301 Fax: 82-53-744-4302</p> <p><b>Korea - Seoul</b> Tel: 82-2-554-7200 Fax: 82-2-558-5932 or 82-2-558-5934</p> <p><b>Malaysia - Kuala Lumpur</b> Tel: 60-3-6201-9857 Fax: 60-3-6201-9859</p> <p><b>Malaysia - Penang</b> Tel: 60-4-227-8870 Fax: 60-4-227-4068</p> <p><b>Philippines - Manila</b> Tel: 63-2-634-9065 Fax: 63-2-634-9069</p> <p><b>Singapore</b> Tel: 65-6334-8870 Fax: 65-6334-8850</p> <p><b>Taiwan - Hsin Chu</b> Tel: 886-3-5778-366 Fax: 886-3-5770-955</p> <p><b>Taiwan - Kaohsiung</b> Tel: 886-7-213-7830</p> <p><b>Taiwan - Taipei</b> Tel: 886-2-2508-8600 Fax: 886-2-2508-0102</p> <p><b>Thailand - Bangkok</b> Tel: 66-2-694-1351 Fax: 66-2-694-1350</p>	<p><b>Austria - Wels</b> Tel: 43-7242-2244-39 Fax: 43-7242-2244-393</p> <p><b>Denmark - Copenhagen</b> Tel: 45-4450-2828 Fax: 45-4485-2829</p> <p><b>Finland - Espoo</b> Tel: 358-9-4520-820</p> <p><b>France - Paris</b> Tel: 33-1-69-53-63-20 Fax: 33-1-69-30-90-79</p> <p><b>France - Saint Cloud</b> Tel: 33-1-30-60-70-00</p> <p><b>Germany - Garching</b> Tel: 49-8931-9700</p> <p><b>Germany - Haan</b> Tel: 49-2129-3766400</p> <p><b>Germany - Heilbronn</b> Tel: 49-7131-67-3636</p> <p><b>Germany - Karlsruhe</b> Tel: 49-721-625370</p> <p><b>Germany - Munich</b> Tel: 49-89-627-144-0 Fax: 49-89-627-144-44</p> <p><b>Germany - Rosenheim</b> Tel: 49-8031-354-560</p> <p><b>Israel - Ra'anana</b> Tel: 972-9-744-7705</p> <p><b>Italy - Milan</b> Tel: 39-0331-742611 Fax: 39-0331-466781</p> <p><b>Italy - Padova</b> Tel: 39-049-7625286</p> <p><b>Netherlands - Drunen</b> Tel: 31-416-690399 Fax: 31-416-690340</p> <p><b>Norway - Trondheim</b> Tel: 47-7289-7561</p> <p><b>Poland - Warsaw</b> Tel: 48-22-3325737</p> <p><b>Romania - Bucharest</b> Tel: 40-21-407-87-50</p> <p><b>Spain - Madrid</b> Tel: 34-91-708-08-90 Fax: 34-91-708-08-91</p> <p><b>Sweden - Gothenberg</b> Tel: 46-31-704-60-40</p> <p><b>Sweden - Stockholm</b> Tel: 46-8-5090-4654</p> <p><b>UK - Wokingham</b> Tel: 44-118-921-5800 Fax: 44-118-921-5820</p>



## X-ON Electronics

Largest Supplier of Electrical and Electronic Components

*Click to view similar products for [WiFi Modules \(802.11\)](#) category:*

*Click to view products by [Microchip](#) manufacturer:*

Other Similar products are found below :

[WISE-1520ITB-TDA1E](#) [SX-PCEAN2C-SP](#) [BCM43602KMLG](#) [7265.NGWG.W](#) [ENW-49801A1JF](#) [WH-M2SD50NBT](#) [SX-680-2700-SP](#)  
[RN171-IRM481](#) [FXX-3061-MIX](#) [9668C52W10E](#) [EMIO-1533-00A2](#) [EWM-W162M201E](#) [ISM43340-L77-TR](#) [BCM4352KMLG](#)  
[BCM43520KMLG](#) [BCM43217KMLG](#) [7265.NGWWB.W](#) [PPC-WL-KIT02-R11](#) [RC-CC2640-A](#) [M113DH3200PS3Q0](#) [SX-PCEAN2c](#) [WT-](#)  
[01S](#) [WT8266-S3](#) [ESP-07S](#) [WT8266-S6](#) [ESP-12S](#) [WT-01F](#) [WT8266-S5](#) [ESP-12F](#) [WT32-S1](#) [ESP-WROOM-02UC](#) [ESP-WROOM-02DC](#) [WT-](#)  
[01N](#) [ESP32-WROOM-32UC](#) [ESP32-WROOM-32DC](#) [ESP-01](#) [ESP-01S](#) [ESP32-WROOM-32\(16MB\)](#) [ESP32-WROVER-E\(8MB\)](#) [ESP32-](#)  
[WROVER-IB\(16MB\)](#) [ESP32-WROVER-E\(16MB\)](#) [ESP32-WROVER-IB\(8MB\)](#) [ESP32-WROOM-32D\(16MB\)](#) [ESP32-WROOM-32U\(8MB\)](#)  
[ESP32-WROOM-32U\(16MB\)](#) [ESP-WROOM-02\(4MB\)](#) [ESP-WROOM-02D\(4MB\)](#) [ESP32-WROVER-E\(4MB\)](#) [ESP32-WROVER-B\(16MB\)](#)  
[ESP32-WROVER\(IPEX 4MB\)](#) [EAR00370](#) [EAR00373](#) [EAR00364](#)