

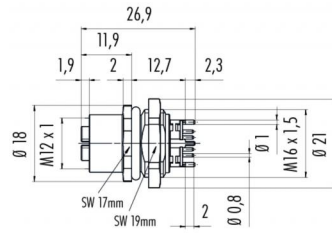
Product description **Contacts: 8, female connector with X-coding, dip-solder**

Area **M12-D, M12-X Series 825/876 X-coding**  
Order number **09 3782 95 08**

### Illustration

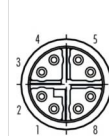


### Scale drawing



Sechskantmutter lose beigelegt  
Hexagon nut enclosed loose

### Contact arrangement



	X	Y
1	-1,40	-2,80
2	-2,80	-1,40
3	-2,80	1,40
4	-1,40	2,80
5	1,40	2,80
6	2,80	1,40
7	2,80	-1,40
8	1,40	-2,80

- 1 weiß-orange/white-orange
- 2 orange/orange
- 3 weiß-grün/white-green
- 4 grün/green
- 5 weiß-braun/white-brown
- 6 braun/brown
- 7 weiß-blau/white-blue
- 8 blau/blue

Schirm auf Gehäuse  
shield on housing

**You can find the component part drawing and assembly instructions on the next page.**

## Technical data

### General values

Connector design cable connector  
Connector locking system bolted  
Termination dip-solder  
Upper limit temperature 85 °C  
Lower limit temperature -40 °C

### Cable data

Approval 1 UL

### Electrical values

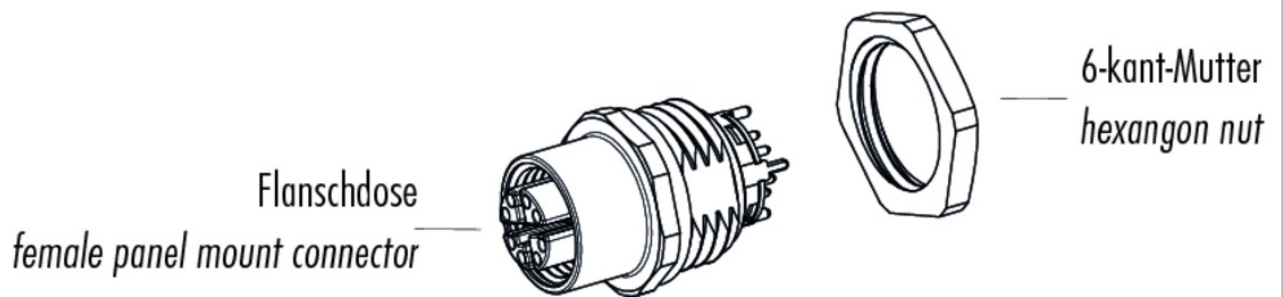
Rated voltage 50V AC, 60V DC V  
Pollution degree 3  
Overvoltage category II  
Insulating material group III  
Rated current (40 °C) 0,5 A  
Volume resistivity ≤ 15 mΩ  
EMC compliance shielded  
Degree of protection IP67  
Mechanical operation > 100 Mating cycles

### Material

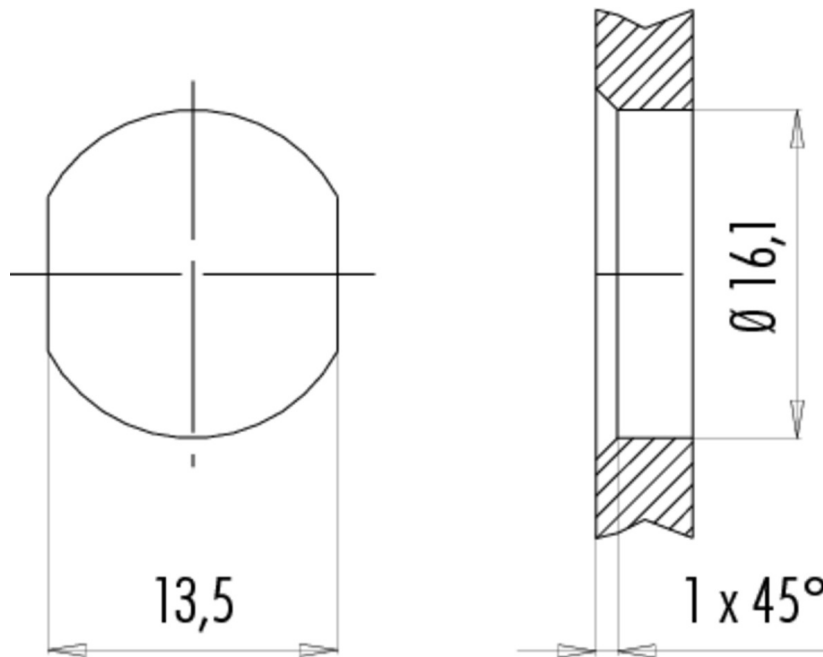
Contact material CuSn (bronze)  
Contact plating Au (gold)  
Contact body material PA

Product description      **Contacts: 8, female connector with X-coding, dip-solder**  
Area                              **M12-D, M12-X Series 825/876 X-coding**  
Order number                 **09 3782 95 08**

Component part drawing



Assembly instructions / Panel cut-out

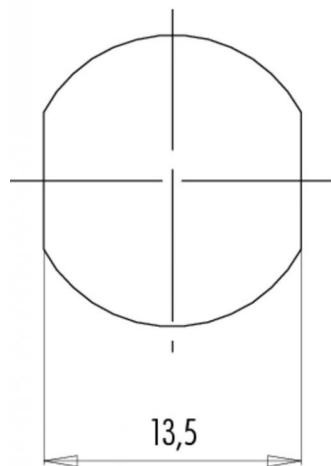


Product description **Contacts: 8, female connector with X-coding, dip-solder**

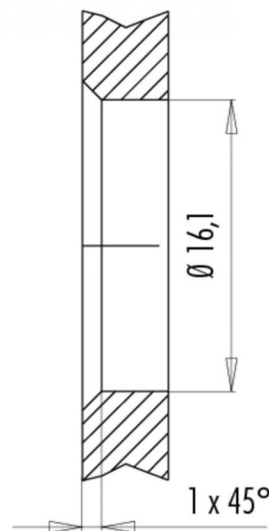
Area **M12-D, M12-X Series 825/876 X-coding**  
Order number **09 3782 95 08**

Assembly instructions / Panel cut-out

Mit Fläche als Verdrehschutz  
With flats as anti-rotation device



Mit Durchgangsbohrung  
With bore hole



Product description	<b>Contacts: 8, female connector with X-coding, dip-solder</b>
Area	<b>M12-D, M12-X Series 825/876 X-coding</b>
Order number	<b>09 3782 95 08</b>

## Sicherheitshinweise

The connectors are designed for use in plant, control system and electrical equipment. The end user is responsible for checking whether the connectors are suitable for use in other applications.

Connectors with degree of protection IP 67 and IP 68 are not suitable for use under water. When used outdoors, the connectors must be separately protected against corrosion. For further information about IP degrees of protection refer to 'Technical support' in the Download Centre.

To lock the cable connector to the equipment connector, the threaded ring is tightened until it is 'finger-tight' (approx. 50 cNm).

## X-ON Electronics

Largest Supplier of Electrical and Electronic Components

*Click to view similar products for [binder manufacturer](#):*

Other Similar products are found below :

[16-8085-001](#) [16-8100-000](#) [16-8090-000](#) [16-8093-000](#) [09 0330 00 12](#) [09 0153 70 08](#) [09 0305 00 03](#) [09 0337 00 16](#) [09 0477 00 07](#) [09 9478 00 07](#) [66-0004-001](#) [99-9125-60-08](#) [99-9106-60-03](#) [99 0612 00 04](#) [99 0079 100 04](#) [79-3108-52-04](#) [79-3110-52-04](#) [66-0003-001](#) [99-3782-200-08](#) [61-0903-139](#) [09 5283 00 03](#) [09-0316-702-05](#) [66-0005-000](#) [02-0055-001](#) [09-5288-00-08](#) [09-0104-300-02](#) [09-0110-25-04](#) [09-0112-782-04](#) [09-0173-300-08](#) [09-0312-290-04](#) [99-4218-300-07](#) [09-3442-92-05](#) [99-0437-186-05](#) [99-0218-210-07](#) [43-1706-000-04](#) [08-2809-000-000](#) [99-9205-050-03](#) [99-0201-00-07](#) [09-0312-09-04](#) [99-0610-02-04](#) [09-0319-80-05](#) [99-9206-050-03](#) [09-0073-20-02](#) [09-0081-20-04](#) [99-0143-12-06](#) [99-2009-210-04](#) [09-4912-080-04](#) [99-5681-15-07](#) [09-0062-00-05](#) [09-0053-80-14](#)