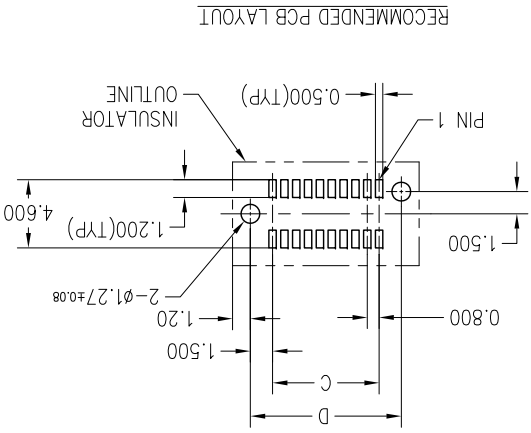
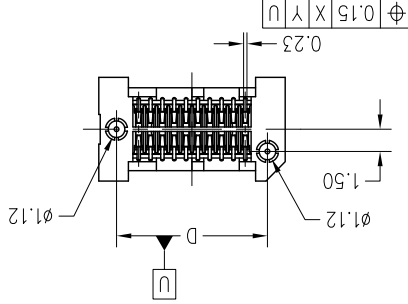
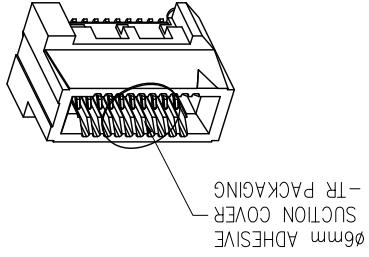
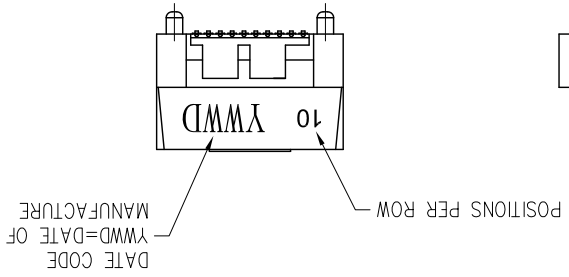
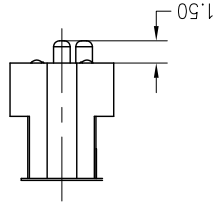
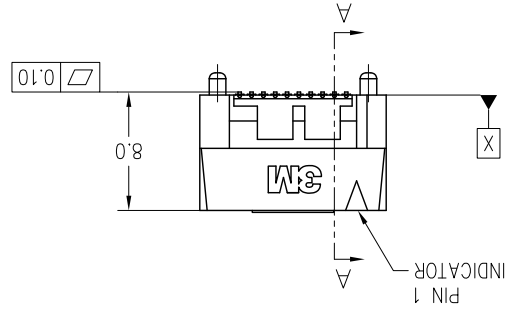
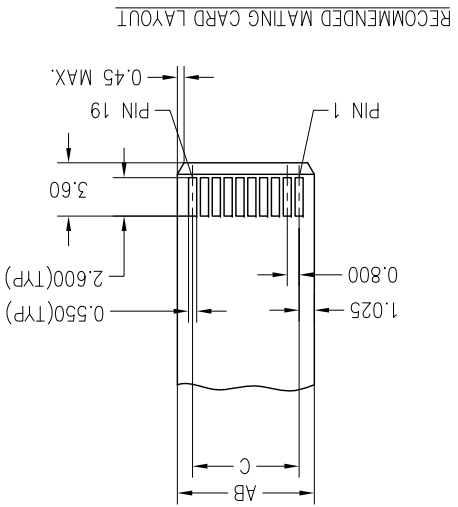
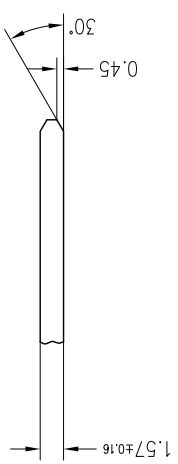
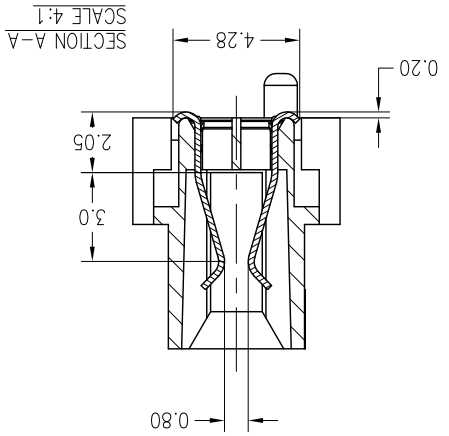
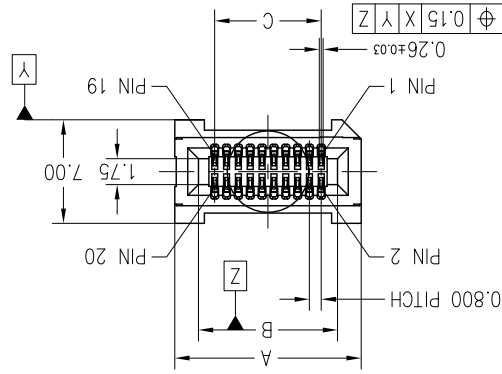


3M™ HIGH SPEED CARD-EDGE CONNECTOR, SPD08 SERIES

FIG. 1
FOR POSITIONS 020, 040, 060,
W/O LATCH TYPE
(SHOWN: SPD08-020-XX-TR)



POSITIONS	DIMENSIONS					
	A	B	C	D	AB	AB
20	12.60	9.40	7.200	10.20	9.25	
40	20.60	17.40	15.200	18.20	17.25	
60	28.60	25.40	23.200	26.20	25.25	

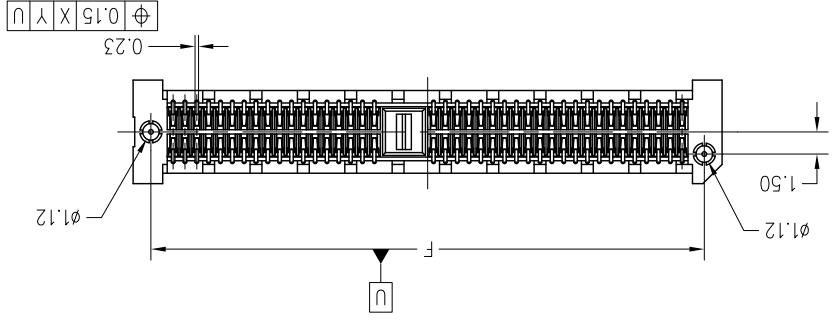
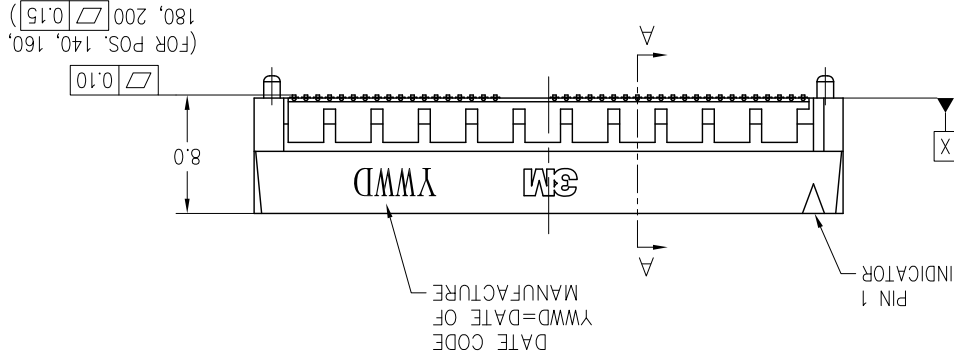
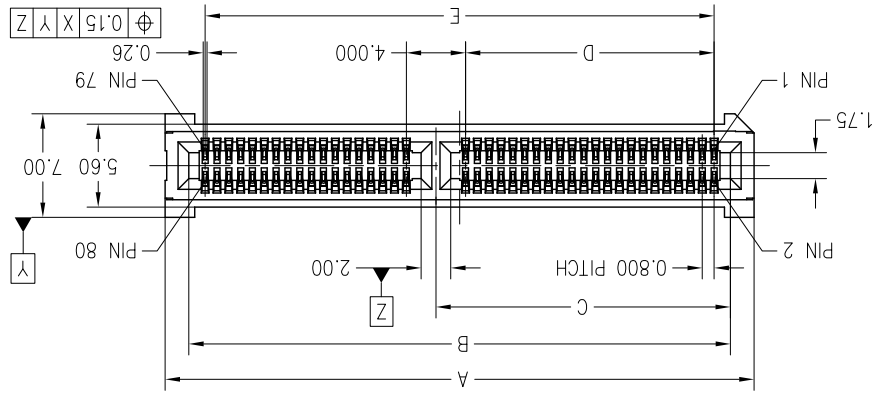
- NOTES:
- MATERIAL: HOUSING: GLASS FILLED LCP, BLACK, UL 94V-0
LATCH: GLASS FILLED LCP, BEIGE, UL 94V-0
CONTACT: COPPER ALLOY
SOLDER TAB: COPPER ALLOY
 - FINISH: GOLD PLATING ON CONTACT WIPING AREA,
3~5μm MATTE TIN ON SOLDER TAILS,
1.27μm NICKEL UNDER PLATED.
 - RATING: CURRENT: 3.0A, SINGLE CONTACT POWERED,
1.2A, ALL CONTACTS POWERED.
VOLTAGE: 250V AC
TEMPERATURE: -55 TO +125°C
PROCESS TEMP: 260°C MAX. (PROFILE PER J-STD-020C)
MOISTURE SENSITIVITY LEVEL: 1 (PER J-STD-020C)
CONTACT RESISTANCE: 20mΩ MAX.
CHARACTERISTIC IMPEDANCE: FOR USE WITH 100 Ω
OR 85 Ω DIFFERENTIAL-PAIR SYSTEMS, OR 50 Ω
SINGLE-ENDED SYSTEM.
BANDWIDTH: 15Gbps (RATED @ -3dB INSERTION LOSS,
30mm STACK HEIGHT BOARD TO BOARD APPLICATION)
4. ROHS COMPLIANT.
 - RECOMMENDED PACKAGING:
W/O LATCH TYPE: 20~160POS., T&R; 180~200POS., TRAY
WITH LATCH TYPE: 20~120POS., T&R; 140~200POS., TRAY
 - PART NUMBERING INFORMATION:
SPD08-XXX-X-XX-XX
NO. OF POSITIONS
020, 040, 060 (SEE FIG. 1, 3)
050, 080, 100, 120, 140, 160,
180, 200 (SEE FIG. 2, 4)
LATCHING OPTION
BLANK= W/O LATCH (SEE FIG. 1, 2)
L = WITH LATCH (SEE FIG. 3, 4)
PLATING OPTION
RB= 0.76μm MIN. GOLD
RC= 0.38μm MIN. GOLD
RA= 0.25μm MIN. GOLD
TR= TAPE & REEL
BLANK= TRAY
PACKAGING OPTION

REV. B	DRAWING NO. 78-5100-2420-7	MODEL	ANGLES ± 0.00 ± 0.05	MAX SURFACE ROUGHNESS ± 0.10 ± 0.20 ± 0.50	INTERPRET PER ASME Y14.5 - 1994
TITLE SPD08 HIGH SPEED CARD EDGE CONNECTOR, 0.8MM PITCH SMT		CAGE NUMBER 55144	THIRD ANGLE PROJECTION	DO NOT SCALE	THIRD ANGLE PROJECTION
DATE 05/11/11		DATE 05/11/11	SCALE 2:1	DO NOT SCALE	THIRD ANGLE PROJECTION
DRAFT K.D. LIU		DATE 05/11/11	SCALE 2:1	DO NOT SCALE	THIRD ANGLE PROJECTION
DATE 16 JUL 2013		DATE 05/11/11	SCALE 2:1	DO NOT SCALE	THIRD ANGLE PROJECTION
DATE 11 MAY 2011		DATE 05/11/11	SCALE 2:1	DO NOT SCALE	THIRD ANGLE PROJECTION
DATE 16 JUL 2013		DATE 05/11/11	SCALE 2:1	DO NOT SCALE	THIRD ANGLE PROJECTION
DATE 11 MAY 2011		DATE 05/11/11	SCALE 2:1	DO NOT SCALE	THIRD ANGLE PROJECTION
DATE 16 JUL 2013		DATE 05/11/11	SCALE 2:1	DO NOT SCALE	THIRD ANGLE PROJECTION

DRAWING NUMBER
REVISION

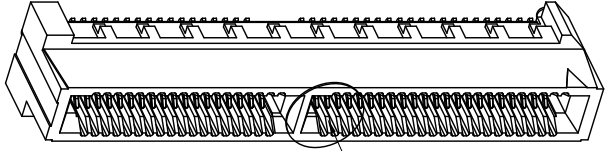
3M™ HIGH SPEED CARD-EDGE CONNECTOR, SPD08 SERIES

FIG. 2
FOR POSITIONS 050, 080, 100, 120, 140, 160, 200, W/O LATCH TYPE
(SHOWN: SPD08-080-XX-TR)

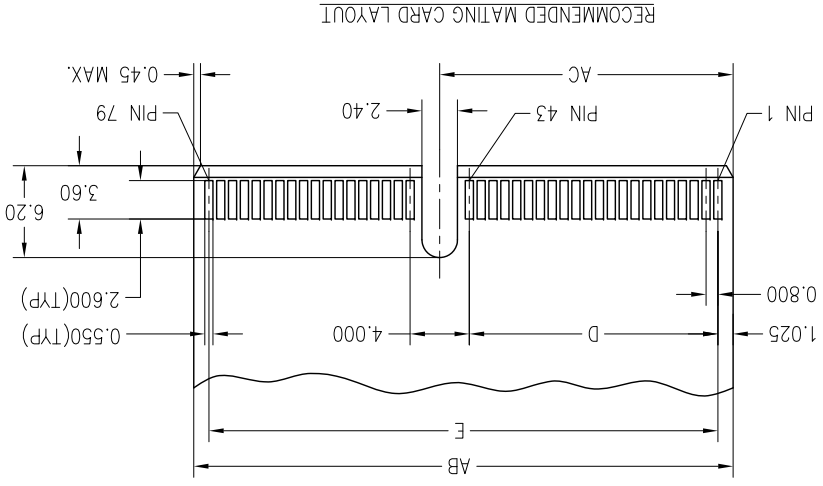
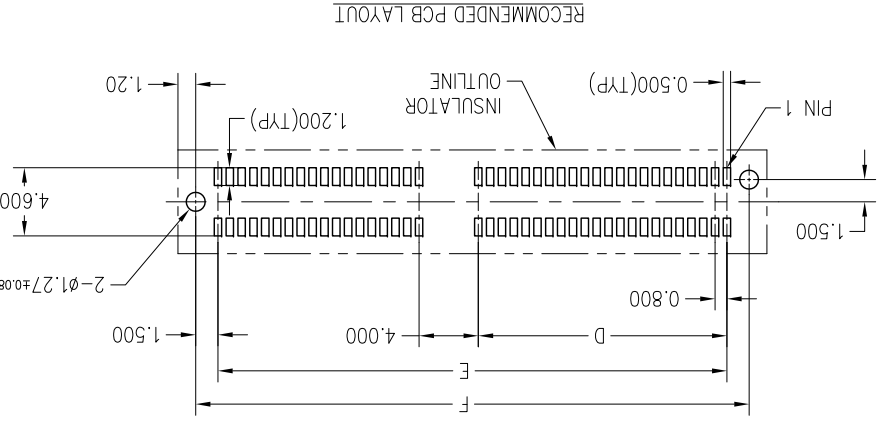
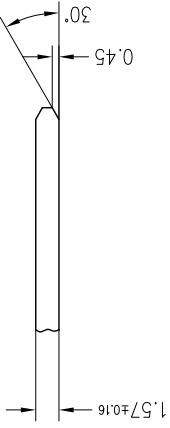
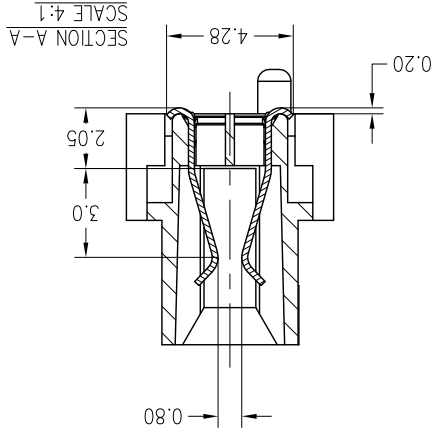
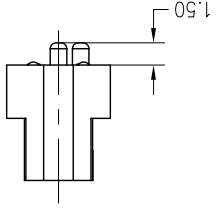


POSITIONS		A	B	C	D	E	F	AB	AC
200	180	160	140	120	100	80	50		
27.825	27.825	27.825	27.825	27.825	27.825	27.825	27.825	27.825	27.825
84.60	79.80	71.80	63.80	55.80	47.80	39.80	27.80		
84.60	76.60	68.60	60.60	52.60	44.60	36.60	24.60		
27.90	27.90	27.90	27.90	27.90	27.90	19.90	4.000		
24.800	24.800	24.800	24.800	24.800	20.800	16.800	22.400		
82.400	74.400	66.400	58.400	50.400	42.400	34.400	25.400		
85.40	77.40	69.40	61.40	53.40	45.40	37.40	28.40		
84.45	76.45	68.45	60.45	52.45	44.45	36.45	24.45		
27.825	27.825	27.825	27.825	27.825	27.825	19.825	7.025		

DIMENSIONS



φ6mm ADHESIVE
-TR PACKAGING
SUCTION COVER



DIVISION CODE ESD		TOLERANCES EXCEPT AS NOTED		INCHES 0.010 ± 0.000 0.000 ± 0.000 0.000 ± 0.000		THIRD ANGLE PROJECTION		INTERPRET PER ASME Y14.5 - 1994		MAX SURFACE ROUGHNESS <input type="checkbox"/> ALL SURFACES <input checked="" type="checkbox"/> MARKED ONLY	
DESIGN REFERENCE NEXT ASSEMBLY		DIVISION CODE DO NOT SCALE DRAWING		SCALE 2:1		TOLERANCES EXCEPT AS NOTED		ANGLES # 3 MILLIMETERS 0 ± 0.50 0 ± 0.20 0 ± 0.10 0.00 ± 0.05		MODEL 78-5100-2420-7	
DRAFT K.D. LIU		DATE 05/11/11		DATE 05/11/11		DATE 05/11/11		DATE 05/11/11		TITLE SPD08 HIGH SPEED CARD EDGE CONNECTOR, 0.8MM PITCH SMT	
REV E		ECO ISSUE DATE AND DESCRIPTION		DATE 05/11/11		DATE 05/11/11		DATE 05/11/11		CAGE NUMBER 78-5100-2420-7	
DFT CHKD		DATE DATE		DATE DATE		DATE DATE		DATE DATE		DET. LISTS YES <input type="checkbox"/> NO <input type="checkbox"/> SHT 2 OF 4	

DRAWING NUMBER
REVISION

X-ON Electronics

Largest Supplier of Electrical and Electronic Components

Click to view similar products for [Standard Card Edge Connectors](#) category:

Click to view products by [3M](#) manufacturer:

Other Similar products are found below :

[6565204-6](#) [PKC-156](#) [1437274-4](#) [147889-1](#) [1489165-4](#) [EBT156-12B1X](#) [EBT15622B2X](#) [EBT156-22R2W](#) [1-582587-1](#) [1-582589-1](#) [2-6437275-9](#) [284-0102-12100](#) [306022901000000](#) [307-012-502-202](#) [307-024-526-201](#) [307-056-520-300](#) [307-080-526-208](#) [245-062-520-350](#) [287-0032-12101](#) [306-010-500-112](#) [306-028-525-102](#) [306-240-318](#) [307-036-502-202](#) [307-036-521-301](#) [307-072-526-202](#) [345-060-559-303](#) [368-004-520-201](#) [392-008-559-201](#) [534671-1](#) [5-530501-5](#) [341-240-317](#) [345-029-520-300](#) [345-030-500-301](#) [345-044-500-300](#) [345-220-058](#) [346-240-318](#) [357-030-526-201](#) [387-012-523-300](#) [395-044-520-300](#) [395-100-524-300](#) [50-12B-10](#) [50-6SN-5](#) [09-07-2032](#) [10035388-106LF](#) [10035388-802LF](#) [10122859-009LF](#) [10127905-B04B24BLF](#) [530555-1](#) [EBT156-15A2X](#) [2007209-1](#)