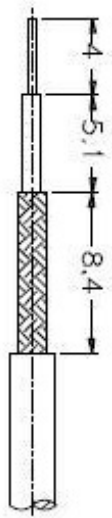


1 2 3 4 5 6 7 8

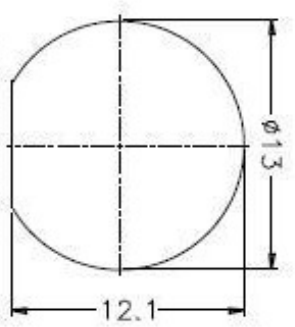
REVISIONS

DESCRIPTION\PER REQUEST\DATE

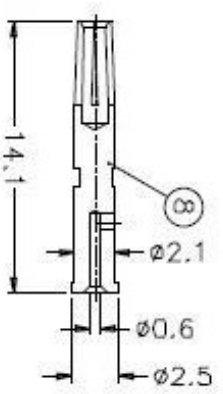
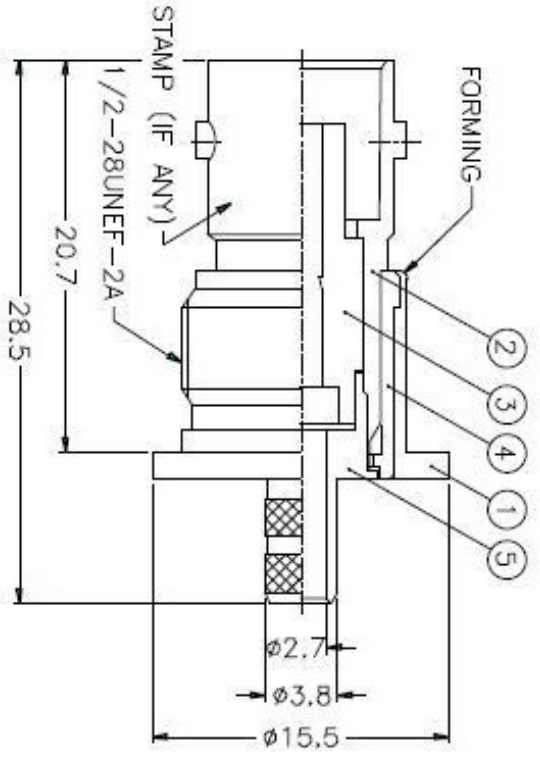
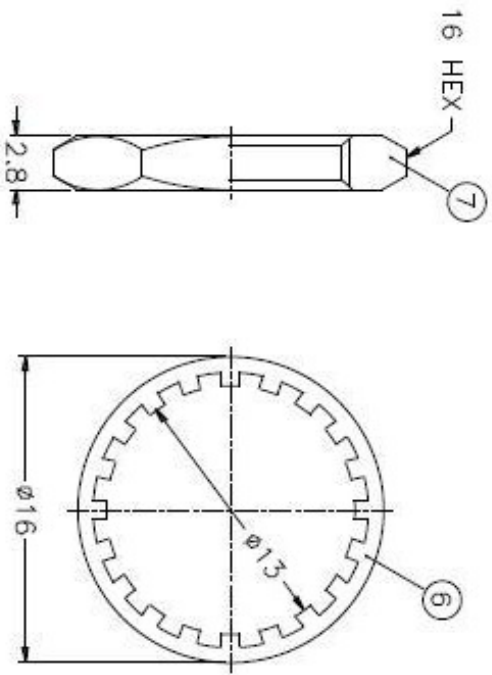
ISS	ZONE	DESCRIPTION\PER REQUEST\DATE



RECOMMENDED  
CABLE STRIPPING DIM'S



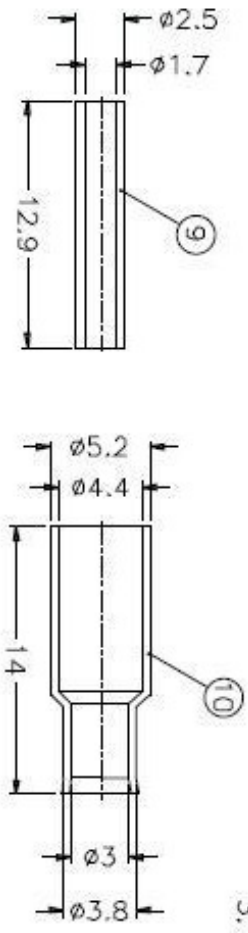
RECOMMENDED  
MOUNTING HOLE



1. CRIMPED FERRULE  
HEX CRIMP SIZE .178"
2. CRIMPED CONTACT PIN  
HEX CRIMP SIZE .068"
3. MAX. PANEL THICKNESS=5mm

NOTES: FINISH (PLATING THICKNESS IN MICRO-INCHES)

1. BRASS PER QQ-B-626
2. BRASS PER QQ-B-613
3. NICKEL PL. 100 MIN. THICK OVER COPPER STRIKE
4. PHOSPHOR BRONZE PER QQ-B-750
5. GOLD PL. 3 MIN. THICK OVER NICKEL PL. 100 MIN. THICK OVER COPPER STRIKE
6. PTFE MIL-P-19468
7. JIS H 3250, C 2700



10	FERRULE	NOTE 7	NOTE 3	1	FR-52/44-36/3
9	SLEEVE	DELRIIN	NATURAL	1	SL-25/17X129 X14

8	CONTACT PIN	NOTE 4	NOTE 5	1	B74000-8-25/06
7	HEX NUT	NOTE 1	NOTE 3	1	HNI6-1/2-28X28
6	LOCK WASHER	NOTE 2	NOTE 3	1	LW-15/13X05
5	BARREL	NOTE 1	NOTE 3	1	B74042-5-36/27
4	INSULATOR	DELRIIN	NATURAL	1	B74040-4
3	INSULATOR	NOTE 6	NATURAL	1	B74040-3T-50
2	BDDY	NOTE 1	NOTE 3	1	B74040-2-B
1	HOUSING	NOTE 1	NOTE 3	1	R66721E1-1

DIMENSIONS ARE IN MILLIMETERS  
UNLESS OTHERWISE SPECIFIED  
TOLERANCES

- 0.5-6 = ±0.2
- 6-30 = ±0.4
- 30-120 = ±0.6
- 120-315 = ±1
- 315-1000 = ±1.6
- 1000-2000 = ±2.4

PART NO. B6721E1-NT3G-5-50  
APPROVED DATE 10-11-01'  
CHECKED DATE 10-11-01'  
DRAWN DATE 10-11-01'

TITLE BNC BULKHEAD ISOLATED CRIMP JACK  
(FOR RG-174/U, 188A/U, 316/U)  
DRAWING NO. KJ-B6721E1-NT3G-316U-50  
TIBA NO.

# Amphenol

NO.	DESCRIPTION	MATERIAL	FINISH	QTY	DRAWING NO.	SCALE	2.5/1	ISSUE	A	FILE NO.
1	HOUSING	NOTE 1	NOTE 3	1	R66721E1-1	2.5/1	2.5/1	ISSUE	A	FILE NO.

A

B

C

D

E

F

A

B

C

D

E

F

## X-ON Electronics

Largest Supplier of Electrical and Electronic Components

*Click to view similar products for [amphenol manufacturer](#):*

Other Similar products are found below :

[CTV06RGQF-17-52P](#) [CTVPS00RGF-23-6P-LC](#) [JTPQ00RT-16-35P\(453\)](#) [GC835TY2S](#) [CF-509621-29P](#) [BF8-1218-31SV-Y70](#) [TVP00RGW-23-6SA\(LC\)](#) [RNJ27CI1535P014](#) [10-553998-139](#) [21-033388-031](#) [10-507142-843](#) [GTS06G-32-7S](#) [GTC06-36-78PX-023](#) [ACC02E28-51S-003-B30-LC](#) [TV06RL-13-35SD-LC](#) [TV06RL-13-35SD](#) [TV06RL-13-98SD-LC](#) [TV06RL-13-98SD](#) [GTC08AF32-15SX-B30-LC](#) [GTC06G32-76PZ](#) [TVP00RW-23-53AD](#) [100-007-213-002-001](#) [5M30-61](#) [JT07RT-22-14PB-453](#) [FSPP-103-00-004](#) [360031](#) [10-037090-161](#) [10-541504-001](#) [10-580902-409](#) [TV97RW-9-9S\(S15\)](#) [TVPS00RGF-9-5P-LC](#) [TVPS00RGF-9-5PA-LC](#) [TVP00RGQW-21-75P-LC](#) [TV06RW-25-90AE](#) [97-3108B16S-5PW-417](#) [PT06J20-24SW](#) [97-3108B16S-4PY-417](#) [97-3108B16S-4PX-417](#) [97-3108B16S-5PY-417](#) [97-3108B16S-4PW-417](#) [CS-DSDMDB37MF-025](#) [97-3108B16S-5PZ-417](#) [TV06RW-25-46AE](#) [TVS07RF-21-16AA](#) [TVS07RF-21-39BA](#) [60261626SNCOND1](#) [SE00TVW09](#) [CF-5A9013-04N](#) [CF-6A4615-06N](#) [GTS01-22-22PX-025-116](#)