

Miniature Threaded C and Pi Circuit Filters

**[Key Characteristics**

**Applications**

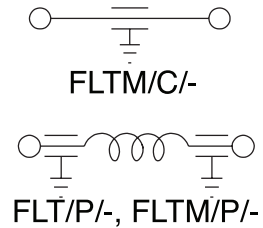
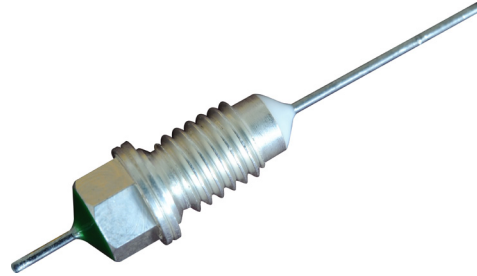
- High density panels
- Bulkhead filter arrays

**Rugged**

- Robust thick walled tubular construction

**Performance**

- ≤10nF
- ≤500vDC
- High frequency
- Temperature -55°C to +125°C

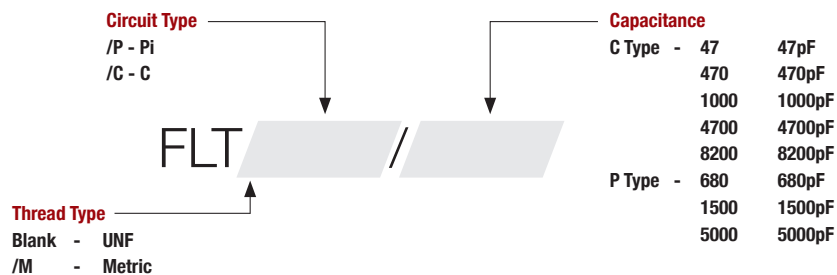


**[Electrical Characteristics**

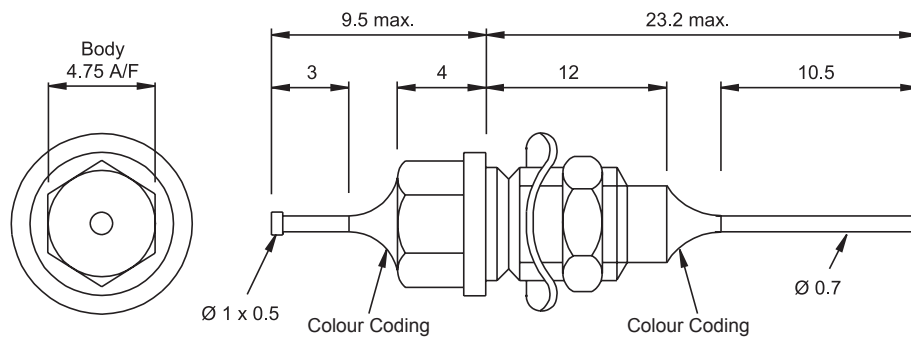
Circuit	Cap	Current	Voltage	I.L. (dB) 1MHz	10 MHz	100 MHz	1 GHz	Colour Code
C	47pF	10A	500v*	-	-	6	23	Yellow/Yellow
C	470pF	10A	500v*	-	3	18	30	Orange/Orange
C	1000pF	10A	500v*	-	7	26	32	Brown/Brown
C	4700pF	10A	350v*	1	17	34	42	Red/Red
C	8200pF	10A	350v*	6	23	40	50	Dark Blue/Dark Blue
P	680pF	10A	350v**	-	4	35	70	Grey/White
P	1500pF	10A	350v**	1	12	50	75	Red/White
P	1500pF	10A	350v*	4	25	70	75	Green/White

\*Voltage derates linearly to 100v dc from 85°C to 125°C  
 \*\* Voltage derates linearly to 200v dc from 85°C to 125°C

**[Ordering Information**



Example: FLTM/P/5000



ALL DIMENSIONS IN MM

## Mechanical Information

TYPE	FLTM/-	FLT/-
Thread	M5 x 0.8	12-32 UNEF
Mounting Hole Diameter	5.1mm	5.62mm
Chassis Thickness (max.)	3.1mm	3.1mm
Minimum Pitch (with nut)	7.05mm	7.45mm
Minimum Pitch (without nut)	6.5mm	6.5mm
Nut A/F	6mm	6.35mm
Mounting Torque	0.35Nm	0.35Nm

## Technical Information

BODY & NUT	Brass, Silver finish
WASHER	Tin plated Beryllium Copper Alloy
TERMINATIONS	Copper Alloy, Tin Lead or Silver finish

Distributed by



SAI GLOBAL  
AS9100  
Aerospace

\*ROHS versions available upon request - please speak to the sales department

## X-ON Electronics

Largest Supplier of Electrical and Electronic Components

*Click to view similar products for [oxley manufacturer](#):*

Other Similar products are found below :

[DLT/1000/ROHS](#) [OXL/CLH/100/FL30/GREEN](#) [OXL/CLH/100/12AC/FL30/ALGAAS RED](#) [OXL/CLH/63/BB/24AC/FL30/GREEN](#)  
[OXL/CLH/100/230/FL30/GREEN](#) [OXL/CLH/100/P/24AC/FL30/ALGAAS RED](#) [OXL/CLH/100/24AC/FL30/WHITE](#)  
[OXL/CLH/63/FL30/GREEN](#) [OXL/CLH/100/24AC/FL30/ALGAAS RED](#) [OXL/CLH/100/230/FL30/ALGAAS RED](#)  
[OXL/CLH/63/24AC/FL30/YELLOW](#) [LSB2/156/RED](#) [LS/B1/093 WHITE](#) [OXL/CLH/80/P/12AC/FL30/H/GREEN](#) [040/30P/KP2 SILVER](#)  
[DLT/10000/ROHS](#) [DLT4/L/22000/ROHS](#) [028/30P/KP2/L SILVER](#) [028/30P/LA/KP2 SILVER](#) [SN/040/RP SILVER](#) [FLTM/P/5000/ROHS](#)  
[SMOX/060/B1/LP GOLD](#) [040/30P/KP2/L SILVER](#) [040/30P/LA/KP2 SILVER](#)