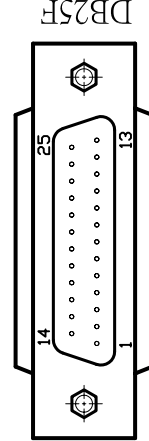
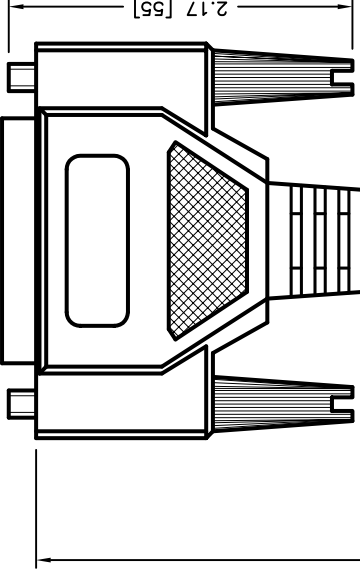
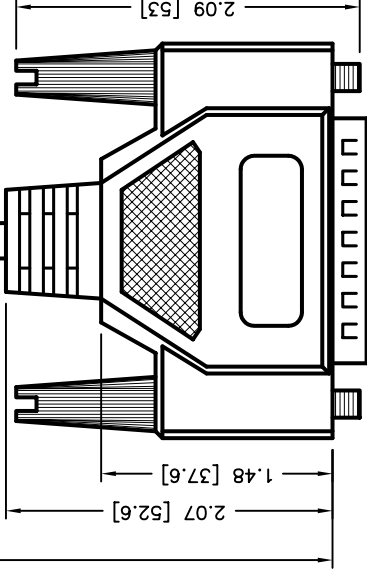
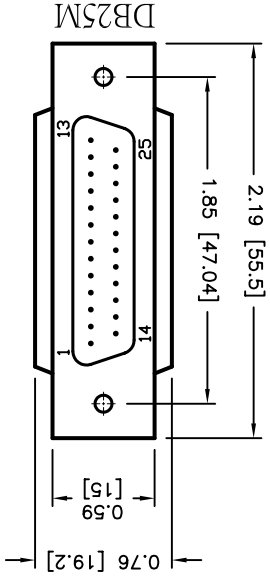
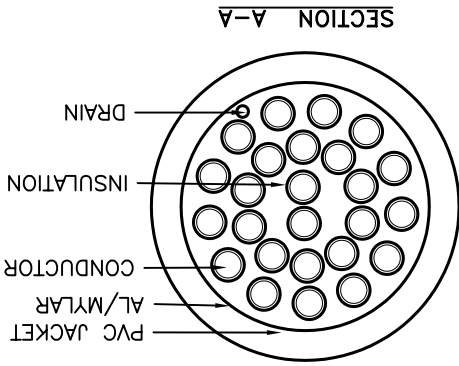
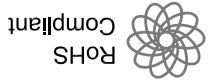


REVISIONS					
DCP #	REV	DESCRIPTION	DRAWN DATE	CHECKD DATE	APPRVD DATE
1906	A	RELEASED	EO	04/17/06	05/25/06
DOCS. NO. SPC-F005 * Effective: 7/8/02 * DCP No.: 1398					



PIN OUTS

DB25 WIRE COLOR	DB25 WIRE COLOR	DB25 WIRE COLOR	DB25 WIRE COLOR	DB25 WIRE COLOR	DB25 WIRE COLOR	DB25 WIRE COLOR	DB25 WIRE COLOR	DB25 WIRE COLOR	DB25 WIRE COLOR	DB25 WIRE COLOR
1	2	3	4	5	6	7	8	9	10	11
BLACK	BROWN	RED	ORANGE	YELLOW	GREEN	BLUE	PURPLE	WHITE	GRAY	BLACK/WHITE
19	20	21	22	23	24	25	Shell	Shell	18	17
LIGHT-GREEN	PINK	PINK/BLACK	GRAY/BLACK	ORANGE/WHITE	RED/WHITE	ORANGE/BLACK	ORANGE/BLACK	YELLOW/WHITE	YELLOW/BLACK	GREEN/WHITE
16	15	14	13	12	11	10	9	8	7	6
GREEN/BLACK	RED/BLACK	GRAY/BLACK	RED/WHITE	ORANGE/WHITE	YELLOW/BLACK	GREEN/BLACK	BLUE/BLACK	BLUE/WHITE	BLUE/BLACK	GREEN/BLACK
25	24	23	22	21	20	19	18	17	16	15
Shell	Shell	Shell	Shell	Shell	Shell	Shell	Shell	Shell	Shell	Shell

SPC TYPE No.	LENGTH
SPC19934	72±1 [1829±25.4]
SPC19928	120±2 [3048±50.8]
SPC19931	300±3 [7625±76.2]

Specifications:

1. Molded connector end requirements:

A) Inner mold using PE

B) Aluminum foil wrap

to connector

C) PVC - 45P, Platinum gray

2. Cable:

[28WG (7/0.12)*25C+AL/MY+DW(7/0.16)]TIN

Insulation: PP,OD=ø0.78±0.03MM

Color: COLOR CODE

Jacket: PVC, OD = ø7.0±0.15mm

Color: Platinum gray

3. Thumbscrew: Male 4X47mm, Nickel plating

4. Connectors: DB25P Male Nickel plating, Insulator Color: Blue

5. Connectors: DB25P Female Nickel plating, Insulator Color: Blue

6. (Screw) Nut: 4.75*6mm Nickel plating

TOLERANCES:

UNLESS OTHERWISE SPECIFIED,

DIMENSIONS ARE FOR REFERENCE

PURPOSES ONLY.

DISCLAIMER:
ALL STATEMENTS AND TECHNICAL INFORMATION CONTAINED
HEREIN ARE BASED UPON INFORMATION AND/OR TESTS WE
BELIEVE TO BE ACCURATE AND RELIABLE. SINCE
CONDITIONS OF USE ARE BEYOND OUR CONTROL, THE
USER SHALL DETERMINE THE SUITABILITY OF THE PRODUCT
FOR THE INTENDED USE AND ASSUME ALL RISK AND
LIABILITY WHATSOEVER IN CONNECTION THEREWITH.

DRAWN BY: EKLAS ODISH

DATE: 04/17/06

CHECKED BY: THOMAS LEE

DATE: 05/25/06

APPROVED BY: HISHAM ODISH

DATE: 05/25/06

DRAWING TITLE: Data Cable, 25 Conductor, DB25 Male to Female

SIZE DWG. NO.

TA-736

ELECTRONIC FILE

REVISIONS

SCALE: NTS

U.O.M.: INCHES [mm]

SHEET: 1 OF 1

TA-736.DWG

REV

X-ON Electronics

Largest Supplier of Electrical and Electronic Components

Click to view similar products for [USB Cables / IEEE 1394 Cables](#) category:

Click to view products by [SPC Technology](#) manufacturer:

Other Similar products are found below :

[68768-0173](#) [FNY-W6003-01](#) [88764-0800](#) [13805532](#) [148700-1](#) [17-200621](#) [17-250051P](#) [954](#) [AC102012-2](#) [IP-USB1\(C10\)S-RW](#)
[CABLE/RTP/USB/DT](#) [0847290003](#) [10115240-12200LF](#) [RS232-GTD](#) [USBFTVX2SA2N03A](#) [USBFTV2SA2N03A](#) [1689404-1](#) [FTP-](#)
[629Y401](#) [FTP-628Y402](#) [943301-001](#) [FNY-W6022](#) [FNY-W6003-03](#) [1310-1015-05](#) [1310-1018-04](#) [1310-1019-04](#) [0887283402](#) [UA-](#)
[30AMFM-SL7B02](#) [UA-30AMFM-SL7B01](#) [UA-30AFM-LD7B03](#) [UA-30AMFM-SL7B03](#) [USBAPSCC7202A](#) [UES-1001A160](#) [UES-](#)
[1003A160](#) [USBFTVX7SA2N20A](#) [USBFTVX2SA2N20A](#) [USBFTV2PEMSA2N10A](#) [FTP-629Y602](#) [USBCAMCM100](#) [USB A/F*2 to 2.54](#)
[2*5P-SH L=400mm](#) [EP-CBUSB10P2FLT](#) [1310-1033-01](#) [1310-1037-04](#) [ASR-USB](#) [68784-0075](#) [17-241361](#) [17-230471](#) [217B-BC02](#) [USB-29](#)
[19800-010500-200-RS](#) [USB+MINI DIN 6P WITH BKT](#)