


Specification				
Part Number:				
Version:				
Date:				
Revision				
No.	Date	Description	Item	Page
				

Table of Contents

1.0	General Description	3
2.0	Electrical Characteristics	3
3.0	Mechanical Parameters	3
4.0	Pin Definition	3
5.0	Interface Design	4
6.0	Control Command	4
7.0	Outline Drawing	8
8.0	User's Guide	9
9.0	Reliability Test Items	11
10.0	Package Specification	11

Midas Active Matrix Display Part Number System

MC T 057 A 6 * W 320240 L M L * * * * *
 1 2 3 4 5 6 7 8 9 10 11 12 13 14 15 16

- 1 = **MC:** Midas Components
- 2 = **T:** TFT **A:** Active Matrix OLED
- 3 = **Size**
- 4 = **Series**
- 5 = **Viewing Angle: 6:** 6 O'clock **12:** 12 O'clock **0:** All round
- 6 = **Blank:** No Touch **T:** Resistive Touchscreen **C:** Capacitive Touchscreen
- 7 = **Operating Temp Range: S:** 0 to 50Deg C **B:** -20+60Deg C
 W: -20+70Deg C **E:** -30+85Deg C
- 8 = **No of Pixels**
- 9 = **Orientation: P:** Portrait **L:** Landscape
- 10 = **Mode: R:** Reflective **M:** Transmissive **T:** Transflective
 S: Sunlight Readable (transmissive)
 W: White on Black (Monochrome)
- 11 = **Backlight: Blank:** None **L:** LED **C:** CCFL
- 12 = **Blank:** No Module/board **C:** Controller board module
- 13 = **Blank:** None **V:** Video
- 14 = **Blank:** None **B:** Bracket
- 15 = **Blank:** None **H:** Host Cable
- 16 = **Blank:** None **K:** Keyboard

M3 TFT is target to the users updating their product from monochrome LCD to TFT displays or new products fast developing; our solution can provides a simple and reliable way to control TFT displays. M3-M series include small screen with RGB port from 3.5" to 8.0", meeting the requirements for various applications from customers.

1.0 General Description

1. Built-in command table
2. Typical data space 128M Byte
3. Communication interface Uart (Customizable RS232)
4. Data updated using USB port
5. Font 8*16、12*24、16*32、24*48、32*64 or own definition

2.0 Electrical Parameters

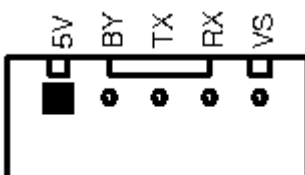
Name	
Input voltage	5V±5%
Current	<200mA
Color Depth	65K colors
Operating Temperature	-20---70℃
Storage Temperature	-30----80℃
Luminance	280cd/m ²
Display Mode	Transmissive
Resolution	320*240

3.0 Mechanical Parameters (mm)

ITEM	
Size of panel	76.90*64.00
Size of module	93.00*70.000*13.9
Size (VA) Bezel	72.80*55.50

4.0 Pin Definition

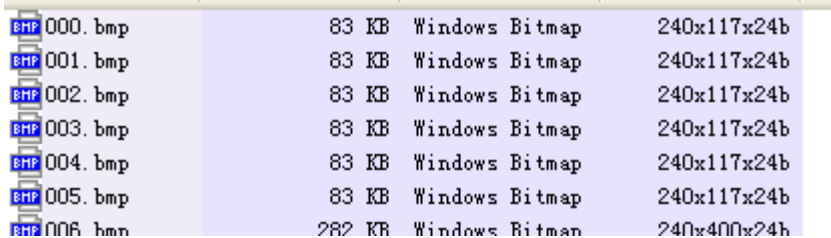
J1 on module is communication port and K1 is reset key.



5.0 Interface Design

1. Firstly, put all pictures needed into the folder of BMP_FILE, convert them into BMP format and change picture names in proper sequence from 000.BMP. The operation can be completed with software of ACDSEE; see [Appendix I](#) for details in operation.

The picture files with names in proper sequence are shown in figure below:



BMP	000. bmp	83 KB	Windows Bitmap	240x117x24b
BMP	001. bmp	83 KB	Windows Bitmap	240x117x24b
BMP	002. bmp	83 KB	Windows Bitmap	240x117x24b
BMP	003. bmp	83 KB	Windows Bitmap	240x117x24b
BMP	004. bmp	83 KB	Windows Bitmap	240x117x24b
BMP	005. bmp	83 KB	Windows Bitmap	240x117x24b
BMP	006. bmp	282 KB	Windows Bitmap	240x400x24b

2. Execute batch processing command Bmptobin.exe and two files will be generated in the folder of BMP_DATA after execution, among which BMPDATA.BIN is the data file where all picture data are put successively and TABLE.BIN is the table file equivalent to index file; copy these two files into the folder virtualized by the module and then they are available for use.

3. If special character display is required by user, like Chinese or Japanese etc. The software attached in this module can be used for extracting font library; ([Only for Chinese version](#))

Revise the name of extracted font library file and copy it in to USB flash disk for application; the file name should be changed as HZK.BIN.

4. Note: this USB flash disk is a virtualized one; the file system is regulated for the convenience of application of this module and improvement of picture refreshing speed; please use FAT12 to format the USB flash disk; the limit number of files in root directory is 16 and generally there are only font library file, table file and data file; if other files need to be stored by user, it had better to make a new folder for storage of these files.

5. Press K1 key (reset key) on module after all files are copied into USB flash disk and then they are available for use.

6.0 Control Command

This module adopts alphabetic string to control all operations.

The command format begins with command word continued with parameter list in which parameters are separated by space and ends with a return character; pay attention that the return character is a must. When the command is executing, the busy pin is low, and the module can't receive new command, until the busy pin is high.

“CMD n1 n2.....Return”

The parameters n1, n2... in table below express a 16 -bit unsigned integer data and s1, s2...expresses alphabetic string.

Drawing commands

Function	Command Format	Example	
Browse Pictures	ALL	"ALL\n"	
Draw a circle	CIRCLE Xa Ya R C	"CIRCLE 100 100 50 31\n"	
Fill in color	CLR Xa Ya Xe Ye C	"CLR 0 0 100 100 31\n"	
Clear screen	CLS C	"CLS 31\n"	
Cut a picture	CUT Pn Xa Ya Xb Yb Xs Ys	"CUT 1 30 30 0 0 100 100\n"	
Draw a dot	DOT Xa Ya C	"DOT 100 100 31\n"	
Draw a line	LINE Xa Ya Xe Ye C	"LINE 10 10 50 50 31\n"	
Backlight on	LEDON	"LEDON\n"	
Adjusting backlight luminance	LEDON X (X:1~10)	"LEDON10\n"	
Backlight off	LEDOFF	"LEDOFF\n"	
LOAD PIC	PIC Pn Xa Ya	"PIC 1 30 30\n"	
Display image files directly	LOAD Xa Ya Path	"LOAD 0 0 jpg\jpg03.jpg\n"	Support BMP,JPG,TGA,PN G
Draw a rectangle	RECT Xa Ya Xe Ye C	"RECT 10 10 100 100 31\n"	
*Get screen size	SIZE	"SIZE\n"	
Display alphabetic string	STR Xa Ya C Str	"STR 0 0 31 ABCDEF\n"	
Display alphabetic string with grounding	BSTR Fontsize Xa Ya C Cb Str	"BSTR 16 0 0 31 0 ABCDEF\n"	
Display font user-defined	UF FontIndex Xa Ya C Str	"UF 0 0 0 31 ABCDEF\n"	
Display font with grounding user-defined	BUF FontIndex Xa Ya C Cb Str	"BUF 0 0 0 31 0 ABCDEF\n"	
Buzzer control	BUZ Tb Fb	"BUZ 300 2000\n"	

Display alphabetic string. Copy the font file to flash before use these commands

Function	Command Format	Example	
Display alphabetic string(Font 16)	HZ16 Xa Ya C Str	" HZ16 0 0 31 ABCDEF\n"	Font Size 8x16
Display alphabetic string(Font 24)	HZ24 Xa Ya C Str	" HZ24 0 0 31 ABCDEF\n"	Font Size 12x24
Display alphabetic string(Font 32)	HZ32 Xa Ya C Str	" HZ32 0 0 31 ABCDEF\n"	Font Size 16x32
Display alphabetic string(Font 48)	HZ48 Xa Ya C Str	" HZ48 0 0 31 ABCDEF\n"	Font Size 24x48

Display alphabetic string(Font 64)	HZ64 Xa Ya C Str	" HZ64 0 0 31 ABCDEF\n"	Font Size 32x64
Display alphabetic string with back color(Font 16)	HZB16 Xa Ya C Cb Str	" HZB16 0 0 31 0 ABCDEF\n"	Font Size 8x16
Display alphabetic string with back color(Font 24)	HZB24 Xa Ya C Cb Str	" HZB24 0 0 31 0 ABCDEF\n"	Font Size 12x24
Display alphabetic string with back color(Font 32)	HZB32 Xa Ya C Cb Str	" HZB32 0 0 31 0 ABCDEF\n"	Font Size 16x32
Display alphabetic string with back color(Font 48)	HZB48 Xa Ya C Cb Str	" HZB48 0 0 31 0 ABCDEF\n"	Font Size 24x48
Display alphabetic string with back color(Font 64)	HZB64 Xa Ya C Cb Str	" HZB64 0 0 31 0 ABCDEF\n"	Font Size 32x64

Animation, the series picture must be same size **

Function	Command Format	Example	
* Animation1	M1 On/Off Xa Ya Ps Pe Pt	"M1 1 0 0 0 8 100\n"	
Animation2	M2 On/Off Xa Ya Ps Pe Pt	"M2 1 0 0 0 8 100 \n"	
Animation3	M3 On/Off Xa Ya Ps Pe Pt	"M3 1 0 0 0 8 100 \n"	
Animation4	M4 On/Off Xa Ya Ps Pe Pt	"M4 1 0 0 0 8 100 \n"	

Note:

Xa Ya :start x y coordinates

C :color(16bits,RGB 565)

Xe Ye :End x y coordinates

Cb color underpainting

Xb Yb : start end X Y coordinates in livelong PIC

Xs Ys : Need to intercept the size from livelong picture

Str :alphabetic string(8x16)

Pn : Pictures serial number(000-999)

R : Radius

Ps : Start animation picture number

Pe : End animation picture number

Pt : Spacing time (Unit ms)

Bt : Buzzer on time (Unit ms)

Bf : Buzzer frequency(Unit Hz) 1K-4K

Path Denote the path of the picture file BMP,JPG,PNG,TGA

Fontsize 8*16, 12*24, 16*32, 24*48, 32*64

FontIndex user-defined font index (0~19)

** Please ensure the command will be ended with the HEX value of "0x0d & 0x0a".

If "LINE 10 10 50 50 31 \n"doesn't work, please try "LINE 10 10 50 50 31 \n\r" or "LINE 10

10 50 50 31\r\n"

("\\n": 0x0d & 0x0a.)

****Parameter configuration:**

This part use config.ini to set module basic parameters like UART baud rate, touch

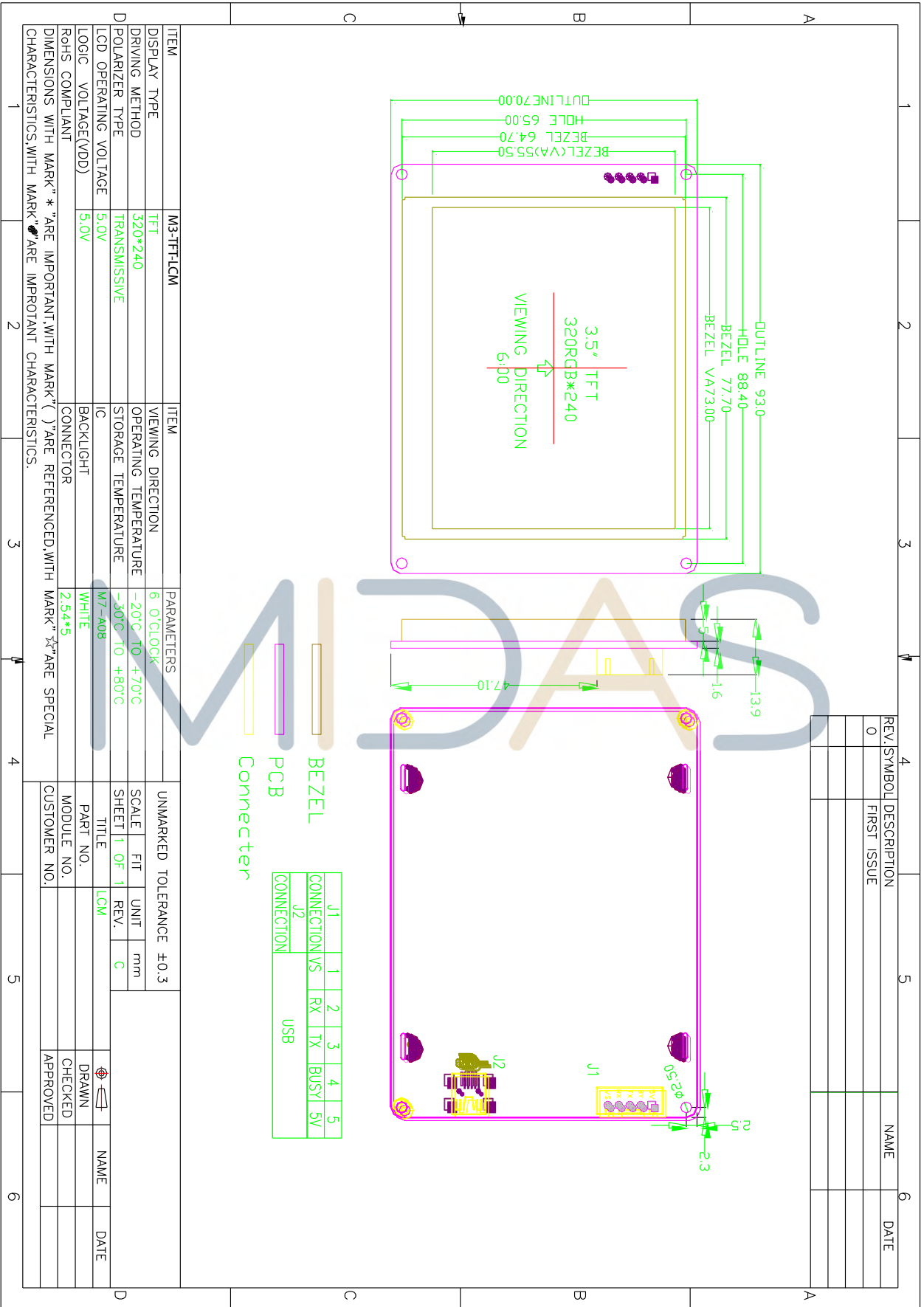
panel calibrating, demo setting, etc...

Config.ini already existed in flash memory before shipping out.

Below is the comments for config.ini

```
BaudRate=9600 // Uart baud rate
StartColor=30 // The color of starting
DemoStatus=1 // Demo ON (or OFF)
DemoTime=1000 // Demo interval (ms)
DemoXaddr=0 // Demo pic coordinate X
DemoYaddr=0 // Demo pic coordinate Y
Monitor=0 // Uart monitor
MotionSize1=1024 //Motion picture size (KB)
MotionSize2=200
MotionSize3=0
MotionSize4=0
TpTestFlag=1 // Test TP, it will display a small circle at clicking position.
TpColor=63488 // Color of small circle
TpInterval=10 // Interval of TP testing (ms)
***** DO NOT modify below KEY TFT timing parameters *****
TFT_CLK=0 //
TFT_THD= 800 //
TFT_THPW=48 //
TFT_THB=40 //
TFT_THFP=40 //
TFT_TVD=480 //
TFT_TVPW=3 //
TFT_TVB=29 //
TFT_TVFP=13 //
-----
RTPHV=0 //RTP wires order
XA=350
XB=-13605
YA=259
YB=-38457
```


7.0 Outline Drawing



ITEM	M3-TFT-LCM	ITEM	PARAMETERS	UNMARKED TOLERANCE	±0.3
DISPLAY TYPE	TFT	VIEWING DIRECTION	6:00\CLOCK	SCALE	FIT
DRIVING METHOD	320*240	OPERATING TEMPERATURE	-20°C TO +70°C	SHEET	1 OF 1
POLARIZER TYPE	TRANSMISSIVE	STORAGE TEMPERATURE	-30°C TO +80°C	REV.	C
LCD OPERATING VOLTAGE	5.0V	IC	M7-A08	TITLE	LCM
LOGIC VOLTAGE(VDD)	5.0V	CONNECTOR	WHITE	PART NO.	
ROHS COMPLIANT		CONNECTOR	2.54*5	MODULE NO.	
DIMENSIONS WITH MARK * ARE IMPORTANT.WITH MARK () ARE REFERENCED.WITH MARK * ARE SPECIAL CHARACTERISTICS.WITH MARK ARE IMPROTANT CHARACTERISTICS.				CUSTOMER NO.	

J1	1	2	3	4	5
CONNECTION VS		RX	TX	BUSY	5V
J2					USB
CONNECTION					

REV.	SYMBOL	DESCRIPTION	NAME	DATE
0		FIRST ISSUE		

8.0 User's Guide

Appendix I

Application of ACDSEE for classifying pictures

1. Collect materials for use into the folder of BMP_FILE; at the beginning, the pictures may be disordered and the processing of following steps is needed to make them in proper order for operation.



3. Sort the pictures successively beginning with 000.



5. Execute the batch file of BmptoBin.exe



6. After execution, there are two files generated in BMP_DATA, wherein BMPDATA.BIN is data file in which all picture data are put inside in order; TABLE.BIN is table file equivalent to index file. Copy these two files into the folder virtualized the module and then they are available for use.



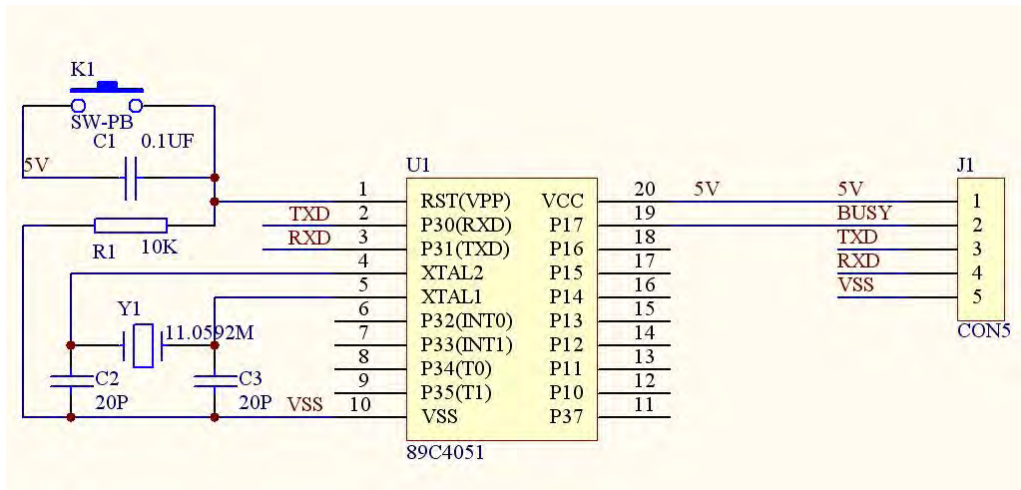
2. Convert all files into BMP format.



4. Reorder the special picture sequence, for instance, the animation part and special font part must be continuous.

Appendix II

Application circuit



MIDAS

9.0 Reliability Test Items

No	Item	Condition	Quantity
1	High Temperature Operating	50°C, 96Hrs	5
2	Low Temperature Operating	0°C, 96Hrs	5
3	High Humidity	60°C, 90%RH, 96Hrs	5
4	High Temperature Storage	80°C, 96Hrs	5
5	Low Temperature Storage	-40°C, 96Hrs	5
6	Thermal shock	-20°C, 30min~70°C, 30min, 20 cycles.	5

Note1. No deflection cosmetic and operational function allowable.

10.0 Package Specification TBD



X-ON Electronics

Largest Supplier of Electrical and Electronic Components

Click to view similar products for [midas](#) manufacturer:

Other Similar products are found below :

[MCT070LA12W1024600LML](#) [MCOT128064BY-WM](#) [MCOB21609AV-EWP](#) [MC42004A6W-SPTLY](#) [MC22008B6W-SPR](#)
[MCT035G12W320240LML](#) [MC11605A6WR-SPTLY-V2](#) [MC21605H6W-BNMLW-V2](#) [MCOT048064A1V-YI](#)
[MCT101E0CW1280800LMLIPS](#) [MCT104A0W1024768LML](#) [MCT070Z0W800480LML](#) [MCT0144C6W128128PML](#) [MCIB-16-LVDS-](#)
[CABLE](#) [MC41605A6W-FPTLA-V2](#) [MCOT128064UA1V-WM](#) [MCT101E0TW1280800LMLIPS](#) [MCT150B0W1024768LML](#)
[MCT050HDMI-A-RTP](#) [MCT050HDMI-A-CTP](#) [MCT070Z0TW1W800480LML](#) [MCT050ACA0CW800480LML](#) [MC42008A6W-SPTLY](#)
[MC42005A12W-VNMLY](#) [MC42005A12W-VNMLG](#) [MCT052A6W480128LML](#) [MC21605A6WK-BNMLW-V2](#) [MCOT256064A1A-BM](#)
[MCOT22005A1V-EYM](#) [MC20805A12W-VNMLG](#) [MC21605B6WD-BNMLW-V2](#) [MC22405A6WK-BNMLW-V2](#) [MC41605A6WK-](#)
[FPTLW-V2](#) [MCT101HDMI-A-RTP](#) [MCT024L6W240320PML](#) [MCCOG21605D6W-FPTLWI](#) [MC21605A6WD-SPTLY-V2](#)
[MC22005A6WK-BNMLW-V2](#) [MC24005AA6W9-BNMLW-V2](#) [MC42004A6WK-SPTLY-V2](#) [MC11609A6W-SPTLY-V2](#)
[MCOT064048A1V-YM](#) [MCOT128064BY-BM](#) [MCCOG128064B12W-FPTLRGB](#) [MC11609A6W-SPR-V2](#) [MC21605H6WK-BNMLW-V2](#)
[MCOT128064E1V-BM](#) [MCT070HDMI-B-RTP](#) [MDT5000C](#) [MCCOG42005A6W-BNMLWI](#)