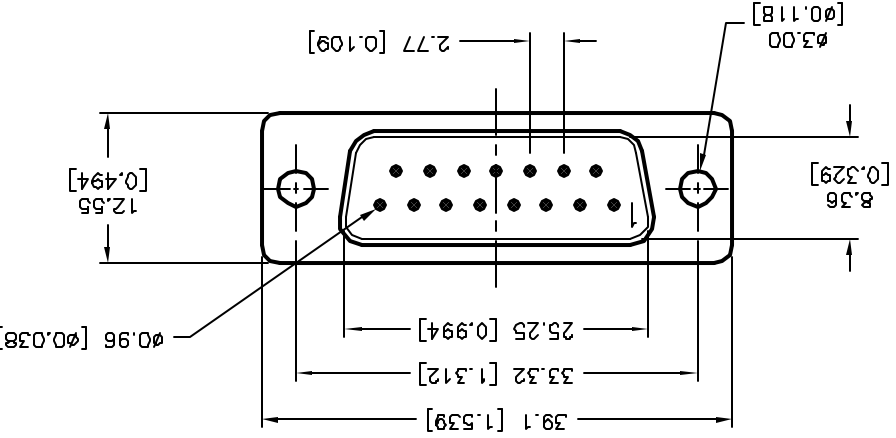


ALL RIGHTS RESERVED. NO PORTION OF THIS PUBLICATION, WHETHER IN WHOLE OR IN PART, CAN BE REPRODUCED WITHOUT THE EXPRESS WRITTEN CONSENT OF SPC TECHNOLOGY.

DCP #	REV	DESCRIPTION	DRAWN DATE	CHECKD DATE	APPRVD DATE
1876	A	RELEASED	07/25/06	JN	2/13/08
1959	B	Shell Plate was Zinc	2/13/08	JN	2/13/08

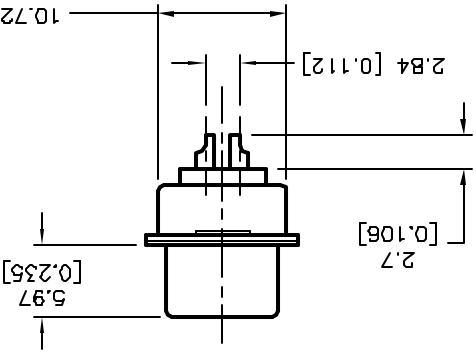
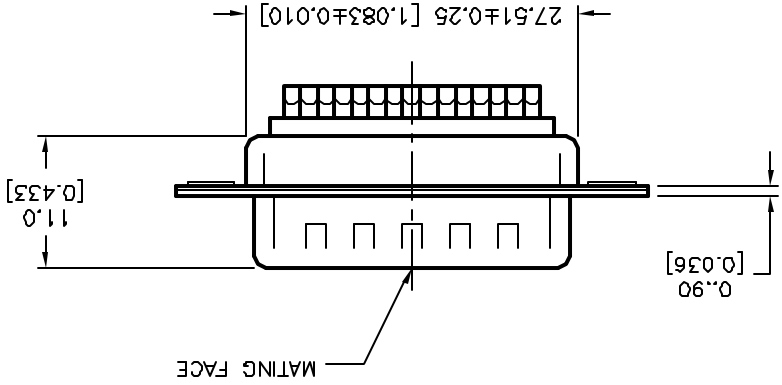
REVISIONS

DOC. NO. SPC-F005 + Effective 7/8/02 + DCP No. 1398



DISCLAIMER:
 ALL STATEMENTS AND TECHNICAL INFORMATION CONTAINED HEREIN ARE BASED UPON INFORMATION AND/OR TESTS WE BELIEVE TO BE ACCURATE AND RELIABLE. SINCE CONDITIONS OF USE ARE BEYOND OUR CONTROL, THE USER SHALL DETERMINE THE SUITABILITY OF THE PRODUCT FOR THE INTENDED USE AND ASSUME ALL RISK AND LIABILITY WHATSOEVER IN CONNECTION THEREWITH.

TOLERANCES:
 Unless Otherwise Specified
 X ±0.35 [0.014]
 XX ±0.2 [0.008]



SPECIFICATIONS:

1. Shell: Steel, Tin-Plate
2. Contact: Brass, 5 Micro Inch Gold-Plated over Nickel
3. Insulator: PBT & Glass-Fibre Reinforced
4. Current Rating: 5 Amps
5. Dielectric Strength: 1000 V for One Minute
6. Insulator Resistance: 1000 Megohms Min. at 500 VDC
7. Temperature: -50°C to +105°C

DATE:	07/25/06	DRAWN BY:	EKLAS ODISH
DATE:	2/13/08	CHECKED BY:	Jason Nash
DATE:	2/13/08	APPROVED BY:	Jason Nash
DATE:	2/13/08	APPROVED BY:	Jason Nash

REV	79K5026.DWG	79K5026.DWG
B	ELECTRONIC FILE	79K5026.DWG

U.O.M.: mm [INCHES]

SCALE: NTS

DATE: 2/13/08

DATE: 2/13/08

DATE: 2/13/08

DATE: 2/13/08

SHEET: 1 OF 1

DRAWING TITLE: 15 Pin D-Sub Plug, Machined Contacts

DWG. NO. SPC15449

SIZE A

SCALE: NTS

U.O.M.: mm [INCHES]

U.O.M.: mm [INCHES]

X-ON Electronics

Largest Supplier of Electrical and Electronic Components

Click to view similar products for [spc technology manufacturer](#):

Other Similar products are found below :

[2N5884](#) [2N6438](#) [SPC19947](#) [2N5886](#) [SPC19942](#) [SPC19944](#) [MJE15030](#) [SPC15477](#) [SPC15391](#) [2N5320](#)