

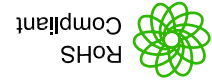
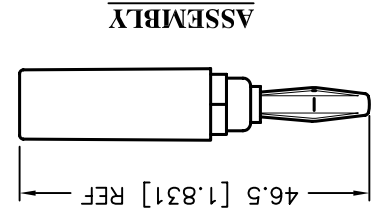
DISCLAIMER:
 ALL STATEMENTS AND TECHNICAL INFORMATION CONTAINED
 HEREIN ARE BASED UPON INFORMATION AND/OR TESTS WE
 BELIEVE TO BE ACCURATE AND RELIABLE. SINCE
 CONDITIONS OF USE ARE BEYOND OUR CONTROL, THE
 USER SHALL DETERMINE THE SUITABILITY OF THE PRODUCT
 FOR THE INTENDED USE AND ASSUME ALL RISK AND
 LIABILITY WHATSOEVER IN CONNECTION THEREWITH.

TOLERANCES:
 Unless Otherwise
 Specified
 .X ±0.2 [0.008]
 .XX ±0.12 [0.005]

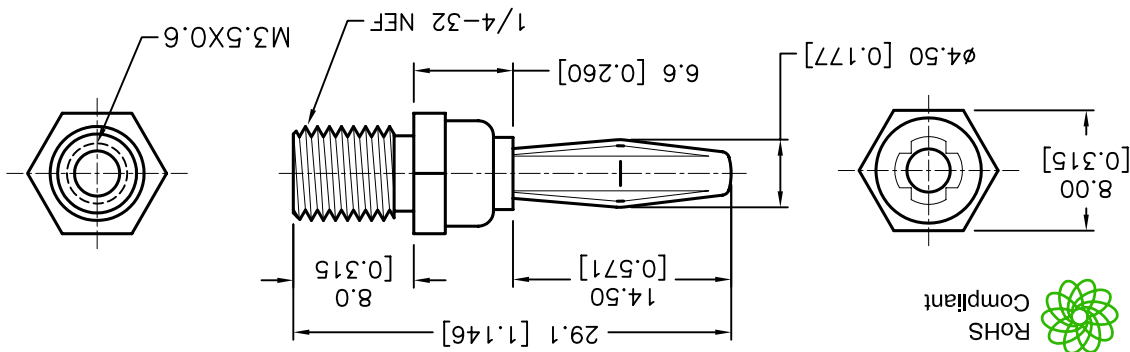
HISHAM ODISH	DATE:	05/25/06
APPROVED BY:	DATE:	05/25/06
THOMAS LEE	DATE:	05/25/06
CHECKED BY:	DATE:	05/23/06
EKLAS ODISH	DATE:	05/23/06
DRAWN BY:	DATE:	05/23/06

SCALE: NTS	U.O.M.: mm [INCHES]	SHEET: 1 OF 1
SIZE	DWG. NO.	REV
A	TA-705	A
DRAWING TITLE: INSULATED BANANA PLUG, ROHS COMPLIANT		
ELECTRONIC FILE TA-705.DWG		

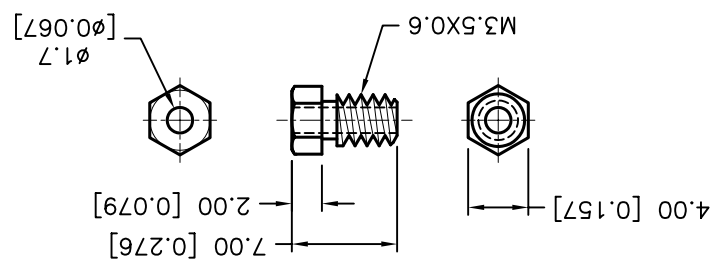
SPC TYPE No.	COLOR
SPC15156	YELLOW
SPC15223	WHITE
SPC15377	RED
SPC15246	GREEN
SPC15161	BLUE
SPC15374	BLACK



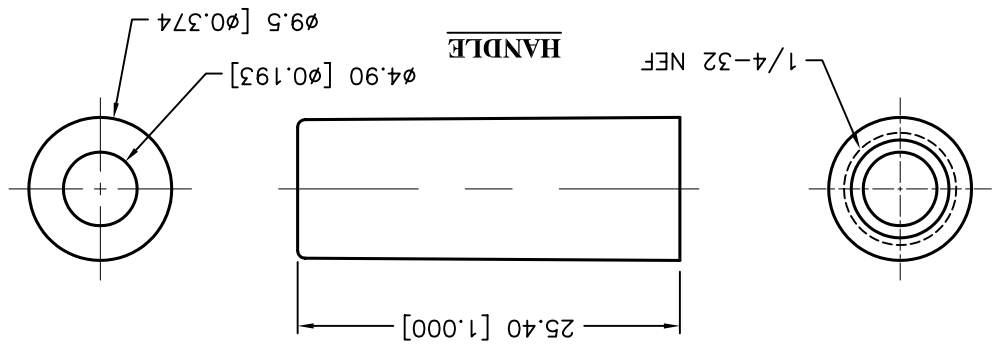
PLUG BODY



INTERNAL STUD



HANDLE



- Material:**
1. Body: Brass, Nickel-Plated
 2. Banana Plug: Phosphor Bronze, Nickel-Plated
 3. Internal Stud: Brass, Nickel-Plated
 4. Handle: ABS



ALL RIGHTS RESERVED. NO PORTION OF THIS PUBLICATION,
 WHETHER IN WHOLE OR IN PART CAN BE REPRODUCED
 WITHOUT THE EXPRESS WRITTEN CONSENT OF SPC
 TECHNOLOGY.

SPC-F005.DWG

DCP #	REV	DESCRIPTION	DRAWN	DATE	CHECKD	DATE	APPRVD	DATE
1876	A	RELEASED	EO	05/23/06	TL	05/25/06	HO	05/25/06

DCP NO. SPC-F005 * Effective: 7/8/02 * DCP No: 1398

X-ON Electronics

Largest Supplier of Electrical and Electronic Components

Click to view similar products for [Test Plugs & Test Jacks](#) category:

Click to view products by [Tenma](#) manufacturer:

Other Similar products are found below :

[579-0400](#) [66000-7](#) [R644543000](#) [R921923000](#) [R921930000](#) [R941344000](#) [R948161000](#) [R999351000](#) [1408-4](#) [1533-1](#) [174-R825B-EX](#)
[NYS508-BU](#) [1680](#) [174-R819B-EX](#) [R644543003](#) [R644543004](#) [R644543020](#) [R644543021](#) [R921926000](#) [R921931000](#) [R921932000](#)
[R921934000](#) [R929991000](#) [R941460000](#) [R941461000](#) [R941463600](#) [R941920600](#) [R948160000](#) [31B-2-RED](#) [032-0016-023](#) [105-1106-001](#)
[108-1000-106](#) [108-2301-621](#) [66001-9](#) [7013](#) [1395080-1](#) [930166100](#) [NYS508-GR](#) [NYS508-W](#) [NYS508-Y](#) [NYS511-R](#) [BP30-2BR10-B PKG](#)
[BP30-10-WT](#) [BP30-2BR-B PKG](#) [BP30Y-1 PKG](#) [R941049000](#) [R941340000](#) [R948141029](#) [R921922000](#) [R644543022](#)