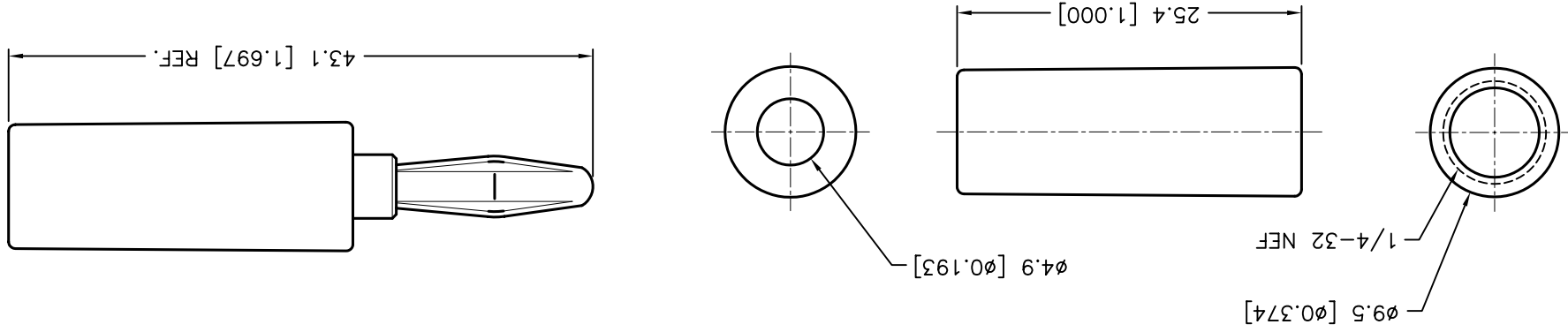
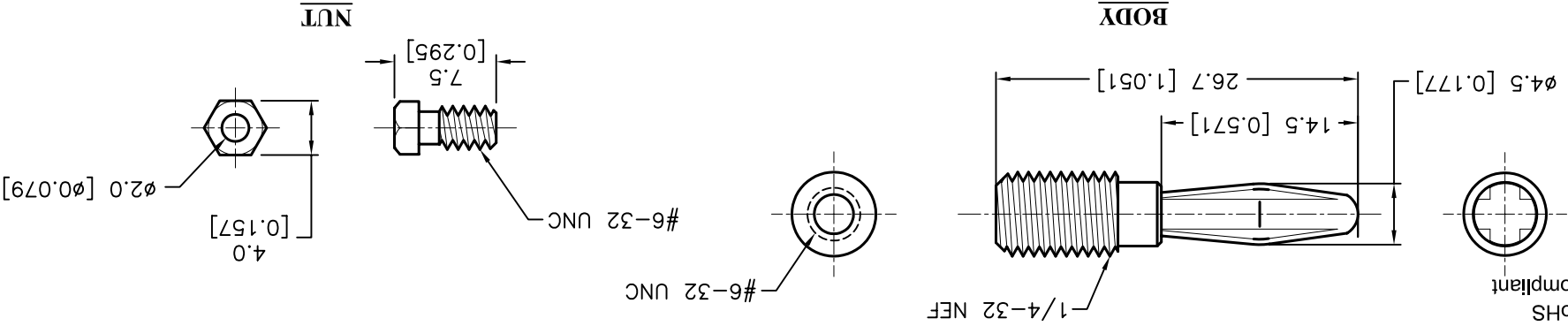
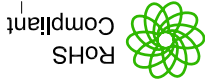


DCP #	1876
REV	A

REVISIONS

DOC. NO. SPC-F005	Effective: 7/8/02	* DCP No.: 1398
DRAWN DATE	CHECKD DATE	APPRVD DATE
EO 05/23/06	TL 05/25/06	HO 05/25/06
RELEASED		

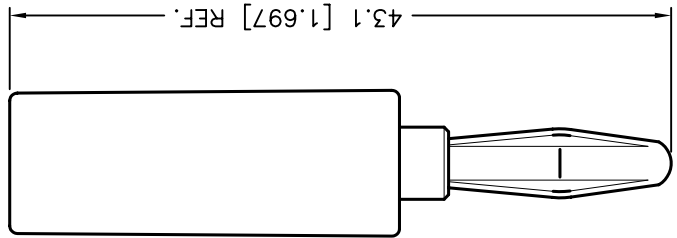


SPC TYPE No.	COLOR
SPC15170	GREEN
SPC15144	YELLOW
SPC15327	BLACK
SPC15329	RED

Material:

1. Plug Body: Brass, Nickel-Plated
2. Banana Plug: Phosphor Bronze, Nickel-Plated
3. Nut: Brass, Nickel-Plated
4. Handle: ABS

ASSEMBLY



TOLERANCES:

Unless Otherwise Specified
 .X ± 0.2 [0.008]
 .XX ± 0.12 [0.005]

DISCLAIMER:
 ALL STATEMENTS AND TECHNICAL INFORMATION CONTAINED HEREIN ARE BASED UPON INFORMATION AND/OR TESTS WE BELIEVE TO BE ACCURATE AND RELIABLE. SINCE CONDITIONS OF USE ARE BEYOND OUR CONTROL, THE USER SHALL DETERMINE THE SUITABILITY OF THE PRODUCT FOR THE INTENDED USE AND ASSUME ALL RISK AND LIABILITY WHATSOEVER IN CONNECTION THEREWITH.

DRAWN BY:	EKLAS ODISH	DATE:	05/23/06
CHECKED BY:		DATE:	
THOMAS LEE		DATE:	05/25/06
APPROVED BY:		DATE:	05/25/06
HISHAM ODISH		DATE:	

DRAWING TITLE: INSULATED BANANA PLUG, ROHS COMPLIANT		SCALE: NTS	U.O.M.: mm [INCHES]	SHEET: 1 OF 1
SIZE	DWG. NO.	TA-710	TA-710.DWG	REV
A				A

X-ON Electronics

Largest Supplier of Electrical and Electronic Components

Click to view similar products for [Test Plugs & Test Jacks](#) category:

Click to view products by [Tenma](#) manufacturer:

Other Similar products are found below :

[579-0400](#) [66000-7](#) [R644543000](#) [R921923000](#) [R921930000](#) [R941344000](#) [R948161000](#) [R999351000](#) [1408-4](#) [1533-1](#) [174-R825B-EX](#)
[NYS508-BU](#) [1680](#) [174-R819B-EX](#) [R644543003](#) [R644543004](#) [R644543020](#) [R644543021](#) [R921926000](#) [R921931000](#) [R921932000](#)
[R921934000](#) [R929991000](#) [R941460000](#) [R941461000](#) [R941463600](#) [R941920600](#) [R948160000](#) [31B-2-RED](#) [032-0016-023](#) [105-1106-001](#)
[108-1000-106](#) [108-2301-621](#) [66001-9](#) [7013](#) [1395080-1](#) [930166100](#) [NYS508-GR](#) [NYS508-W](#) [NYS508-Y](#) [NYS511-R](#) [BP30-2BR10-B PKG](#)
[BP30-10-WT](#) [BP30-2BR-B PKG](#) [BP30Y-1 PKG](#) [R941049000](#) [R941340000](#) [R948141029](#) [R921922000](#) [R644543022](#)