

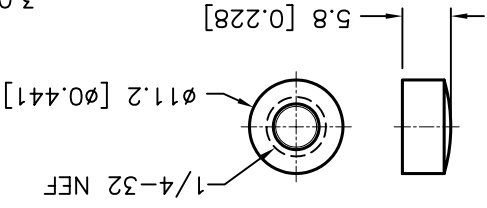
DCP #	REV	DESCRIPTION	DATE	DATE	DATE	DATE	DATE
1876	A	RELEASED	05/23/06	05/23/06	05/25/06	05/25/06	05/25/06
1921	B	Update Specification	8/7/06	8/7/06	8/7/06	8/7/06	8/7/06

REVISIONS

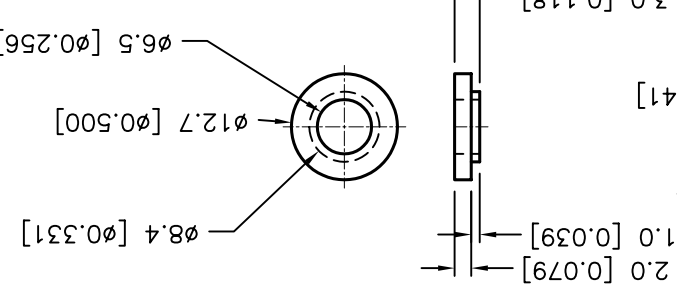
DOC. NO. SPC-F005 * Effective: 7/8/02 * DCP No: 1398



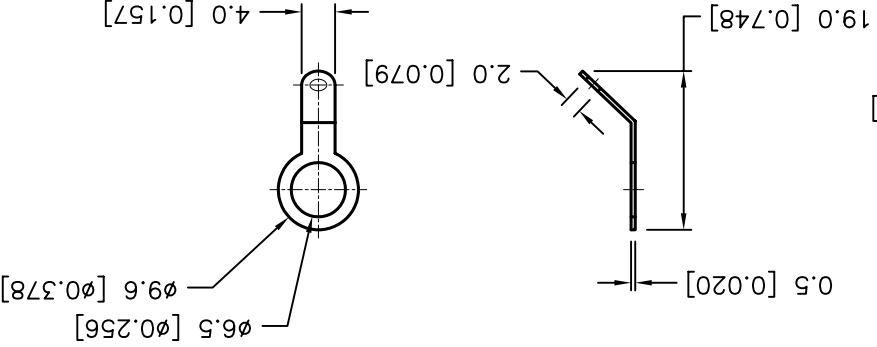
INSULATED HEAD



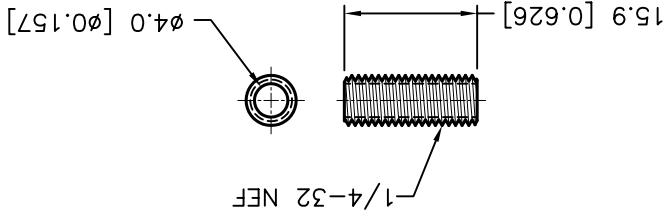
INSULATED WASHER



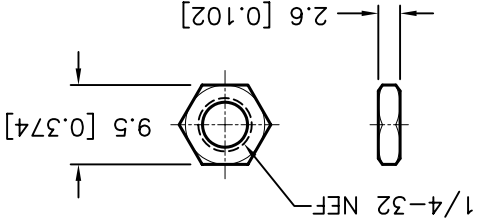
SOLDER LUG



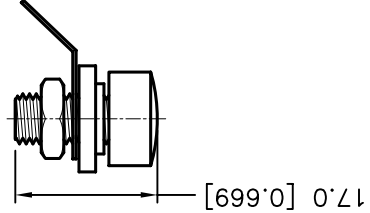
THREADED BODY



NUT



ASSEMBLY



SPECIFICATIONS:

1. Threaded Body: Brass, Nickel-Plated
2. Insulated Head: ABS (Max. Heat Deflection Temperature: 89°C)
3. Insulated Washer: ABS
4. Solder Lug: Brass, Nickel-Plated
5. Nut: Brass, Nickel-Plated

SPC TYPE No.	COLOR
SPC15354	BLACK
SPC15363	RED
SPC15182	GREEN
SPC15190	YELLOW

TOLERANCES:

Unless otherwise Specified
 .X ±0.2 [0.008]
 .XX ±0.12 [0.005]

DISCLAIMER:
 ALL STATEMENTS AND TECHNICAL INFORMATION CONTAINED HEREIN ARE BASED UPON INFORMATION AND/OR TESTS WE BELIEVE TO BE ACCURATE AND RELIABLE, SINCE USER SHALL DETERMINE THE SUITABILITY OF THE PRODUCT FOR THE INTENDED USE AND ASSUME ALL RISK AND LIABILITY WHATSOEVER IN CONNECTION THEREWITH.

DATE: 05/23/06	DRAWN BY: EKLAS ODISH
DATE: 05/25/06	CHECKED BY: THOMAS LEE
DATE: 05/25/06	APPROVED BY: HISHAM ODISH
SCALE: NTS	U.O.M.: mm [INCHES]
SHEET: 1 OF 1	

SIZE: A	DWG. NO. TA-714	DRAWING TITLE: INSULATED BANANA JACK, ROHS COMPLIANT
REV: B	ELECTRONIC FILE TA-714DWG	

X-ON Electronics

Largest Supplier of Electrical and Electronic Components

Click to view similar products for [Test Plugs & Test Jacks](#) category:

Click to view products by [Tenma](#) manufacturer:

Other Similar products are found below :

[579-0400](#) [66000-7](#) [R644543000](#) [R921923000](#) [R921930000](#) [R941344000](#) [R948161000](#) [R999351000](#) [1408-4](#) [1533-1](#) [174-R825B-EX](#)
[NYS508-BU](#) [1680](#) [174-R819B-EX](#) [R644543003](#) [R644543004](#) [R644543020](#) [R644543021](#) [R921926000](#) [R921931000](#) [R921932000](#)
[R921934000](#) [R929991000](#) [R941460000](#) [R941461000](#) [R941463600](#) [R941920600](#) [R948160000](#) [31B-2-RED](#) [032-0016-023](#) [105-1106-001](#)
[108-1000-106](#) [108-2301-621](#) [66001-9](#) [7013](#) [1395080-1](#) [930166100](#) [NYS508-GR](#) [NYS508-W](#) [NYS508-Y](#) [NYS511-R](#) [BP30-2BR10-B PKG](#)
[BP30-10-WT](#) [BP30-2BR-B PKG](#) [BP30Y-1 PKG](#) [R941049000](#) [R941340000](#) [R948141029](#) [R921922000](#) [R644543022](#)