

Ultra-Miniature Temperature Transmitters

Thermocouple or RTD (Pt100)

TX93A/TX94A



items shown smaller than actual size.

- ✓ $\pm 0.1\%$ FS Accuracy
- ✓ 4 to 20 mA DC Output
- ✓ Only 35.6 mm (1.4") Diameter
- ✓ Upscale Break Protection
- ✓ J, K, T, or E Thermocouple Input
- ✓ 100 Ω Platinum RTD Input

NEWPORT Ultra-Miniature temperature transmitters convert millivolt inputs from thermocouples or resistance from RTDs into 4-20mA outputs. Transmitters are available in color-coded enclosures covering the four most popular thermocouple types (J, K, T and E) as well as three-wire 100 Ohm platinum RTDs.

Featuring state-of-the-art integrated circuits and electronic design these ultra-compact transmitters have a diameter of only 35.6mm (1.40") and are designed to fit in many compact thermowell protection heads such as the Newport **NB2**. Newport also provides complete thermocouple and RTD assemblies.

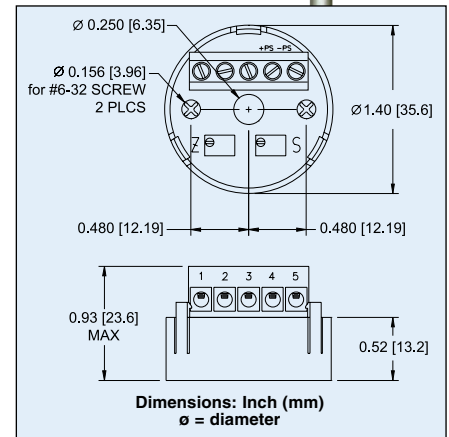
TX93A and **TX94A** transmitters can eliminate long runs of costly field wiring in a variety of applications. A stable 4-20 mA output signal is provided proportional to the transmitters specific input type and calibrated temperature range (see Range Code Table below). Adjustability of $\pm 25\%$ for zero and span is provided to facilitate some rangeability. The transmitted signal eliminates noise pickup, voltage drops, multiple cold junction errors and requires only a twisted pair of copper wire for loop connections.

All models and ranges of these Newport ultra-miniature transmitters are available with fully epoxy-potted electronics (specify **-P** option) providing the ultimate protection in extreme environments.

Specifications

Output Range: 4 to 20 mA dc
Zero and Span Adjustment Range: $\pm 25\%$
Accuracy: $\pm 0.1\%$ FS (includes effects of linearity, hysteresis and repeatability)
Frequency Response: 3 dB @ 3 Hz
Ambient Temp. Range: -25 to 85°C (-13 to 185°F)
Storage Temp. Range: -65 to 125°C (-85 to 257°F)
Supply Voltage: 8 to 35 Vdc; 24 Vdc recommended
Max Loop $V_s - 8$
Resistance: 0.020A
Dimensions: 35.6 D x 23.6 mm H (1.40 x 0.93") (height includes terminal strip)
Weight: 15g (0.53 oz), 25 g (0.8 oz) if epoxy-potted

Mechanical



To Order Visit newportUS.com/tx93a_tx94a for Pricing and Details

Model No.	Description
TX93A-(*)	Thermocouple transmitter (J, K, T or E)
TX93A-(*)-P	Thermocouple transmitter, fully epoxy-potted electronics for extreme environments
TX94A-(*)	RTD transmitter (100 Ω Pt, alpha = 0.00385)
TX94A-(*)-P	RTD transmitter, fully epoxy-potted electronics for extreme environments
NB2TX93A-(*)	TX93A mounted into a NB2 aluminum protection head, with 12" ungrounded probe (J, K, T, E), 304 SS sheath, 1/4" diameter
PRTX94A-(*)	TX94A mounted into a PR14 miniature aluminum protection head, with 12" sheath length, 1/4" probe diameter
,FS	Special factory scaling

* Insert range code from chart below.

Range Codes

Model No.					Temperature Range
TX93A				TX94A	
J	K	T	E	RTD	
J1			E1	1	-40 to 49°C (-40 to 120°F)
J2	K2	T2	E2	2	-18 to 93°C (0 to 200°F)
J3	K3	T3	E3	3	-18 to 149°C (0 to 300°F)
J4	K4	T4	E4	4	-18 to 260°C (0 to 500°F)
J5	K5	T5	E5	5	-18 to 399°C (0 to 750°F)
J6	K6		E6	6	-18 to 538°C (0 to 1000°F)

Notes: (1) Thermocouple models, output proportional to mV output of thermocouple. Not linearized to temperature. (2) Non-isolated unit for use with ungrounded probes. (3) Each unit supplied with complete operator's manual.

Ordering Example: TX93A-J4, Type J, transmitter with -18 to 260°C (0 to 500°F) range.
 NB2TX93A-J2, specifies a Type J transmitter assembly with -18 to 93°C (0 to 200°F) range.
 TX93A-J2,FS, specifies a Type J transmitter factory scaled to 4-20 mA = 0 to 100°F.

X-ON Electronics

Largest Supplier of Electrical and Electronic Components

Click to view similar products for [Terminal Block Interface Modules](#) category:

Click to view products by [Newport](#) manufacturer:

Other Similar products are found below :

[73-551-6002I](#) [GCN1MX25B](#) [11S](#) [DIN-50P-01](#) [DIN-68H-01](#) [DIN-96DI-01](#) [2291901](#) [2900185](#) [2903392](#) [2907794](#) [2M10FCL](#) [2281759](#)
[2906249](#) [2907808](#) [TB ML 3P ST D5.08](#) [5604442](#) [XW2B-40G5-T](#) [5606629](#) [XW2B-20G5-D](#) [2903870](#) [5541988](#) [5541962](#) [1776613-1](#) [XW2B-](#)
[34G4](#) [XW2B-60G5](#) [XW2R-E34G-C1](#) [XW2R-E34G-C3](#) [XW2R-J40G-T](#) [XW2R-P34G-C4](#) [XW2B-50G5](#) [XW2R-E40G-T](#) [XW2R-E34G-C2](#)
[XW2R-J34G-C2](#) [ADAM-3920R-AE](#) [060-6827-06](#) [2311030](#) [2287708](#) [XW2C-20G6-IO16](#) [XW2R-J20G-T](#) [XW2B-60G4](#) [GCN1-T](#)
[00111550102](#) [2908853](#) [2908851](#) [2908852](#) [2908850](#) [1033201](#) [5541234](#) [410-261](#) [5521322](#)