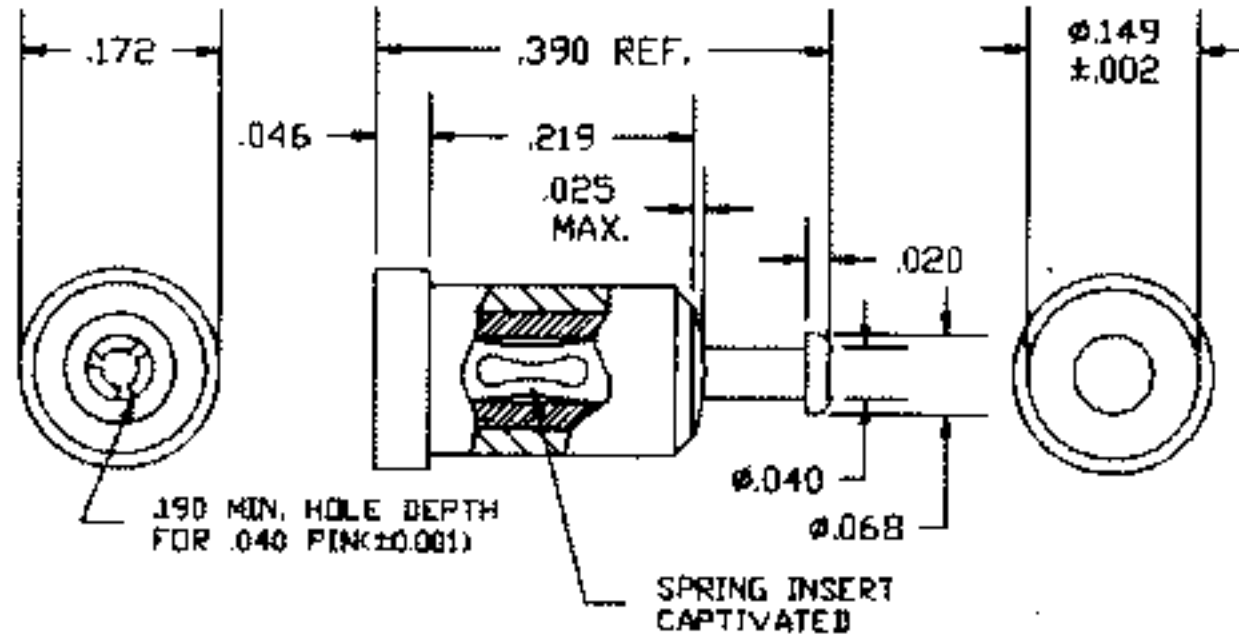


JACK-PTFE INSULATED-CLOSED ENTRY

09-9011-1-XX XX JACK FOR .040 PIN

BASIC PART NO. FINISH COLOR



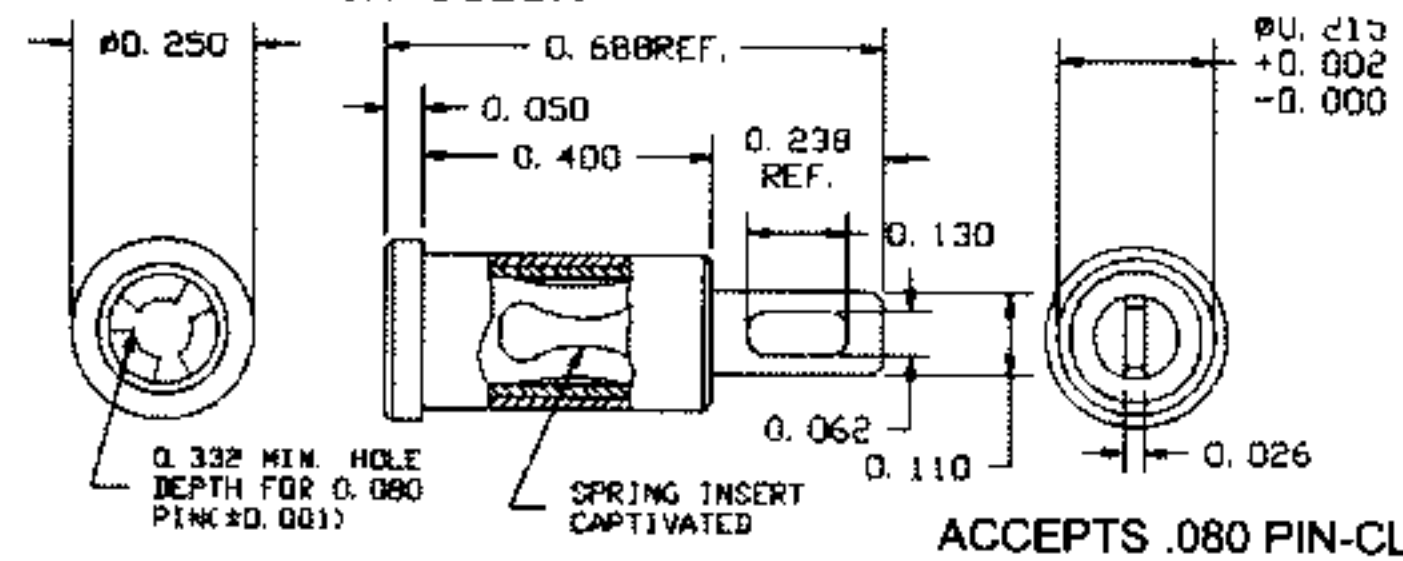
ACCEPTS .040 PIN-CLOSED ENTRY BOARD THICKNESS .031 TO .094

PART NO.	BODY (BRASS)	SPRING (BERYLLIUM COPPER)
09-9011-1-03	Gold	Gold
04	Electro Tin	Electro Tin
06	Electro Tin	Gold
063	Bright Tin-Lead	Gold
088	Bright Tin-Lead	Bright Tin-Lead

RECOMMENDED MOUNTING HOLE .136 DIA. (SEE PAGE 139)

09-9060-1-XX XX JACK FOR .080 PIN

BASIC PART NO. FINISH COLOR



ACCEPTS .080 PIN-CLOSED ENTRY

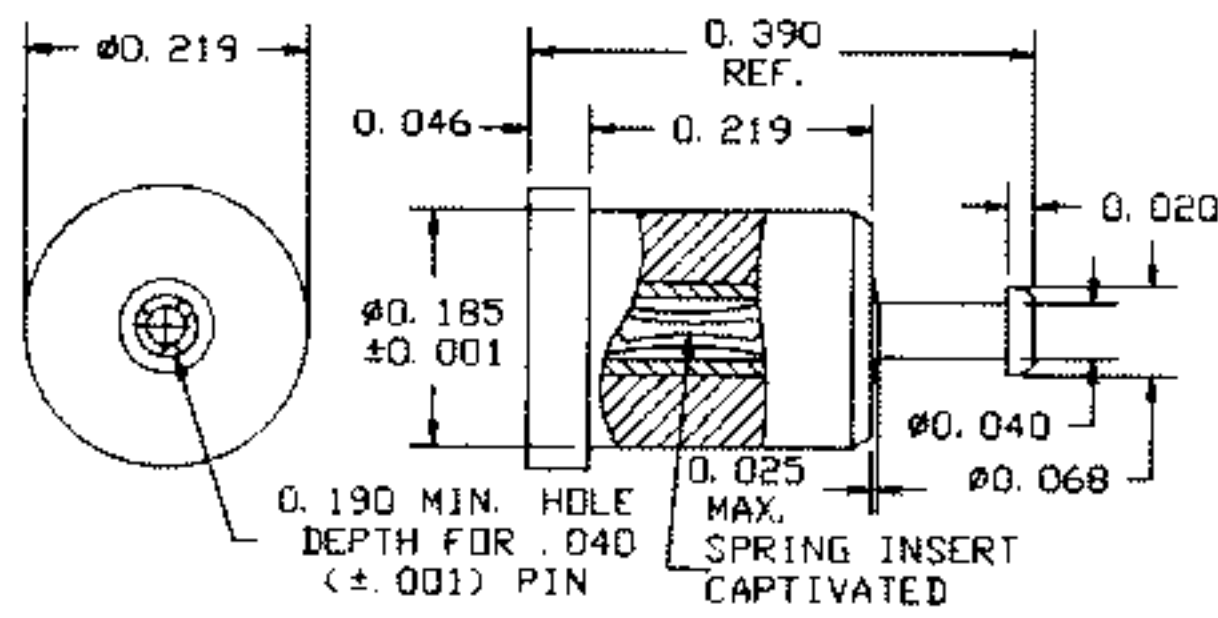
PART NO.	BODY (BRASS)	SPRING (BERYLLIUM COPPER)
09-9060-1-03	Gold	Gold
04	Electro Tin	Electro Tin
06	Electro Tin	Gold
063	Bright Tin-Lead	Gold
088	Bright Tin-Lead	Bright Tin-Lead

RECOMMENDED MOUNTING HOLE .203 (SEE PAGE 139)

PANEL JACKS AND FEED THRU TERMINAL

09-9012-1-XX XX JACK FOR .040 PIN

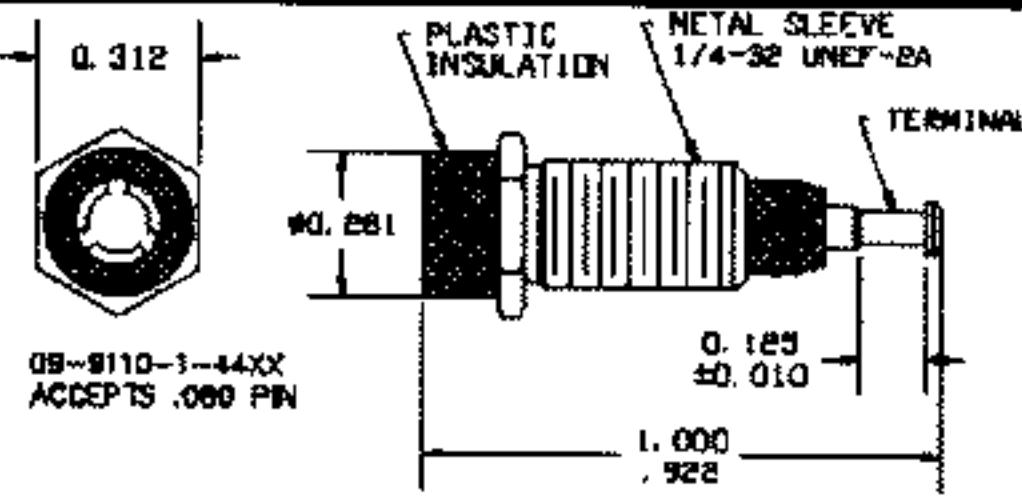
BASIC PART NO. FINISH COLOR



ACCEPTS .040 PIN-CLOSED ENTRY BOARD THICKNESS .031 TO .094

PART NO.	BODY (BRASS)	SPRING (BERYLLIUM COPPER)
09-9012-1-03	Gold	Gold
04	Electro Tin	Electro Tin
06	Electro Tin	Gold
063	Bright Tin-Lead	Gold
088	Bright Tin-Lead	Bright Tin-Lead

RECOMMENDED MOUNTING HOLE .172 DIA. (SEE PAGE 139)



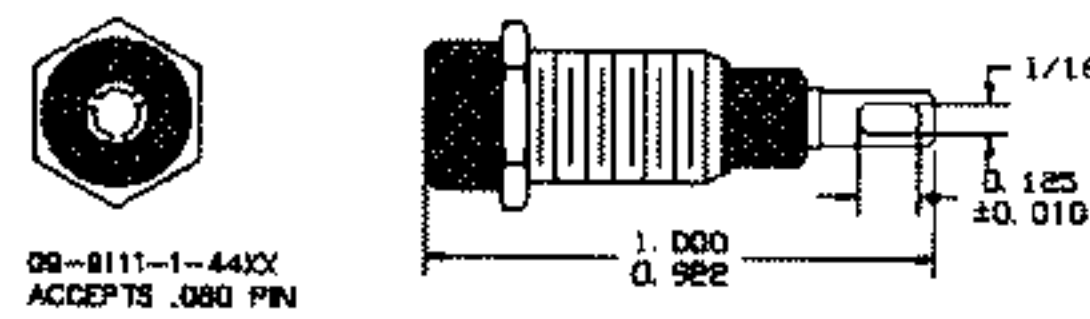
09-9110-1-044XX ACCEPTS .080 PIN

09-9110-1-044XX

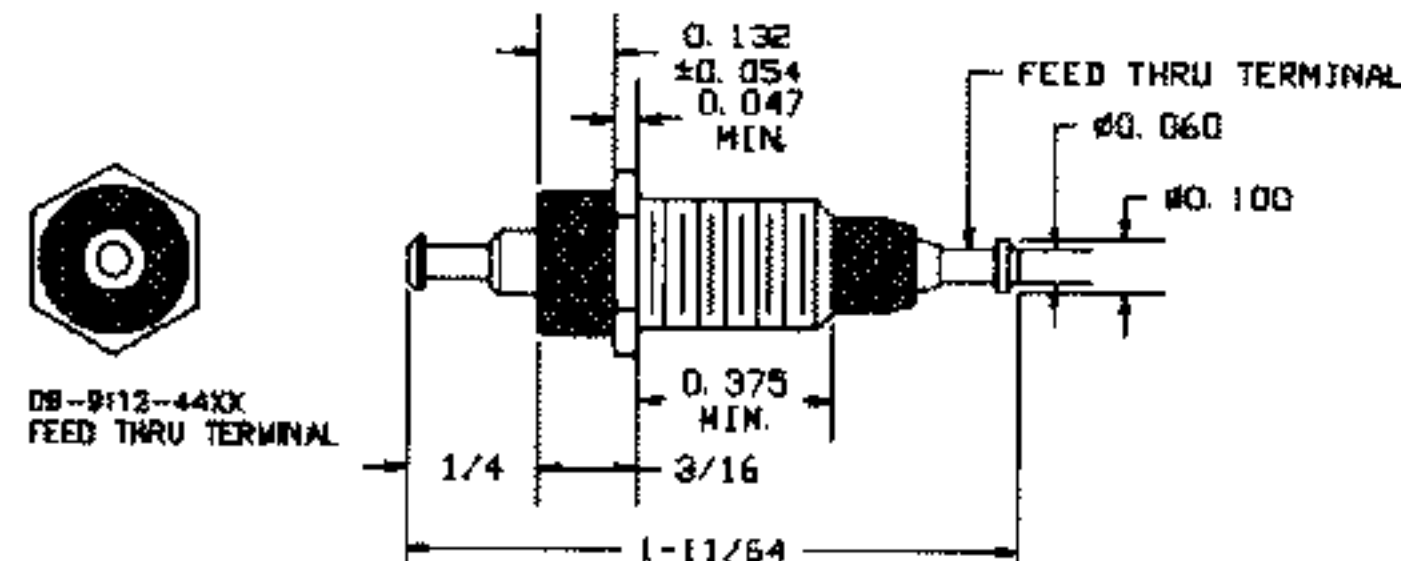
09-9111-1-044XX

09-9112-1-044XX

BASIC PART NO. FINISH COLOR



09-9111-1-044XX ACCEPTS .080 PIN



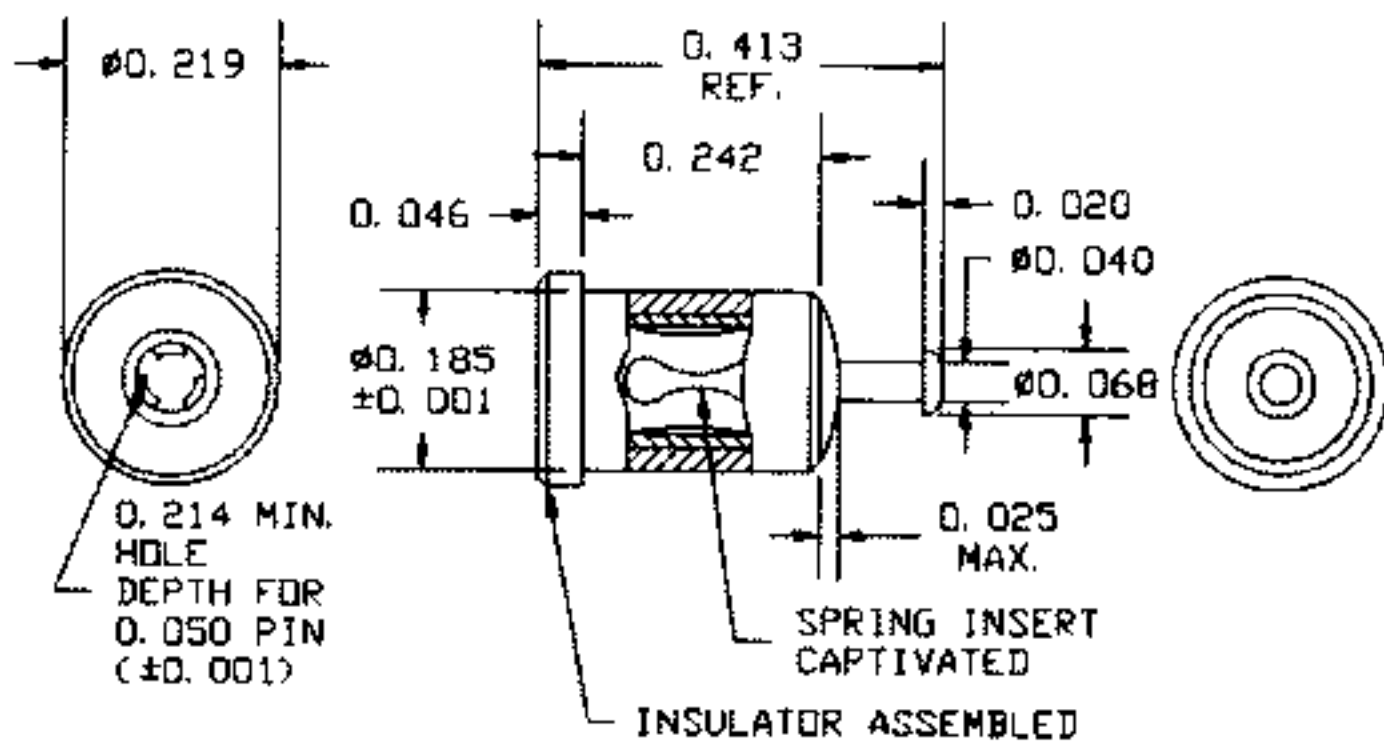
09-9112-1-044XX FEED THRU TERMINAL

PART NO.	INSULATION	METAL SLEEVE	TERMINAL BODY
09-9110-1-044XX	SEE COLOR (NYLON)	NICKEL (BRASS)	BRIGHT TIN (PHOSPHOR BRONZE)
09-9111-1-044XX	SEE COLOR (NYLON)	NICKEL (BRASS)	BRIGHT TIN (PHOSPHOR BRONZE)
09-9112-1-044XX	SEE COLOR (NYLON)	NICKEL (BRASS)	BRIGHT TIN (BRASS)

SUPPLIED UNASSEMBLED NICKEL BRASS MOUNTING HEX NUT NICKEL PLATED PHOSPHOR BRONZE INTERNAL TOOTH LOCKWASHER

09-9092-1-0319 JACK FOR .050 PIN

BASIC PART NO. FINISH COLOR



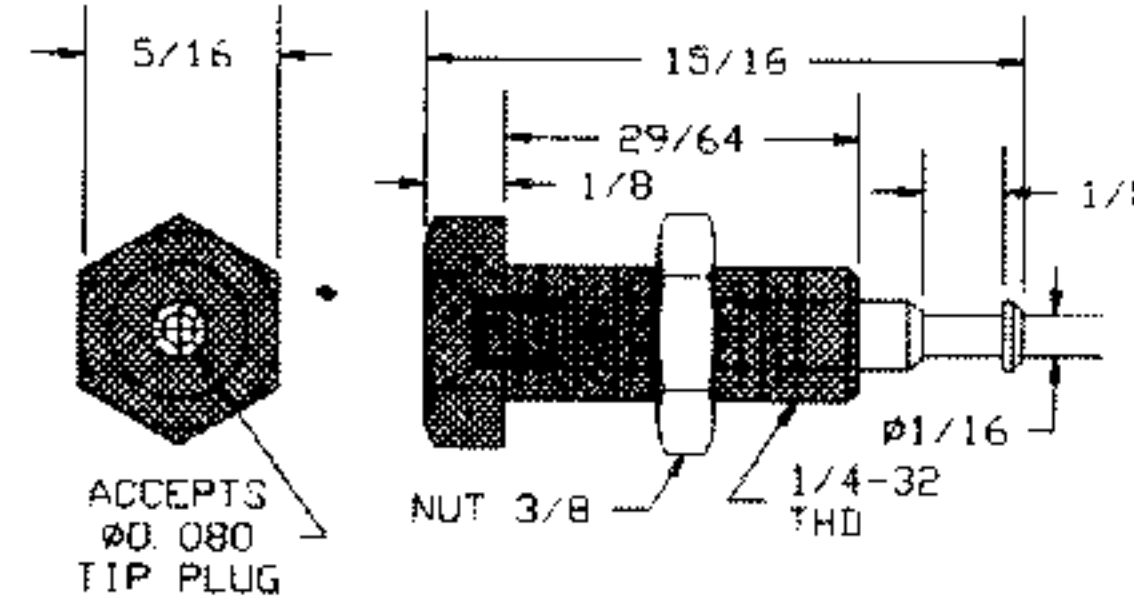
ACCEPTS .050 PIN-CLOSED ENTRY BOARD THICKNESS .031 TO .094

PART NO.	BODY (BRASS)	SPRING (BERYLLIUM COPPER)
09-9092-1-03	Gold	Gold

RECOMMENDED MOUNTING HOLE .172 DIA. (SEE PAGE 139)

09-9150-1-044XX

BASIC PART NO. FINISH COLOR



ACCEPTS .080 TIP PLUG

HEX HEAD TIP JACK

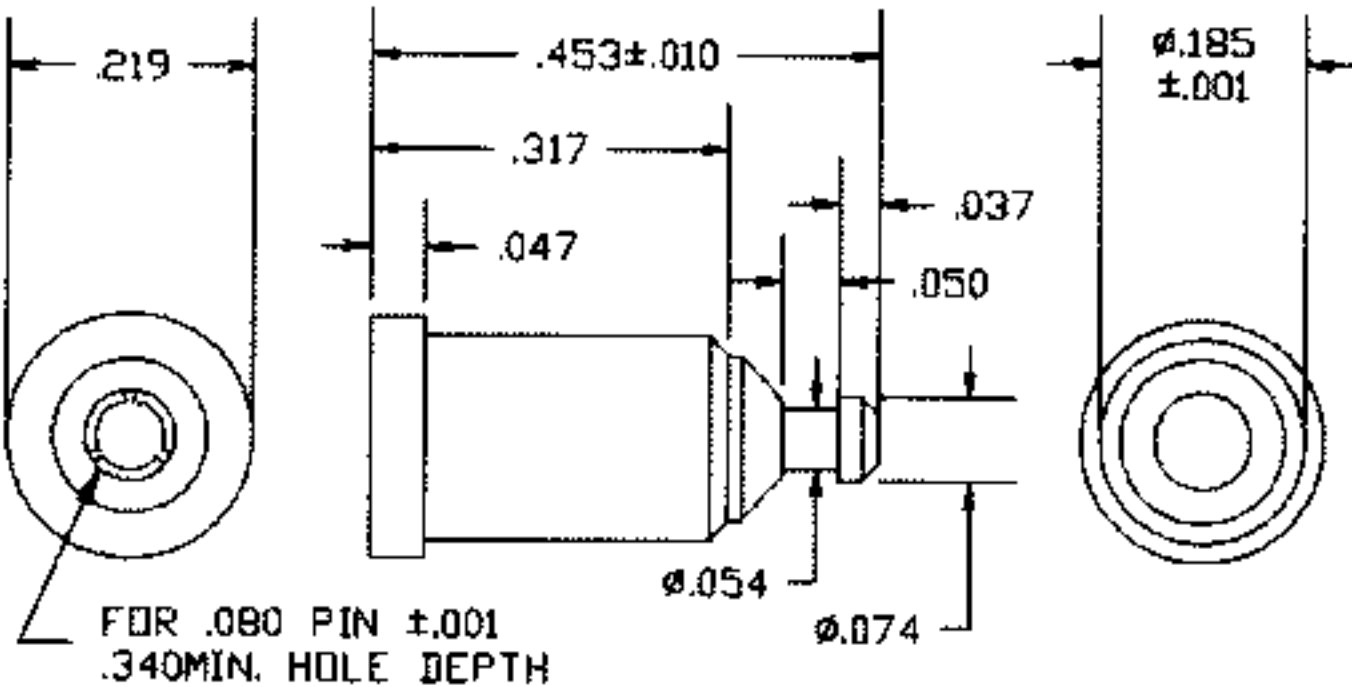
POLYCARBONATE

RATED FOR 10 AMPS CONTINUOUS DUTY

ACCEPTS STANDARD .080 TIP PLUG MOUNTS IN 1/4 HOLE IN PANELS UP TO 1/4 THICK.

09-9084-1-03 XX JACK FOR .080 PIN

BASIC PART NO. FINISH COLOR



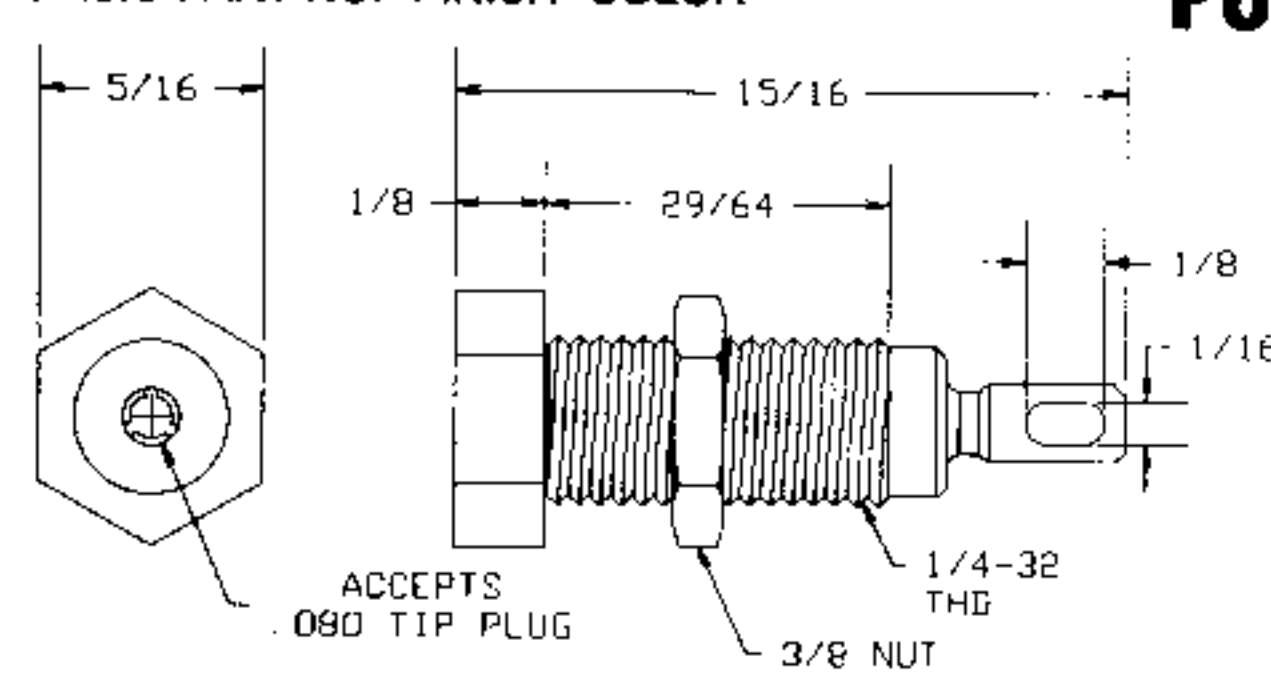
ACCEPTS .080 PIN

PART NO.	BODY (BRASS)	SPRING (BERYLLIUM COPPER)
09-9084-1-03	Gold	Gold

RECOMMENDED MOUNTING HOLE .172 DIA. (SEE PAGE 139)

09-9151-1-044XX

BASIC PART NO. FINISH COLOR



ACCEPTS .080 TIP PLUG

HEX HEAD TIP JACK

POLYCARBONATE

RATED FOR 10 AMPS CONTINUOUS DUTY

ACCEPTS STANDARD .080 TIP PLUG MOUNTS IN 1/4 HOLE IN PANELS UP TO 1/4 THICK.

FOR ADDITIONAL SIZES AND MATERIALS, CONTACT FACTORY

CONCORD

X-ON Electronics

Largest Supplier of Electrical and Electronic Components

Click to view similar products for [Terminals](#) category:

Click to view products by [Concord](#) manufacturer:

Other Similar products are found below :

[HT-13-10](#) [71M-250-32-NB](#) [01-2065-1-0216](#) [00581P0075](#) [M10-10RX](#) [M10BCK](#) [60205-1](#) [604200-1](#) [60598-1-CUT-TAPE](#) [60617-1-C](#) [60873-1](#) [M14-516R/SK](#) [M14-6RSX](#) [M18-10FLX](#) [M18-8FBX](#) [M18-8R/LX](#) [M18BCK](#) [61314-6-C](#) [61-S](#) [61-SN-A](#) [62149-1](#) [62-NBM-A](#) [63-S](#) [640179-1](#) [640917-2-CUT-TAPE](#) [6501550002](#) [66107-2-C](#) [66107-4-C](#) [696683-1](#) [696834-1](#) [696861-1](#) [696931-1](#) [696999-1](#) [M8-516RK](#) [M86700006](#) [MA250DMFMX-A](#) [701-2007](#) [701-2307](#) [701-7761-03](#) [70F-110-32-PB](#) [718-N-A](#) [71M-187-20-NBL](#) [71M-250-32-NBL](#) [72F-187-20-NBL](#) [72M-250-32-NBL](#) [7310](#) [73F-250-32](#) [73F-250-32-NBL](#) [73F-250-32-NL](#) [F-1M](#)