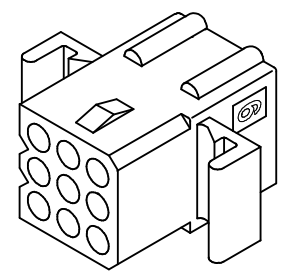
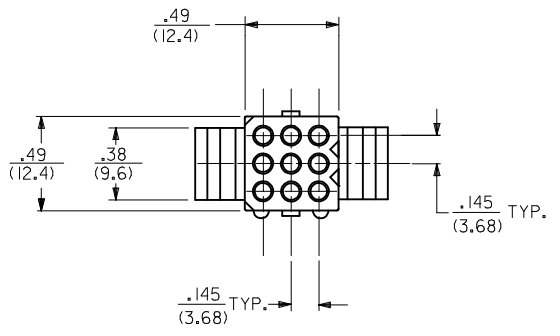
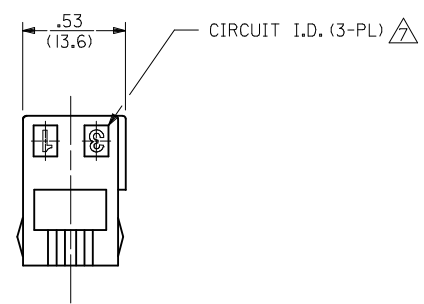
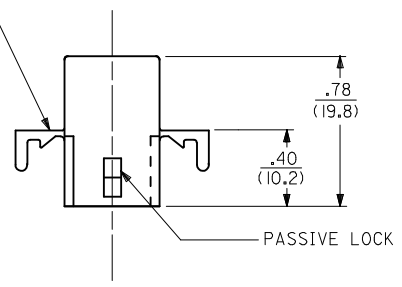
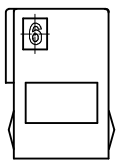


OPTIONAL MOUNTING EARS
SEE DETAIL 3 OR 4
FOR VERSIONS AVAILABLE



RECEPTACLE

| | | | | | | | | |
|--|-------------------------------|--|--|-----------------|--------------|---|------------------------|--|
| UPDATE REV. LEVEL EC NO: UCP2010-0585 DRWN: RBENES 2009/09/04 CHKD: 2009/09/10 APPR: FSMITH 2009/09/15 | QUALITY SYMBOLS ▽=0 ▽=0 | GENERAL TOLERANCES (UNLESS SPECIFIED) | | DIMENSION STYLE | SCALE | DESIGN UNITS | THIRD ANGLE PROJECTION | |
| | | | | IN/MM | 1:1 | INCH | | |
| | | | | DRAWN BY | DATE | TITLE | | |
| | | | | CHECKED BY | DATE | .062/(1.57) HOUSINGS, PLUG AND RECEPTACLE, 9 CKT., .145/(3.68) CTRS | | |
| | | | | APPROVED BY | DATE | MOLEX MOLEX INCORPORATED | | |
| REV | DESCRIPTION | ANGULAR ±1/2° | | MATERIAL NO. | DOCUMENT NO. | SHEET NO. | | |
| 5 | | DRAFT WHERE APPLICABLE MUST REMAIN WITHIN DIMENSIONS | | SEE CHART | | SD-1625-9* | 2 OF 3 | |
| | | THIS DRAWING CONTAINS INFORMATION THAT IS PROPRIETARY TO MOLEX INCORPORATED AND SHOULD NOT BE USED WITHOUT WRITTEN PERMISSION | | | | | | |

| PLUG | |
|------------|-----------------|
| PART NO. | ENG. NO. |
| 03-06-2091 | 1625-9P |
| 03-06-2092 | 1625-9P1 |
| 23-06-2091 | 1625-9P-C |
| 23-06-2092 | 1625-9P1-C |
| 04-06-6091 | 1625-9P1-B |
| 03-06-7091 | 1625-9PBK |
| 03-06-7092 | 1625-9PIBK |
| | OBSOLETE |

| RECEPTACLE | |
|------------|------------|
| PART NO. | ENG. NO. |
| 03-06-1091 | 1625-9R |
| 03-06-1092 | 1625-9R1 |
| 23-06-1091 | 1625-9R-C |
| 23-06-1092 | 1625-9R1-C |
| 03-06-6091 | 1625-9RBK |
| 03-06-6092 | 1625-9RIBK |
| 50-36-1871 | 1625-9R4 |
| 50-36-1872 | 1625-9R4-C |

LEGEND:

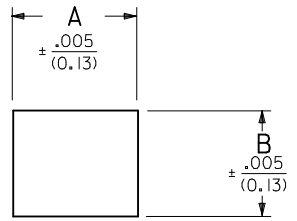
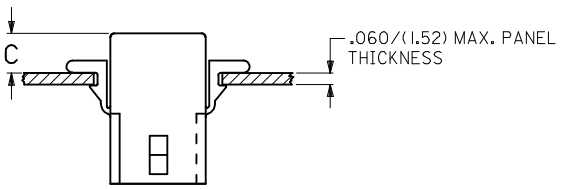
1625-****-*

CIRCUIT SIZE
P = PLUG
R = RECEPTACLE

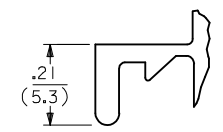
MOUNTING EAR & DETENT COMBINATIONS:
BLANK=PLUG OR RECEPTACLE WITH STANDARD EARS
1=PLUG OR RECEPTACLE WITHOUT EARS
4=PLUG OR RECEPTACLE WITH PREBENT EARS

BLANK = NATURAL COLOR
AM = AMBER BK = BLACK BU = BLUE
BN = BROWN GY = GRAY GN = GREEN
OR = ORANGE RD = RED YW = YELLOW

MATERIAL: A=MATERIAL CODE A
B=MATERIAL CODE B
C=MATERIAL CODE C



| RECEP. | .650 (16.51) | .552 (14.02) | .21 (5.3) | .22 (5.6) |
|--------|-----------------|-----------------|--------------------------|-------------------------|
| PLUG | .752 (19.10) | .615 (15.62) | .20 (5.1) | .21 (5.3) |
| PART | DIM. A | DIM. B | DIM. C (STANDARD EAR) | DIM. C (PREBENT EAR) |

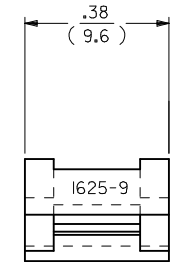


DETAIL 3
STANDARD MOUNTING EAR
(SCALE 4:1)

RECOMMENDED HOLE PATTERN

NOTES:

- MATERIAL CODES:
A-NYLON TYPE 6/6, 94V-2
B-NYLON TYPE 6/6, 94V-0
C-POLYPROPYLENE, 94V-0
 - FINISH: NONE
 - PRODUCT SPECIFICATION: PS-02-06
 - PACKAGING SPECIFICATION: PK-1625-001
 - HOUSINGS OF USE WITH MOLEX .062 DIAMETER TERMINALS.
- △ SOME PARTS MAY HAVE THIS CORNER CHAMFERED.
- △ ETCHED CIRCUIT I.D. NUMBERS ON HOUSING MAY OR MAY NOT BE PRESENT.
- PARTS CONFORM TO CLASS B REQUIREMENTS OF COSMETIC SPECIFICATION PS-45499-002.



DETAIL 4
PREBENT MOUNTING EAR
(SCALE 4:1)

| | | | | | | | | | |
|---|-------------------------------|---|---|---------------------------------|---------------------|---|-----------------------------------|----------------------------|--|
| RE-INSTATE 1625-9R EC NO: UCP2010-0585 DRWN:RBENES 2009/09/04 CHKD:JBELL 2009/09/10 APPR:FSMITH 2009/09/15 | QUALITY SYMBOLS ▽=0 ▽=0 | GENERAL TOLERANCES (UNLESS SPECIFIED) | | DIMENSION STYLE IN/MM | SCALE 1:1 | DESIGN UNITS INCH | THIRD ANGLE PROJECTION | | |
| | | 4 PLACES ± --- ± --- 3 PLACES ± --- ± .010 2 PLACES ± 0.25 ± .014 1 PLACE ± 0.36 ± --- | mm INCH ± --- ± --- ± .010 ± .014 ± 0.25 ± .014 ± --- ± --- | DRAWN BY JJS | DATE 1988/02/12 | TITLE .062/(1.57) HOUSINGS, PLUG AND RECEPTACLE, 9 CKT., .145/(3.68) CTRS | | | |
| | | ANGULAR ± 1 ° | | CHECKED BY RW | DATE 1988/02/12 | MOLEX INCORPORATED | | | |
| | | DRAFT WHERE APPLICABLE MUST REMAIN WITHIN DIMENSIONS | | APPROVED BY RAS | DATE 1988/02/12 | MATERIAL NO. SEE CHART | DOCUMENT NO. SD-1625-9* | SHEET NO. 3 OF 3 | |

THIS DRAWING CONTAINS INFORMATION THAT IS PROPRIETARY TO MOLEX INCORPORATED AND SHOULD NOT BE USED WITHOUT WRITTEN PERMISSION

X-ON Electronics

Largest Supplier of Electrical and Electronic Components

Click to view similar products for [Tool Kits & Cases](#) category:

Click to view products by [Molex](#) manufacturer:

Other Similar products are found below :

[AM3310HLX23GXS](#) [229668-1](#) [217434-1](#) [QB-78K0RKE3L-TB](#) [4263](#) [1055420-1](#) [11-18-3023](#) [63860-8170](#) [856600-2](#) [11-40-3247](#) [63883-2870](#) [63866-1070](#) [63865-5170](#) [63863-5070](#) [63892-7370](#) [11-18-3209](#) [63860-4070](#) [63881-0970](#) [A0403641](#) [11-18-3040](#) [63865-2070](#) [63910-1470](#) [11-11-0387](#) [63850-7470](#) [11-18-3201](#) [63910-7570](#) [FM 0501 146](#) [63883-0670](#) [63830-0070](#) [63901-2670](#) [11-18-3147](#) [11-18-3079](#) [63883-2670](#) [63900-1770](#) [11-18-3190](#) [63851-1070](#) [63912-4770](#) [63911-5270](#) [63895-1070](#) [63860-1470](#) [63850-6070](#) [1-69411-3](#) [63852-9270](#) [63802-6270](#) [11-18-3202](#) [63852-9170](#) [63850-1070](#) [63830-0170](#) [11-18-3016](#) [63910-2870](#)